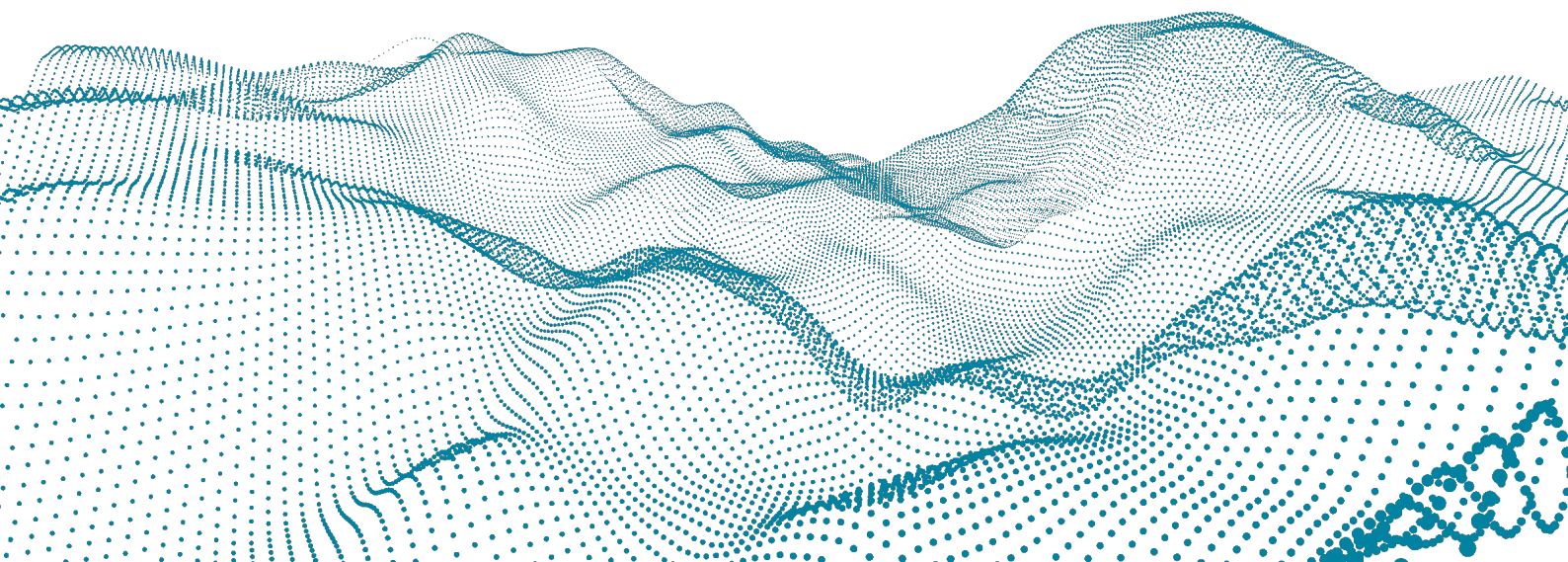


# roboception

Roboception GmbH | January 2025

## **rc\_visard NG** 3D Stereo Sensor

ASSEMBLY AND OPERATING MANUAL



## Revisions

This product may be modified without notice, when necessary, due to product improvements, modifications, or changes in specifications. If such modification is made, the manual will also be revised; see revision information.

**DOCUMENTATION REVISION** 25.01.1 Jan 30, 2025

Applicable to *rc\_visard NG* firmware 25.01.x

### MANUFACTURER

#### Roboception GmbH

Kaflerstrasse 2

81241 Munich

Germany

**CUSTOMER SUPPORT:** [support@roboception.de](mailto:support@roboception.de) | +49 89 889 50 79-0 (09:00-17:00 CET)

**Please read the operating manual in full and keep it with the product.**

### COPYRIGHT

This manual and the product it describes are protected by copyright. Unless permitted by German intellectual property and related rights legislation, any use and circulation of this content requires the prior consent of Roboception or the individual owner of the rights. This manual and the product it describes therefore, may not be reproduced in whole or in part, whether for sale or not, without prior written consent from Roboception.

Information provided in this document is believed to be accurate and reliable. However, Roboception assumes no responsibility for its use.

Differences may exist between the manual and the product if the product has been modified after the manual's edition date. The information contained in this document is subject to change without notice.

# Contents

<b>1</b>	<b>Introduction</b>	<b>5</b>
1.1	Overview	5
1.2	Warranty	7
1.3	Applicable standards	8
1.3.1	Interfaces	8
1.3.2	Approvals	8
1.3.3	Standards	8
1.4	Information on disposal	9
1.5	Glossary	10
<b>2</b>	<b>Safety</b>	<b>12</b>
2.1	General warnings	12
2.2	Intended use	13
<b>3</b>	<b>Hardware specification</b>	<b>14</b>
3.1	Scope of delivery	14
3.2	Technical specification	15
3.3	Environmental and operating conditions	17
3.4	Power-supply specifications	17
3.5	Wiring	18
3.6	Mechanical interface	20
3.7	Coordinate frames	21
<b>4</b>	<b>Installation</b>	<b>23</b>
4.1	Software license	23
4.2	Power up	23
4.3	Discovery of <i>rc_visard NG</i> devices	23
4.3.1	Resetting configuration	24
4.4	Network configuration	25
4.4.1	Host name	26
4.4.2	Automatic configuration (factory default)	26
4.4.3	Manual configuration	27
<b>5</b>	<b>Measurement principles</b>	<b>28</b>
5.1	Stereo vision	28
<b>6</b>	<b>Software modules</b>	<b>30</b>
6.1	3D camera modules	30
6.1.1	Camera	30
6.1.2	Stereo matching	41
6.2	Detection & Measure modules	53
6.2.1	Measure	53
6.2.2	LoadCarrier	58
6.2.3	TagDetect	72
6.2.4	ItemPick	84
6.2.5	BoxPick	102

6.2.6	SilhouetteMatch . . . . .	131
6.2.7	CADMatch . . . . .	168
6.3	Configuration modules . . . . .	201
6.3.1	Hand-eye calibration . . . . .	202
6.3.2	CollisionCheck . . . . .	224
6.3.3	Camera calibration . . . . .	233
6.3.4	IO and Projector Control . . . . .	240
6.4	Database modules . . . . .	243
6.4.1	LoadCarrierDB . . . . .	243
6.4.2	RoiDB . . . . .	251
6.4.3	GripperDB . . . . .	258
<b>7</b>	<b>Interfaces</b>	<b>269</b>
7.1	Web GUI . . . . .	269
7.1.1	Accessing the Web GUI . . . . .	269
7.1.2	Exploring the Web GUI . . . . .	270
7.1.3	Web GUI access control . . . . .	270
7.1.4	Downloading camera images . . . . .	271
7.1.5	Downloading depth images and point clouds . . . . .	271
7.2	GigE Vision 2.0/GenICam image interface . . . . .	272
7.2.1	GigE Vision ports . . . . .	272
7.2.2	Important GenICam parameters . . . . .	272
7.2.3	Important standard GenICam features . . . . .	273
7.2.4	Custom GenICam features of the <i>rc_visard NG</i> . . . . .	277
7.2.5	Chunk data . . . . .	280
7.2.6	Provided image streams . . . . .	280
7.2.7	Image stream conversions . . . . .	281
7.3	REST-API interface . . . . .	282
7.3.1	General API structure . . . . .	282
7.3.2	Available resources and requests . . . . .	284
7.3.3	Data type definitions . . . . .	317
7.3.4	Swagger UI . . . . .	332
7.4	KUKA Ethernet KRL Interface . . . . .	336
7.4.1	Ethernet connection configuration . . . . .	336
7.4.2	Generic XML structure . . . . .	337
7.4.3	Services . . . . .	338
7.4.4	Parameters . . . . .	342
7.4.5	Example applications . . . . .	343
7.4.6	Troubleshooting . . . . .	343
7.5	gRPC image stream interface . . . . .	344
7.5.1	gRPC service definition . . . . .	344
7.5.2	Image stream conversions . . . . .	346
7.5.3	Example client . . . . .	346
7.6	OPC UA interface . . . . .	346
7.7	Time synchronization . . . . .	347
7.7.1	NTP . . . . .	347
7.7.2	PTP . . . . .	347
7.7.3	Setting time manually . . . . .	347
<b>8</b>	<b>UserSpace</b>	<b>348</b>
8.1	Configuration . . . . .	348
8.1.1	Configure UserSpace via the Web GUI . . . . .	348
8.2	Configure HTTP proxy . . . . .	348
8.3	View running applications . . . . .	349
8.4	Network access to UserSpace applications . . . . .	349
8.5	Interfaces . . . . .	349
8.6	Restrictions . . . . .	349



<b>9</b>	<b>Maintenance</b>	<b>350</b>
9.1	Lens cleaning	350
9.2	Camera calibration	350
9.3	Creating and restoring backups of settings	350
9.4	Updating the firmware	351
9.5	Restoring the previous firmware version	352
9.6	Rebooting the <i>rc_visard NG</i>	352
9.7	Updating the software license	353
9.8	Downloading log files	353
<b>10</b>	<b>Accessories</b>	<b>354</b>
10.1	Connectivity kit	354
10.2	Wiring	354
10.2.1	Ethernet connections	354
10.2.2	Power connections	355
10.2.3	Power supplies	355
10.3	Spare parts	355
<b>11</b>	<b>Troubleshooting</b>	<b>356</b>
11.1	LED colors	356
11.2	Hardware issues	356
11.3	Connectivity issues	357
11.4	Camera-image issues	357
11.5	Depth/Disparity, error, and confidence image issues	358
11.6	GigE Vision/GenICam issues	359
<b>12</b>	<b>Contact</b>	<b>360</b>
12.1	Support	360
12.2	Downloads	360
12.3	Address	360
<b>13</b>	<b>Appendix</b>	<b>361</b>
13.1	Pose formats	361
13.1.1	Rotation matrix and translation vector	362
13.1.2	ABB pose format	362
13.1.3	FANUC XYZ-WPR format	362
13.1.4	Franka Emika Pose Format	363
13.1.5	Fruitcore HORST pose format	365
13.1.6	Kawasaki XYZ-OAT format	365
13.1.7	KUKA XYZ-ABC format	366
13.1.8	Mitsubishi XYZ-ABC format	366
13.1.9	Universal Robots pose format	367
13.1.10	Yaskawa Pose Format	368
	<b>HTTP Routing Table</b>	<b>370</b>
	<b>Index</b>	<b>371</b>

# 1 Introduction

## Indications in the manual

To prevent damage to the equipment and ensure the user's safety, this manual indicates each precaution related to safety with *Warning*. Supplementary information is provided as a *Note*.

**Warning:** Warnings in this manual indicate procedures and actions that must be observed to avoid danger of injury to the operator/user, or damage to the equipment. Software-related warnings indicate procedures that must be observed to avoid malfunctions or unexpected behavior of the software.

**Note:** Notes are used in this manual to indicate supplementary relevant information.

## 1.1 Overview

The 3D sensor *rc\_visard NG* is an IP54-protected stereo-camera with on-board computing capabilities.

The *rc\_visard NG* provides real-time camera images and depth images, which can be used to compute 3D point clouds. Additionally, it provides confidence and error images as quality measures for each image acquisition. It offers an intuitive web UI (user interface) and a standardized GenICam interface, making it compatible with all major image processing libraries.

With optionally available software modules the *rc\_visard NG* provides out-of-the-box solutions for object detection and robotic pick-and-place applications.

The *rc\_visard NG*'s intuitive calibration, configuration, and use enable 3D vision for everyone.



Fig. 1.1: *rc\_visard NG* 160

The terms “sensor” and “*rc\_visard NG*” used throughout the manual all refer to the Roboception *rc\_visard NG*.

**Note:** This manual uses the metric system and mostly uses the units meter and millimeter. Unless otherwise specified, all dimensions in technical drawings are in millimeters.

## 1.2 Warranty

Any changes or modifications to the hard- and software not expressly approved by Roboception could void the user's warranty and guarantee rights.

**Warning:** The *rc\_visard NG* utilizes complex hardware and software technology that may behave in a way not intended by the user. The purchaser must design its application to ensure that any failure or the *rc\_visard NG* does not cause personal injury, property damage, or other losses.

**Warning:** Do not attempt to take apart, open, service, or modify the *rc\_visard NG*. Doing so could present the risk of electric shock or other hazard. Any evidence of any attempt to open and/or modify the device, including any peeling, puncturing, or removal of any of the labels, will void the Limited Warranty.

**Warning:** CAUTION: to comply with the European CE requirement, all cables used to connect this device must be shielded and grounded. Operation with incorrect cables may result in interference with other devices or undesired effects of the product.

**Note:** This product may not be treated as household waste. By ensuring this product is disposed of correctly, you will help to protect the environment. For more detailed information about the recycling of this product, please contact your local authority, your household waste disposal service provider, or the product's supplier.

## 1.3 Applicable standards

### 1.3.1 Interfaces

The *rc\_visard NG* supports the following interface standards:

#### GEN<i>i</i>CAM

The Generic Interface for Cameras standard is the basis for plug & play handling of cameras and devices.



GigE Vision® is an interface standard for transmitting high-speed video and related control data over Ethernet networks.

### 1.3.2 Approvals

The *rc\_visard NG* has received the following approvals:



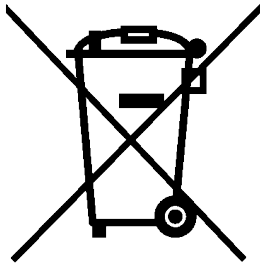
EC Declaration of Conformity

### 1.3.3 Standards

The *rc\_visard NG* has been tested to be in compliance with the following standards:

- EN 55032:2015/A11:2020
- EN 55035:2017
- EN 61000-3-2:2014 / IEC 61000-3-2:2018
- EN 61000-3-3:2013 / IEC 61000-3-3:2013+AMD1:2017
- EN IEC 61000-6-1:2019 / IEC 61000-6-1:2016
- EN 61000-6-2:2005/AC:2005 / IEC 61000-6-2:2016
- EN IEC 61000-6-3:2021 / IEC 61000-6-3:2020
- EN 61000-6-4:2007/A1:2011 / IEC 61000-6-4:2018
- compliant with FCC 47 CFR Part 15B and ICES-003:2021 and 2020
- EN IEC 63000:2018 / IEC 63000:2016
- IP54 according to DIN EN 60529: 2014-09+AMD1:2017-02+AMD2:2019-06

## 1.4 Information on disposal



### 1. Disposal of Waste Electrical & Electronic Equipment

This symbol on the product(s) and / or accompanying documents means that used electrical and electronic products should not be mixed with general household waste. For proper treatment, recovery and recycling, please contact your supplier or the manufacturer. Disposing of this product correctly will help save valuable resources and prevent any potential negative effects on human health and the environment, which could otherwise arise from inappropriate waste handling.

### 2. Removal of batteries

If the products contain batteries and accumulators that can be removed from the product without destruction, these must be removed before disposal and disposed of separately as batteries.

The following batteries or accumulators are contained in the rc\_visard: None

### 3. Options for returning old equipment

Owners of old devices can return them to the manufacturer to ensure proper disposal.

Please [contact support](#) (Section 12) about returning the device for disposal.

### 4. Data protection

End users of Electrical & Electronic Equipment are responsible for deleting personal data on the waste equipment to be disposed of.

### 5. WEEE registration number

Roboception is registered under the registration number DE 33323989 at the stiftung elektroaltgeräte register, Nordostpark 72, 90411 Nuremberg, Germany, as a producer of electrical and/or electronic equipment.

### 6. Collection and recovery quotas

According to the WEEE Directive, EU member states are obliged to collect data on waste electrical and electronic equipment and to transmit this data to the European Commission. Further information can be found on the German Ministry for the Environment website.

### Information on Disposal outside the European Union

This symbol is valid only in the European Union. If you wish to discard this product please contact your local authorities or dealer and ask for the correct method of disposal.

## 1.5 Glossary

**DHCP** The Dynamic Host Configuration Protocol (DHCP) is used to automatically assign an *IP* address to a network device. Some DHCP servers only accept known devices. In this case, an administrator needs to configure the DHCP server with the fixed *MAC address* of a device.

### DNS

**mDNS** The Domain Name Server (DNS) manages the host names and *IP* addresses of all network devices. It is responsible for resolving the host name into the IP address for communication with a device. A DNS can be configured to get this information automatically when a device appears on a network or manually by an administrator. In contrast, *multicast DNS* (mDNS) works without a central server by querying all devices on a local network each time a host name needs to be resolved. mDNS is available by default on Linux and Mac operating systems and is used when '.local' is appended to a host name.

**DOF** The Degrees Of Freedom (DOF) are the number of independent parameters for translation and rotation. In 3D space, 6 DOF (i.e. three for translation and three rotation) are sufficient to describe an arbitrary position and orientation.

**GenICam** GenICam is a generic standard interface for cameras. It serves as a unified interface around other standards such as *GigE Vision*, Camera Link, USB, etc. See <http://genicam.org> for more information.

**GigE** Gigabit Ethernet (GigE) is a networking technology for transmitting data at one gigabit per second.

**GigE Vision** GigE Vision® is a standard for configuring cameras and transmitting images over a *GigE* network link. See <http://gigevision.com> for more information.

### IP

**IP address** The Internet Protocol (IP) is a standard for sending data between devices in a computer network. Every device requires an IP address, which must be unique in the network. The IP address can be configured by *DHCP*, *Link-Local*, or manually.

**Link-Local** Link-Local is a technology where network devices associate themselves with an *IP address* from the 169.254.0.0/16 IP range and check if it is unique in the local network. Link-Local can be used if *DHCP* is unavailable and manual IP configuration is not or cannot be done. Link-Local is especially useful for connecting a network device directly to a host computer. By default, Windows 10 reverts automatically to Link-Local if DHCP is unavailable. Under Linux, Link-Local must be enabled manually in the network manager.

**MAC address** The Media Access Control (MAC) address is a unique, persistent address for networking devices. It is also known as the hardware address of a device. In contrast to the *IP address*, the MAC address is (normally) permanently given to a device and does not change.

**NTP** The Network Time Protocol (NTP) is a TCP/IP protocol for synchronizing time over a network. Basically a client requests the current time from a server, and uses it to set its own clock.

**SDK** A Software Development Kit (SDK) is a collection of software development tools or a collection of software components.

**SGM** SGM stands for Semi-Global Matching and is a state-of-the-art stereo matching algorithm which offers short run times and a great accuracy, especially at object borders, fine structures, and in weakly textured areas.

**TCP** The Tool Center Point (TCP) is the position of the tool at the end effector of a robot. The position and orientation of the TCP determines the position and orientation of the tool in 3D space.

### URI

**URL** A Uniform Resource Identifier (URI) is a string of characters identifying resources of the *rc\_visard NG's* REST-API. An example of such a URI is `/nodes/rc_camera/parameters/fps`, which points to the `fps` run-time parameter of the stereo camera module.

A Uniform Resource Locator (URL) additionally specifies the full network location and protocol, i.e., an exemplary URL to locate the above resource would be `https://<ip>/api/v1/nodes/rc_camera/parameters/fps` where `<ip>` refers to the *rc\_visard NG's IP address*.

**XYZ+quaternion** Format to represent a pose. See *Rotation matrix and translation vector* (Section 13.1.1) for its definition.

**XYZABC** Format to represent a pose. See *KUKA XYZ-ABC format* (Section 13.1.7) for its definition.



## 2 Safety

**Warning:** The operator must have read and understood all of the instructions in this manual before handling the *rc\_visard NG* product.

**Note:** The term “operator” refers to anyone responsible for any of the following tasks performed in conjunction with *rc\_visard NG*:

- Installation
- Maintenance
- Inspection
- Calibration
- Programming
- Decommissioning

This manual explains the *rc\_visard NG*'s various components and general operations regarding the product's whole life-cycle, from installation through operation to decommissioning.

The drawings and photos in this documentation are representative examples; differences may exist between them and the delivered product.

### 2.1 General warnings

**Note:** Any use of the *rc\_visard NG* in noncompliance with these warnings is inappropriate and may cause injury or damage as well as void the warranty.

**Warning:**

- The *rc\_visard NG* needs to be properly mounted before use.
- All cable sets need to be secured to the *rc\_visard NG* and the mount.
- Cords must be at most 30 m long.
- An appropriate DC power source must supply power to the *rc\_visard NG*.
- Each *rc\_visard NG* must be connected to a separate power supply.
- The *rc\_visard NG*'s housing must be grounded.
- The *rc\_visard NG*'s and any related equipment's safety guidelines must always be satisfied.
- The *rc\_visard NG* does not fall under the purview of the machinery, low voltage, or medical directives.

**Risk assessment and final application:**

The *rc\_visard NG* may be used on a robot. Robot, *rc\_visard NG*, and any other equipment used in the final application must be evaluated with a risk assessment. The system integrator's duty is to ensure respect for all local safety measures and regulations. Depending on the application, there may be risks that need additional protection/safety measures.

## 2.2 Intended use

The *rc\_visard NG* is intended for data acquisition (e.g., images, disparity images) in stationary and mobile robotic applications. The *rc\_visard NG* is intended for installation on a robot, automated machinery, mobile platform, or stationary equipment. It can also be used for data acquisition in other applications.

**Warning:** The *rc\_visard NG* is **NOT** intended for safety critical applications.

The GigE Vision® industry standard used by the *rc\_visard NG* does not support authentication and encryption. All data from and to the device is transmitted without authentication and encryption and could be monitored or manipulated by a third party. It is the operator's responsibility to connect the *rc\_visard NG* only to a secured internal network.

**Warning:** The *rc\_visard NG* must be connected to secured internal networks.

The *rc\_visard NG* may be used only within the scope of its technical specification. Any other use of the product is deemed unintended use. Roboception will not be liable for any damages resulting from any improper or unintended use.

**Warning:** Always comply with local and/or national laws, regulations and directives on automation safety and general machine safety.

## 3 Hardware specification

**Note:** The following hardware specifications are provided here as a general reference; differences with the product may exist.

### 3.1 Scope of delivery

Standard delivery for an *rc\_visard NG* includes the *rc\_visard NG* sensor and a quickstart guide only. The full manual is available in digital form and is always installed on the sensor, accessible through the *Web GUI* (Section 7.1), and available at <https://roboception.com/resources/knowledge-base/>.

**Note:** The following items are not included in the delivery unless otherwise specified:

- Couplings, adapters, mounts
- Power supply unit, cabling, and fuses
- Network cabling

Please refer to *Accessories* (Section 10) for suggested third-party cable vendors.

A connectivity kit can be purchased for the *rc\_visard NG*. It contains an M12 to RJ45 network cable, 24 V power supply, and a DC plug to M12 power adapter. Please refer to *Accessories* (Section 10) for details.

**Note:** The connectivity kit is intended only for initial setup, not for permanent installation in industrial environment.

The following picture shows the important parts of the *rc\_visard NG* which are referenced later in the documentation.

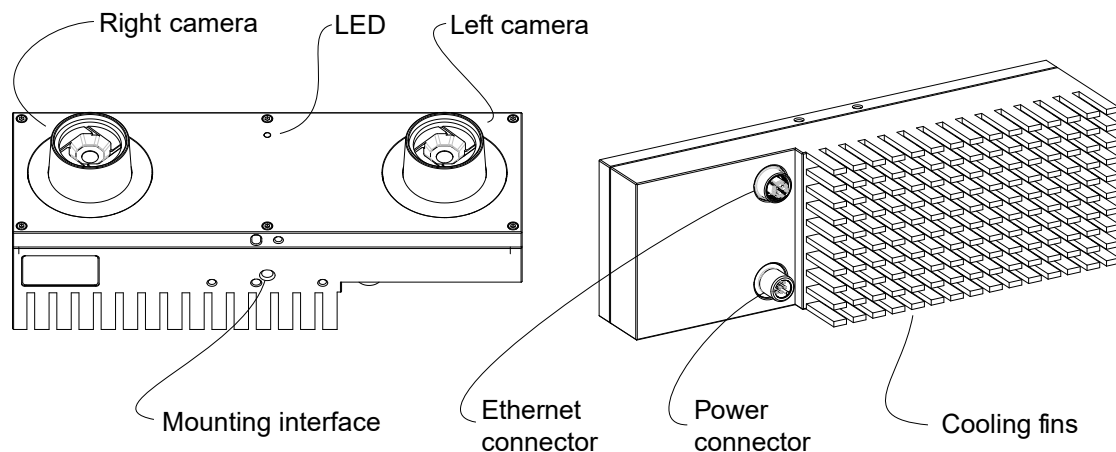


Fig. 3.1: Parts description

## 3.2 Technical specification

The technical specifications for the *rc\_visard NG* are given in [Table 3.1](#). The frame rate for computing the depth image in High resolution (720 x 540 pixel) is significantly higher when increasing the minimum distance to 1.2 meters.

Table 3.1: Technical specifications for the *rc\_visard NG*

	<i>rc_visard NG</i> 160-6
Image resolution	1440 x 1080 pixel, monochrome
Field of view	6 mm lens: Horizontal: 43°, Vertical: 33°
IR Cutoff	650 nm
Depth image (with Minimum Distance of 0.5 m)	1440 x 1080 pixel (Full) @ 3 Hz 720 x 540 pixel (High) @ 7 Hz 360 x 270 pixel (Medium) @ 25 Hz 240 x 180 pixel (Low) @ 25 Hz
Depth image (with Minimum Distance of 1.2 m)	1440 x 1080 pixel (Full) @ 3 Hz 720 x 540 pixel (High) @ 16 Hz 360 x 270 pixel (Medium) @ 25 Hz 240 x 180 pixel (Low) @ 25 Hz
Computing unit	Orin Nano 8GB
Power supply	18 V to 30 V
Cooling	Passive
Baseline	160 mm
Depth range	0.5 m to infinity
Size (W x H x L)	230 mm x 75 mm x 84 mm
Mass	0.965 kg

The resolutions and accuracies at different distances are given in the following table.

Table 3.2: Resolution and accuracy of the *rc\_visard NG* in millimeters with full resolution stereo matching and random dot projection on non-reflective and non-transparent objects.

	distance (mm)	<i>rc_visard NG</i> 160-6
lateral resolution (mm)	500	0.3
	1000	0.6
	2000	1.1
	3000	1.7
depth resolution (mm)	500	0.05
	1000	0.2
	2000	0.9
	3000	2.0
Average depth accuracy (mm)	500	0.2
	1000	0.9
	2000	3.5
	3000	7.8

The *rc\_visard NG* can be equipped with on-board software modules for additional features. These software modules can be ordered from the Roboception and require a license update.

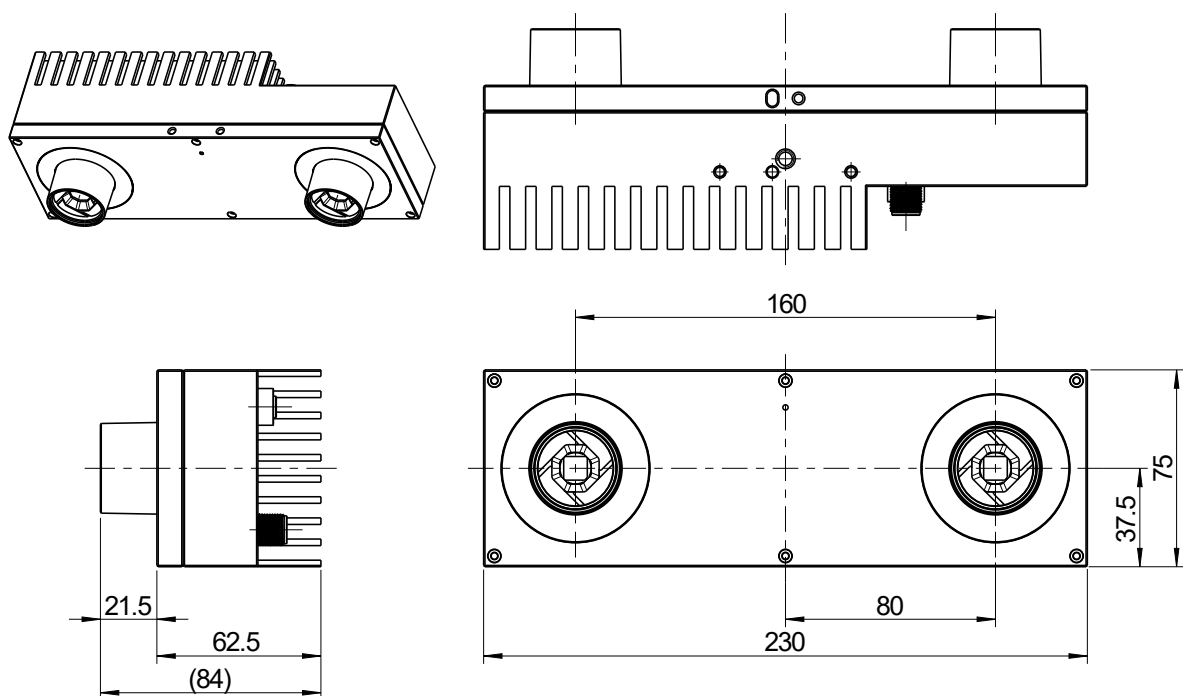


Fig. 3.2: Overall dimensions of the *rc\_visard NG* 160

CAD models of the *rc\_visard NG* can be downloaded from <http://www.roboception.com/download>. The CAD models are provided as-is, with no guarantee of correctness. When a material property of alu-

minum is assigned (density of  $2.76 \frac{\text{g}}{\text{cm}^3}$ ), the mass properties of the CAD model are within 5% of the actual product with respect to weight and center of mass, and within 10% with respect to moment of inertia.

### 3.3 Environmental and operating conditions

The *rc\_visard NG* is designed for industrial applications. Always respect the storage, transport, and operating environmental conditions outlined in [Table 3.3](#).

Table 3.3: Environmental conditions

	<i>rc_visard NG</i>
Storage/Transport temperature	-25 °C to 70 °C
Operating temperature	0 °C to 50 °C
Relative humidity (non condensing)	20 % to 80 %
Vibration	5 g
Shock	50 g
Protection class	IP54
Others	<ul style="list-style-type: none"> <li>• Free from corrosive liquids or gases</li> <li>• Free from explosive liquids or gases</li> <li>• Free from powerful electromagnetic interference</li> </ul>

The *rc\_visard NG* is designed for an operating temperature (surrounding environment) of 0 °C to 50 °C and relies on convective (passive) cooling. Unobstructed airflow, especially around the cooling fins, needs to be ensured during use. The *rc\_visard NG* should only be mounted using the provided mechanical mounting interface, and all parts of the housing must remain uncovered. A free space of at least 10 cm extending in all directions from the housing, and sufficient air exchange with the environment is required to ensure adequate cooling. Cooling fins must be free of dirt and other contamination.

The housing temperature depends on the processing load, sensor orientation, and surrounding environmental temperatures. When the sensor's exposed housing surfaces exceed 60°C, the LED at the front will turn from green to red.

**Warning:** For hand-guided applications, a heat-insulated handle should be attached to the sensor to reduce the risk of burn injuries due to skin exposure to surface temperatures exceeding 60°C.

### 3.4 Power-supply specifications

The *rc\_visard NG* needs to be supplied by a DC voltage source. The *rc\_visard NG*'s standard package doesn't include a DC power supply. The power supply contained in the connectivity kit may be used for initial setup. For permanent installation, it is the customer's responsibility to provide suitable DC power. Each *rc\_visard NG* must be connected to a separate power supply. Connection to domestic grid power is only allowed through a power supply certified as EN55011 Class B.

Table 3.4: Absolute maximum ratings for power supply

	<i>Min</i>	<i>Nominal</i>	<i>Max</i>
Supply voltage	18.0 V	24 V	30.0 V
Max power consumption			25 W
Overcurrent protection	Supply must be fuse-protected to a maximum of 2 A		

**Warning:** Exceeding maximum power rating values may lead to damage of the *rc\_visard NG*, power supply, and connected equipment.

**Warning:** A separate power supply must power each *rc\_visard NG*.

**Warning:** Connection to domestic grid power is allowed through a power supply certified as EN55011 Class B only.

### 3.5 Wiring

Cables are not provided with the *rc\_visard NG* standard package. It is the customer's responsibility to obtain the proper cabling. [Accessories](#) (Section 10) provides an overview of suggested components.

**Warning:** Proper cable management is mandatory. Cabling must always be secured to the *rc\_visard NG* mount with a strain-relief clamp so that no forces due to cable movements are exerted on the *rc\_visard NG*'s M12 connectors. Enough slack needs to be provided to allow for full range of movement of the *rc\_visard NG* without straining the cable. The cable's minimum bend radius needs to be observed.

The *rc\_visard NG* provides an industrial 8-pin A-coded M12 socket connector for Ethernet connectivity and an 8-pin A-coded M12 plug connector for power and GPIO connectivity. Both connectors are located at the back. The location of both connectors on the *rc\_visard NG* is shown in [Fig. 3.3](#).

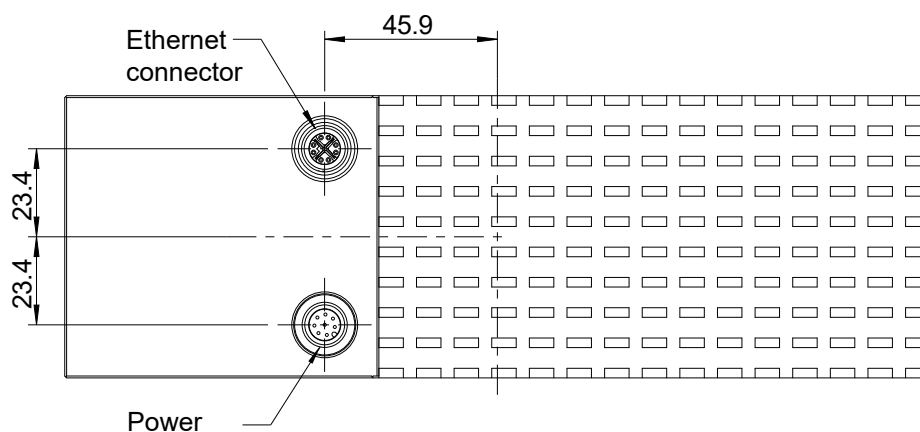


Fig. 3.3: Locations of the electrical connections for the *rc\_visard NG*, with Ethernet on top and power on the bottom

Connectors are rotated so that standard 90° angled connectors will exit horizontally, away from the camera (away from the cooling fins).

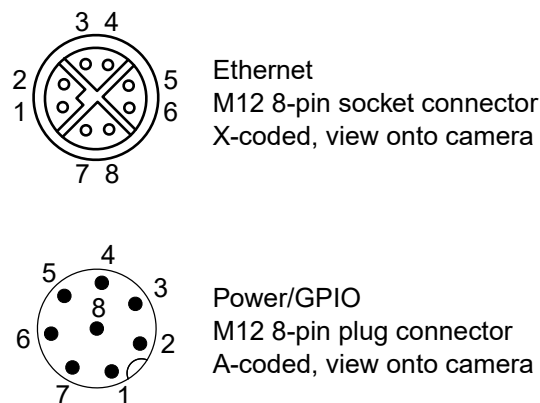


Fig. 3.4: Pin positions for power and Ethernet connector

Pin assignments for the Ethernet connector are given in Fig. 3.5.

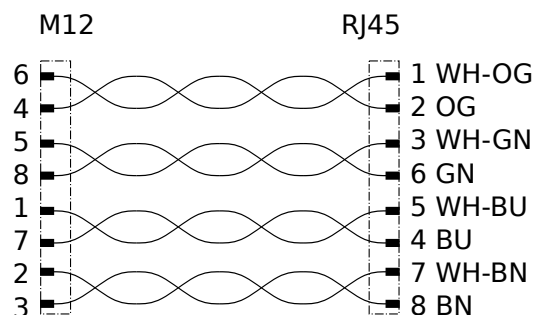


Fig. 3.5: Pin assignments for M12 to Ethernet cabling

Pin assignments for the power connector are given in Table 3.5.

Table 3.5: Pin assignments for the power connector

Pin	Assignment
1	GPIO In 2
2	Power
3	GPIO In 1
4	GPIO Gnd
5	GPIO Vcc
6	GPIO Out 1 (image exposure)
7	Gnd
8	GPIO Out 2

GPIOs are decoupled by photocoupler. *GPIO Out 1* by default provides an exposure sync signal with a logic high level for the duration of the image exposure. All GPIOs can be controlled via the IOControl module (*IO and Projector Control*, Section 6.3.4). Pins of unused GPIOs should be left floating.

**Warning:** It is especially important that during the boot phase *GPIO In 1* is left floating or remains low. The *rc\_visard NG* will not boot if the pin is high during boot time.



GPIO circuitry and specifications are shown in Fig. 3.6. The maximum rated voltage for *GPIO In* and *GPIO Vcc* is 30 V.

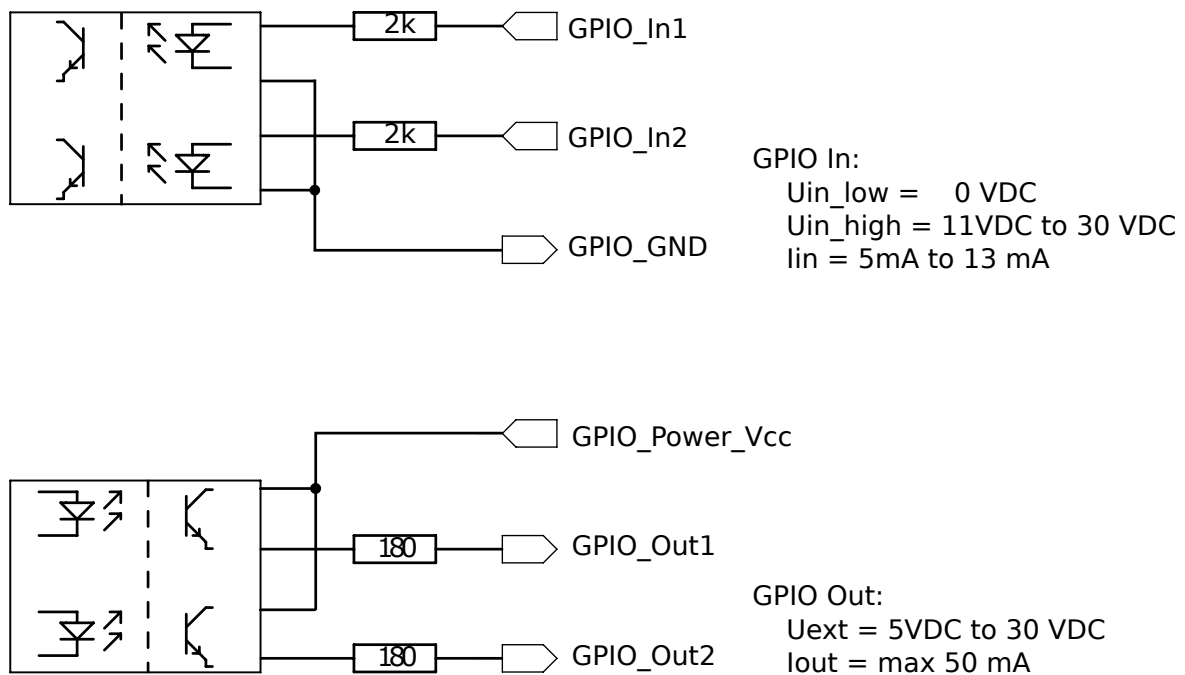


Fig. 3.6: GPIO circuitry and specifications – do not connect signals higher than 30 V

**Warning:** Do not connect signals with voltages higher than 30 V to the *rc\_visard NG*.

## 3.6 Mechanical interface

The *rc\_visard NG* offers a mounting-point at the bottom.

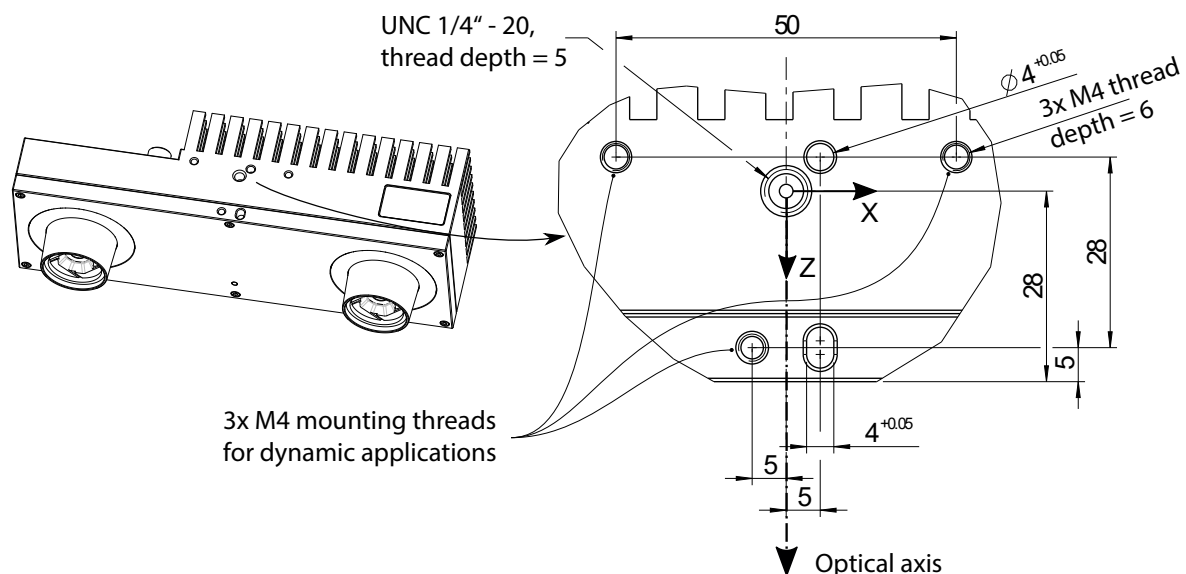


Fig. 3.7: Mounting-point for connecting the *rc\_visard NG* to robots or other mountings

For troubleshooting and static applications, the sensor may be mounted using the standardized tripod thread (UNC 1/4"-20) indicated at the coordinate-frame origin. For dynamic applications such as mounting on a robotic arm, the sensor must be mounted with three M4 (metric standard) 8.8 machine screws tightened to 2.5 Nm and secured with a medium-strength threadlocking adhesive such as Loctite 243. Maximum thread depth is 6 mm. The two 4 mm diameter holes may be used for positioning pins (ISO 2338 4 m6) to ensure precise repositioning of the sensor.

**Warning:** For dynamic applications, the *rc\_visard NG* must be mounted with three M4 8.8 machine screws tightened to 2.5 Nm torque and secured with threadlocking adhesive. Do not use high-strength bolts. The engaged thread depth must be at least 5 mm.

## 3.7 Coordinate frames

The *rc\_visard NG*'s coordinate-frame origin is defined as the exit pupil of the left camera lens. This frame is called sensor coordinate frame or camera coordinate frame. An approximate location for the *rc\_visard NG* is shown in the next image.

The mounting-point frame for the *rc\_visard NG* is defined to be at the bottom, centered in the tripod thread, with orientation identical to that of the sensor's coordinate frame.

Fig. 3.8 shows approximate offsets.

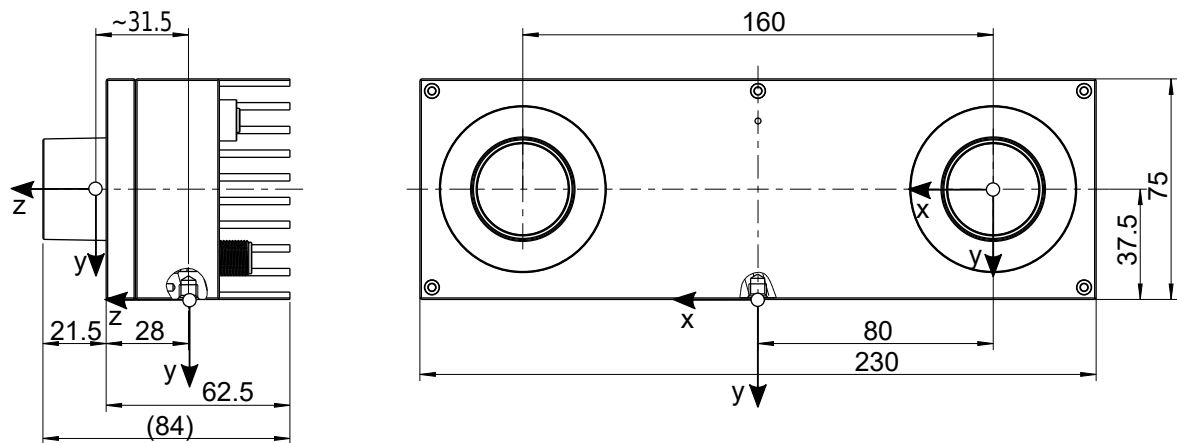


Fig. 3.8: Approximate locations of sensor/camera coordinate frame (inside left lens) and mounting-point frame (at tripod thread) for the *rc\_visard NG 160*

**Note:** The correct offset between the sensor/camera frame and a robot coordinate frame can be calibrated through the [hand-eye-calibration procedure](#) (Section 6.3.1).

## 4 Installation

**Warning:** The instructions on [Safety](#) (Section 2) related to the *rc\_visard NG* must be read and understood prior to installation.

The *rc\_visard NG* offers a Gigabit Ethernet interface for connecting the device to a computer network. All communications to and from the device are performed via this interface. The *rc\_visard NG* has an on-board computing resource that requires booting time after powering up the device.

### 4.1 Software license

Every *rc\_visard NG* device ships with a pre-installed license file for licensing and protection of the installed software packages. The license is bound to that specific *rc\_visard NG* device and cannot be used or transferred to other devices.

The functionality of the *rc\_visard NG* can be enhanced anytime by [upgrading the license](#) (Section 9.7), e.g., for optionally available software modules.

**Note:** The *rc\_visard NG* requires to be rebooted whenever the installed licenses have changed.

**Note:** The license status can be retrieved via the *rc\_visard NG*'s various interfaces such as the [System → Firmware & License](#) page of the [Web GUI](#) (Section 7.1).

### 4.2 Power up

**Note:** Always fully connect and tighten the M12 power connector on the *rc\_visard NG* before turning on the power supply.

After connecting the *rc\_visard NG* to the power, the LED on the front of the device should immediately illuminate. During the device's boot process, the LED will change color and will eventually turn green. This signals that all processes are up and running.

If the network is not plugged in or the network is not properly configured, then the LED will flash red every 5 seconds. In this case, the device's network configuration should be verified. See [LED colors](#) (Section 11.1) for more information on the LED color codes.

### 4.3 Discovery of *rc\_visard NG* devices

Roboception *rc\_visard NG* devices that are powered up and connected to the local network or directly to a computer can be found using the standard GigE Vision® discovery mechanism.

Roboception offers the open-source tool `rcdiscover-gui`, which can be downloaded free of charge from <https://github.com/roboception/rcdiscover/releases> for Windows and Linux. The tool's Windows version consists of a single executable for Windows 7, 10 and 11, which can be executed without installation. For Linux an installation package is available for Ubuntu.

At startup, all available GigE Vision® devices – including *rc\_visard NG* devices – are listed with their names, serial numbers, current IP addresses, and unique MAC addresses. The discovery tool finds all devices reachable by global broadcasts. Misconfigured devices that are located in different subnets than the application host may also be listed. A tickmark in the discovery tool indicates whether devices are actually reachable via a web browser.

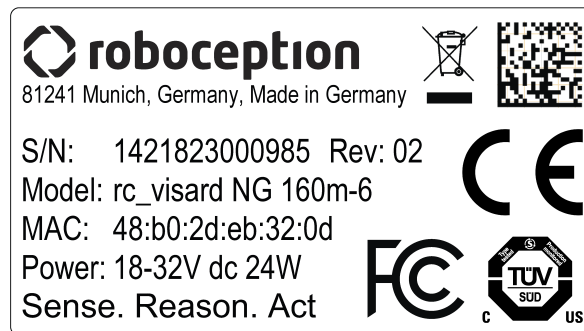


Fig. 4.1: Label on the *rc\_visard NG* indicating model, serial number and MAC address

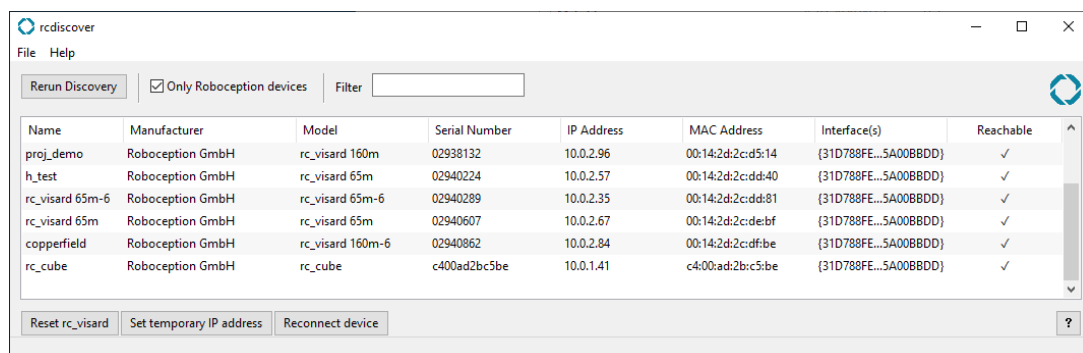


Fig. 4.2: `rcdiscover-gui` tool for finding connected GigE Vision® devices

After successful discovery, a double click on the device row opens the *Web GUI* (Section 7.1) of the device in the operating system's default web browser. Google Chrome or Mozilla Firefox are recommended as web browser.

### 4.3.1 Resetting configuration

A misconfigured device can be reset by using the *Reset rc\_visard* button in the discovery tool. The reset mechanism is only available for two minutes after device startup. Thus, the *rc\_visard NG* may require rebooting before being able to reset the device.

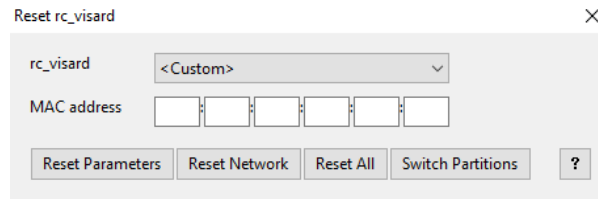


Fig. 4.3: Reset dialog of the rcdiscover-gui tool

If the discovery tool still successfully detects the the misconfigured *rc\_visard NG*, then the latter can be selected from the *rc-visard* drop-down menu. Otherwise, the *rc\_visard NG*'s MAC address, which is printed on the device label, can be entered manually into the designated fields.

One of four options can be chosen after entering the MAC address:

- *Reset Parameters*: Reset all *rc\_visard NG* parameters, such as frame rate, that are configurable via [Web GUI](#) (Section 7.1).
- *Reset Network*: Reset network settings and user-defined name.
- *Reset All*: Reset the *rc\_visard NG* parameters as well as network settings and user-defined name.
- *Switch Partitions*: Allows a rollback to be performed as described in [Restoring the previous firmware version](#) (Section 9.5).

A white status LED followed by a device reboot indicates a successful reset. If no reaction is noticeable, the two minutes time slot may have elapsed, requiring another reboot.

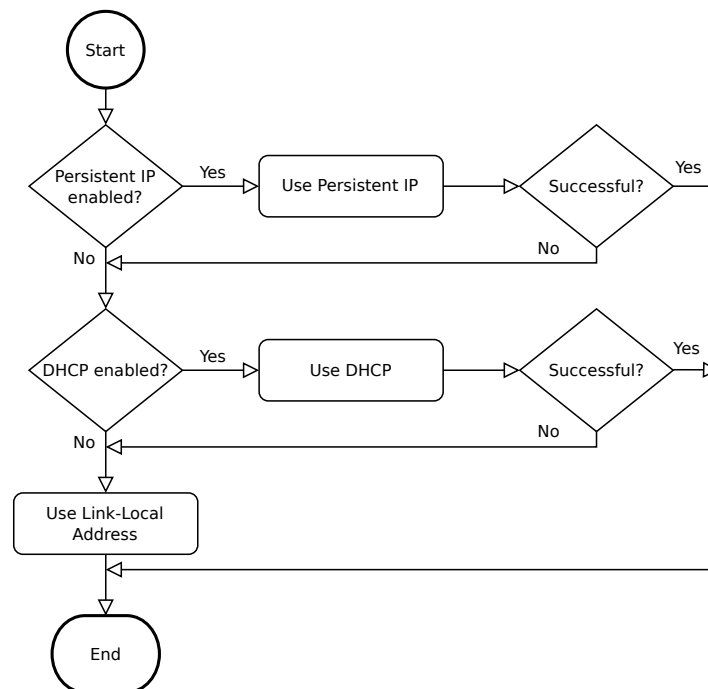
**Note:** The reset mechanism is only available for the first two minutes after startup.

## 4.4 Network configuration

The *rc\_visard NG* requires an Internet Protocol (*IP*) address for communication with other network devices. The IP address must be unique in the local network, and can be set either manually via a user-configurable persistent IP address, or automatically via *DHCP*. If none of these IP configuration methods apply, the *rc\_visard NG* falls back to a *Link-Local* IP address.

Following the *GigE Vision*® standard, the priority of IP configuration methods on the *rc\_visard NG* is

1. Persistent IP (if enabled)
2. DHCP (if enabled)
3. Link-Local

Fig. 4.4: *rc\_visard NG*'s IP configuration method selection flowchart

Options for changing the *rc\_visard NG*'s network settings and IP configuration are:

- the *System* → *Network* page of the *rc\_visard NG*'s Web GUI – if it is reachable in the local network already, see [Web GUI](#) (Section 7.1)
- any configuration tool compatible with *GigE Vision® 2.0*, or Roboception's command-line tool `gc_config`. Typically, these tools scan for all available GigE Vision® devices on the network. All *rc\_visard NG* devices can be uniquely identified by their serial number and MAC address, which are both printed on the device.
- temporarily changing or completely resetting the *rc\_visard NG*'s network configuration via Roboception's `rcdiscover-gui` tool, see [Discovery of \*rc\\_visard NG\* devices](#) (Section 4.3)

**Note:** The command-line tool `gc_config` is part of Roboception's open-source convenience layer `rc_genicam_api`, which can be downloaded free of charge for Windows and Linux from <http://www.roboception.com/download>.

#### 4.4.1 Host name

The *rc\_visard NG*'s host name is based on its serial number, which is printed on the device, and is defined as `rc-visard-ng-<serial number>`.

#### 4.4.2 Automatic configuration (factory default)

The Dynamic Host Configuration Protocol (*DHCP*) is preferred for setting an IP address. If DHCP is active on the *rc\_visard NG*, which is the factory default, the device tries to contact a DHCP server at startup and every time the network cable is being plugged in. If a DHCP server is available on the network, the IP address is automatically configured.

In some networks, the DHCP server is configured so that it only accepts known devices. In this case, the Media Access Control address (*MAC address*), which is printed on the device label, needs to be configured in the DHCP server. At the same time, the *rc\_visard NG*'s host name can also be set in

the Domain Name Server (*DNS*). Both MAC address and host name should be sent to the network administrator for configuration.

If the *rc\_visard NG* cannot contact a DHCP server within about 15 seconds after startup, or after plugging in the network cable, it assigns itself a unique IP address. This process is called *Link-Local*. This option is especially useful for connecting the *rc\_visard NG* directly to a computer. The computer must be configured for Link-Local as well. Link-Local might already be configured as a standard fallback option, as it is under Windows 10. Other operating systems such as Linux require Link-Local to be explicitly configured in their network managers.

### 4.4.3 Manual configuration

Specifying a persistent, i.e. static IP address manually might be useful in some cases. This address is stored on the *rc\_visard NG* to be used on device startup or network reconnection. Please make sure the selected IP address, subnet mask and gateway will not cause any conflicts on the network.

**Warning:** The IP address must be unique within the local network and within the local network's range of valid addresses. Furthermore, the subnet mask must match the local network; otherwise, the *rc\_visard NG* may become inaccessible. This can be avoided by using automatic configuration as explained in *Automatic configuration (factory default)* (Section 4.4.2).

If this IP address cannot be assigned, e.g. because it is already used by another device in the network, IP configuration will fall back to automatic configuration via *DHCP* (if enabled) or a *Link-Local* address.



## 5 Measurement principles

The *rc\_visard NG* is a self-registering 3D camera. It provides rectified camera, disparity, confidence, and error images, which enable the viewed scene's depth values along with their uncertainties to be computed. Furthermore, the motion of visual features in the images is combined with acceleration and turn-rate measurements at a high rate, which enables the sensor to provide real-time estimates of its current pose, velocity, and acceleration.

In the following, the underlying measurement principles are explained in more detail.

### 5.1 Stereo vision

In *stereo vision*, 3D information about a scene can be extracted by comparing two images taken from different viewpoints. The main idea behind using a camera pair for measuring depth is the fact that object points appear at different positions in the two camera images depending on their distance from the camera pair. Very distant object points appear at approximately the same position in both images, whereas very close object points occupy different positions in the left and right camera image. The object points' displacement in the two images is called *disparity*. The larger the disparity, the closer the object is to the camera. The principle is illustrated in Fig. 5.1.

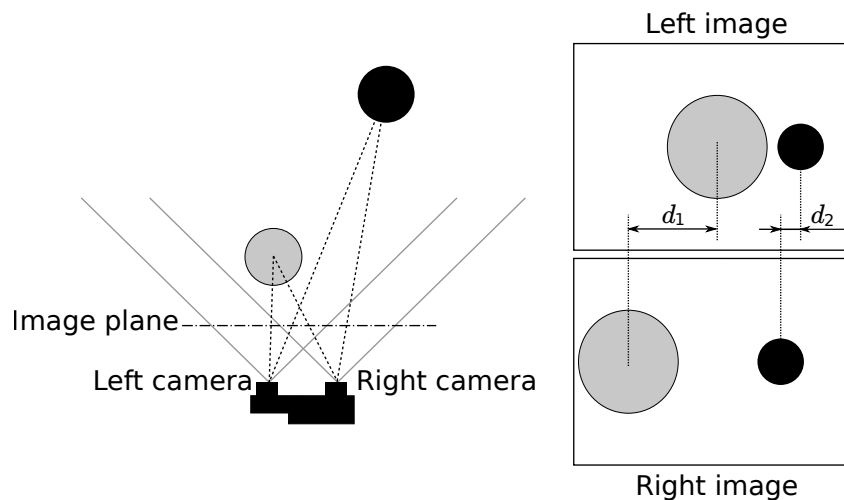


Fig. 5.1: Sketch of the stereo-vision principle: The more distant object (black) exhibits a smaller disparity  $d_2$  than that of the close object (gray),  $d_1$ .

Stereo vision is a form of passive sensing, meaning that it emits neither light nor other signals to measure distances, but uses only light that the environment emits or reflects. Thus, the Roboception products utilizing this sensing principle can work indoors and outdoors and multiple devices can work together without interferences.

To compute the 3D information, the stereo matching algorithm must be able to find corresponding object points in the left and right camera images. For this, the algorithm requires texture, meaning changes in

image intensity values due to patterns or the objects' surface structure, in the images. Stereo matching is not possible for completely untextured regions, such as a flat white wall without any visible surface structure. The stereo matching method used by the *rc\_visard NG* is *SGM* (*Semi-Global Matching*), which provides the best trade-off between runtime and accuracy, even for fine structures.

The following software modules are required to compute 3D information:

- *Camera*: This module is responsible for capturing synchronized image pairs and transforming them into images approaching those taken by an ideal camera (rectification).
- *Stereo matching*: This module computes disparities for the rectified stereo image pair using *SGM* (Section 6.1.2).

For stereo matching, the position and orientation of the left and right cameras relative to each other has to be known with very high accuracy. This is achieved by calibration. The *rc\_visard NG*'s cameras are pre-calibrated during production. However, if the *rc\_visard NG* has been decalibrated, during transport for example, then the user has to recalibrate the stereo camera:

- *Camera calibration*: This module enables the user to recalibrate the *rc\_visard NG*'s stereo camera (Section 6.3.3).

## 6 Software modules

The *rc\_visard NG* comes with several on-board software modules, each of which corresponds to a certain functionality and can be interfaced via its respective *node* in the *REST-API interface* (Section 7.3).

The *rc\_visard NG*'s software modules can be divided into

- **3D camera modules (Section 6.1)** which acquire image pairs and compute 3D depth information such as disparity, error, and confidence images, and are also accessible via the *rc\_visard NG*'s *GigE Vision/GenICam interface*,
- **Detection & Measure modules (Section 6.2)** which provide a variety of detection functionalities, such as grasp point computation and object detection,
- **Configuration modules (Section 6.3)** which enable the user to perform calibrations and configure the *rc\_visard NG* for specific applications.
- **Database modules (Section 6.4)** which enable the user to configure global data available to all other modules, such as load carriers, regions of interest and grippers.

### 6.1 3D camera modules

The *rc\_visard NG*'s 3D camera software consists of the following modules:

- **Camera (*rc\_camera*, Section 6.1.1)** acquires image pairs and performs planar rectification for using the camera as a measurement device. Images are provided both for further internal processing by other modules and for external use as *GenICam image streams*.
- **Stereo matching (*rc\_stereomatching*, Section 6.1.2)** uses the rectified stereo image pairs to compute 3D depth information such as disparity, error, and confidence images. These are provided as GenICam streams, too.

The *Camera* and the *Stereo matching* modules, which acquire image pairs and compute 3D depth information such as disparity, error, and confidence images, are also accessible via the *rc\_visard NG*'s *GigE Vision/GenICam interface*.

#### 6.1.1 Camera

The camera module is a base module which is available on every *rc\_visard NG* and is responsible for image acquisition and rectification. It provides various parameters, e.g. to control exposure and frame rate.

##### 6.1.1.1 Rectification

To simplify image processing, the camera module rectifies all camera images based on the camera calibration. This means that lens distortion is removed and the principal point is located exactly in the middle of the image.

The model of a rectified camera is described with just one value, which is the focal length. The *rc\_visard NG* reports a focal length factor via its various interfaces. It relates to the image width for supporting different image resolutions. The focal length  $f$  in pixels can be easily obtained by multiplying the focal length factor by the image width in pixels.

In case of a stereo camera, rectification also aligns images such that an object point is always projected onto the same image row in both images. The cameras' optical axes become exactly parallel.

### 6.1.1.2 Viewing and downloading images

The *rc\_visard NG* provides the time-stamped, rectified images over the GenICam interface (see [Provided image streams](#), Section 7.2.6). Live streams of the images are provided with reduced quality in the *Web GUI* (Section 7.1).

The Web GUI also provides the possibility to download a snapshot of the current scene as a .tar.gz file as described in [Downloading camera images](#) (Section 7.1.4).

### 6.1.1.3 Parameters

The camera software module is called *rc\_camera* and is represented by the *Camera* page in the *Web GUI* (Section 7.1). The user can change the camera parameters there, or directly via the REST-API ([REST-API interface](#), Section 7.3) or GigE Vision ([GigE Vision 2.0/GenICam image interface](#), Section 7.2).

**Note:** Camera parameters cannot be changed via the Web GUI or REST-API if *rc\_visard NG* is used via GigE Vision.

### Parameter overview

This module offers the following run-time parameters:

Table 6.1: The rc\_camera module's run-time parameters

Name	Type	Min	Max	Default	Description
acquisition_mode	string	-	-	Continuous	Acquisition mode: [Continuous, Trigger]
exp_auto	bool	false	true	true	Switching between auto and manual exposure (deprecated, please use exp_control instead)
exp_auto_average_max	float64	0.0	1.0	0.75	Maximum average intensity in Auto exposure mode
exp_auto_average_min	float64	0.0	1.0	0.25	Minimum average intensity in Auto exposure mode
exp_auto_mode	string	-	-	Normal	Auto-exposure mode: [Normal, Out1High, AdaptiveOut1]
exp_control	string	-	-	Auto	Exposure control mode: [Manual, Auto, HDR]
exp_height	int32	0	1079	0	Height of auto exposure region. 0 for whole image.
exp_max	float64	1e-06	0.023449	0.018	Maximum exposure time in seconds in Auto exposure mode
exp_offset_x	int32	0	1439	0	First column of auto exposure region
exp_offset_y	int32	0	1079	0	First row of auto exposure region
exp_value	float64	1e-06	0.023449	0.005	Exposure time in seconds in Manual exposure mode
exp_width	int32	0	1439	0	Width of auto exposure region. 0 for whole image.
fps	float64	1.0	25.0	25.0	Frames per second in Hertz
gain_value	float64	0.0	48.0	0.0	Gain value in decibel if not in Auto exposure mode
gamma	float64	0.1	10.0	0.7	Gamma factor
trigger_activation	string	-	-	RisingEdge	Trigger activation: [RisingEdge, FallingEdge, AnyEdge]
trigger_source	string	-	-	Software	Trigger source: [Software, In1, In2]
wb_auto	bool	false	true	true	Switching white balance on and off (only for color camera)
wb_ratio_blue	float64	1.0	1.0	1.0	Blue to green balance ratio if wb_auto is false (only for color camera)
wb_ratio_red	float64	1.0	1.0	1.0	Red to green balance ratio if wb_auto is false (only for color camera)

## Description of run-time parameters

The screenshot displays the Roboception web GUI's Camera page. The top navigation bar includes 'roboception', 'rc\_visard\_ng > Camera', and 'rc\_visard\_ng 160m-6'. A sidebar on the left lists menu items: Dashboard, Camera, Depth Image, Modules, Configuration, Database, System, and UserSpace. The main content area shows two live camera feeds, 'Live Left Image' and 'Live Right Image', each displaying a 3D scene of white blocks in a container. Below the feeds, system parameters are listed: Resolution (px) 1440 x 1080, FPS (Hz) 24.6, Exposure Time (ms) 5.76, Gain (dB) 0.0, and Brightness 0.25. The main settings panel, titled 'IOControl Settings', is expanded to 'Camera Settings'. It includes sections for Acquisition Mode (Continuous selected), Trigger Source (Software selected), Trigger Activation (Rising Edge selected), FPS (Hz) (25), Gamma (0.7), Exposure (Auto selected), Max Exposure Time (s) (0.018), Auto Exposure Mode (Normal selected), Max Brightness (0.75), Min Brightness (0.25), Exposure Region (Offset X, Y, Width, Height all 0), Gain (dB) (0), and Manual Exposure Time (s) (0.005).

Fig. 6.1: The Web GUI's *Camera* page**acquisition\_mode (Acquisition Mode)**

This values determines the camera acquisition mode. In *Continuous* mode, the camera will acquire images at the specified frame rate *fps*. In *Trigger* mode, images are only acquired when the camera receives a trigger signal.

Via the REST-API, this parameter can be set as follows.

#### API version 2

```
PUT http://<host>/api/v2/pipelines/0/nodes/rc_camera/services/parameters?acquisition_
↔mode=<value>
```

#### API version 1 (deprecated)

```
PUT http://<host>/api/v1/nodes/rc_camera/parameters?acquisition_mode=<value>
```

### trigger\_source (*Trigger Source*)

This value is only used when `acquisition_mode` is set to `Trigger` and determines the source for the trigger. In `Software` mode a trigger can be sent via the `rc_camera/acquisition_trigger` service. When the `acquisition_mode` for the depth images is set to `SingleFrame` or `SingleFrameOut1` (see [Parameters](#), Section 6.1.2.5), the camera software trigger is sent automatically whenever a depth image acquisition is triggered. The modes `In1` and `In2` are hardware trigger modes. An image is acquired whenever a signal on the chosen input is received.

Via the REST-API, this parameter can be set as follows.

#### API version 2

```
PUT http://<host>/api/v2/pipelines/0/nodes/rc_camera/services/parameters?trigger_
↔source=<value>
```

#### API version 1 (deprecated)

```
PUT http://<host>/api/v1/nodes/rc_camera/parameters?trigger_source=<value>
```

### trigger\_activation (*Trigger Activation*)

This value is only used when `acquisition_mode` is set to `Trigger` and `trigger_source` is set to `In1` or `In2`. It determines the signal edge that should be used to trigger an acquisition. Possible values are `RisingEdge`, `FallingEdge` or `AnyEdge`.

Via the REST-API, this parameter can be set as follows.

#### API version 2

```
PUT http://<host>/api/v2/pipelines/0/nodes/rc_camera/services/parameters?trigger_
↔activation=<value>
```

#### API version 1 (deprecated)

```
PUT http://<host>/api/v1/nodes/rc_camera/parameters?trigger_activation=<value>
```

### fps (*FPS*)

This value is the cameras' frame rate (fps, frames per second), which determines the upper frequency at which depth images can be computed. This is also the frequency at which the `rc_visard NG` delivers images via GigE Vision. Reducing this frequency also reduces the network bandwidth required to transmit the images.

Via the REST-API, this parameter can be set as follows.

#### API version 2

```
PUT http://<host>/api/v2/pipelines/0/nodes/rc_camera/services/parameters?fps=<value>
```

#### API version 1 (deprecated)

```
PUT http://<host>/api/v1/nodes/rc_camera/parameters?fps=<value>
```

The camera always runs with 25 Hz when in Continuous acquisition mode to ensure proper working of internal modules such as visual odometry that need a constant frame rate. The user frame rate setting is implemented by excluding frames for stereo matching and transmission via GigE Vision to reduce bandwidth as shown in figure Fig. 6.2.



Fig. 6.2: Images are internally always captured with 25 Hz. The `fps` parameter determines how many of them are sent as camera images via GigE Vision.

#### gamma (*Gamma*)

The gamma value determines the mapping of perceived light to the brightness of a pixel. A gamma value of 1 corresponds to a linear relationship. Lower gamma values let dark image parts appear brighter. A value around 0.5 corresponds to human vision.

Via the REST-API, this parameter can be set as follows.

#### API version 2

```
PUT http://<host>/api/v2/pipelines/0/nodes/rc_camera/services/parameters?gamma=<value>
```

#### API version 1 (deprecated)

```
PUT http://<host>/api/v1/nodes/rc_camera/parameters?gamma=<value>
```

#### exp\_control (*Exposure Auto, HDR or Manual*)

The exposure control mode can be set to *Auto*, *HDR* or *Manual*. This replaces the deprecated `exp_auto` parameter.

*Auto*: This is the default mode in which the exposure time and gain factor is chosen automatically to correctly expose the image. The last automatically determined exposure and gain values are set into `exp_value` and `gain_value` when switching auto-exposure off.

*HDR*: The HDR mode computes high-dynamic-range images by combining images with different exposure times to avoid under-exposed and over-exposed areas. This decreases the frame rate and is only suitable for static scenes.

*Manual*: In the manual exposure mode the exposure time and gain are kept fixed independent of the resulting image brightness.

Via the REST-API, this parameter can be set as follows.

#### API version 2

```
PUT http://<host>/api/v2/pipelines/0/nodes/rc_camera/services/parameters?exp_control=
↔<value>
```

#### API version 1 (deprecated)



```
PUT http://<host>/api/v1/nodes/rc_camera/parameters?exp_control=<value>
```

### exp\_auto (deprecated)

**This parameter is deprecated and will be removed in a future release.** Please use *exp\_control*.

This value can be set to *true* for auto-exposure mode, or to *false* for manual exposure mode. In manual exposure mode, the chosen exposure time is kept, even if the images are overexposed or underexposed. In auto-exposure mode, the exposure time and gain factor is chosen automatically to correctly expose the image. The last automatically determined exposure and gain values are set into *exp\_value* and *gain\_value* when switching auto-exposure off.

Via the REST-API, this parameter can be set as follows.

#### API version 2

```
PUT http://<host>/api/v2/pipelines/0/nodes/rc_camera/services/parameters?exp_auto=
↔<value>
```

#### API version 1 (deprecated)

```
PUT http://<host>/api/v1/nodes/rc_camera/parameters?exp_auto=<value>
```

### exp\_auto\_mode (Auto Exposure Mode)

The auto exposure mode can be set to *Normal*, *Out1High* or *AdaptiveOut1*. These modes are relevant when the *rc\_visard NG* is used with an external light source or projector connected to the *rc\_visard*'s or *rc\_viscore*'s GPIO Out1, which can be controlled by the IOControl module (*IO and Projector Control*, Section 6.3.4).

*Normal*: All images are considered for exposure control, except if the IOControl mode for GPIO Out1 is *ExposureAlternateActive*: then only images where GPIO Out1 is HIGH will be considered, since these images may be brighter in case GPIO Out1 is used to trigger an external light source.

*Out1High*: This exposure mode adapts the exposure time using only images with GPIO Out1 HIGH. Images where GPIO Out1 is LOW are not considered at all, which means, that the exposure time does not change when only images with Out1 LOW are acquired. This mode is recommended for using the *acquisition\_mode SingleFrameOut1* in the stereo matching module as described in *Stereo Matching Parameters* (Section 6.1.2.5) and having an external projector connected to GPIO Out1, when changes in the brightness of the scene should only be considered when Out1 is HIGH. This is the case, for example, when a bright part of the robot moves through the field of view of the camera just before a detection is triggered, which should not affect the exposure time.

*AdaptiveOut1*: This exposure mode uses all camera images and tracks the exposure difference between images with GPIO Out1 LOW and HIGH. While the IOControl mode for GPIO Out1 is LOW, the images are under-exposed by this exposure difference to avoid over-exposure for when GPIO Out1 triggers an external projector. The resulting exposure difference is given as *Out1 Reduction* below the live images. This mode is recommended for using the *acquisition\_mode SingleFrameOut1* in the stereo matching module as described in *Stereo Matching Parameters* (Section 6.1.2.5) and having an external projector connected to GPIO Out1, when changes in the brightness of the scene should be considered at all times. This is the case, for example, in applications where the external lighting changes.

Via the REST-API, this parameter can be set as follows.

#### API version 2

```
PUT http://<host>/api/v2/pipelines/0/nodes/rc_camera/services/parameters?exp_auto_mode=
↔<value>
```

#### API version 1 (deprecated)

```
PUT http://<host>/api/v1/nodes/rc_camera/parameters?exp_auto_mode=<value>
```

### exp\_max (*Max Exposure*)

This value is the maximal exposure time in auto-exposure mode in seconds. The actual exposure time is adjusted automatically so that the images are exposed correctly. If the maximum exposure time is reached, but the images are still underexposed, the *rc\_visard NG* stepwise increases the gain to increase the images' brightness. Limiting the exposure time is useful for avoiding or reducing motion blur during fast movements. However, higher gain introduces noise into the image. The best trade-off depends on the application.

Via the REST-API, this parameter can be set as follows.

#### API version 2

```
PUT http://<host>/api/v2/pipelines/0/nodes/rc_camera/services/parameters?exp_max=
↔<value>
```

#### API version 1 (deprecated)

```
PUT http://<host>/api/v1/nodes/rc_camera/parameters?exp_max=<value>
```

### exp\_auto\_average\_max (*Max Brightness*) and exp\_auto\_average\_min (*Min Brightness*)

The auto-exposure tries to set the exposure time and gain factor such that the average intensity (i.e. brightness) in the image or exposure region is between a maximum and a minimum. The maximum brightness will be used if there is no saturation, e.g. no over-exposure due to bright surfaces or reflections. In case of saturation, the exposure time and gain factor are reduced, but only down to the minimum brightness.

The maximum brightness has precedence over the minimum brightness parameter. If the minimum brightness is larger than the maximum brightness, the auto-exposure always tries to make the average intensity equal to the maximum brightness.

The current brightness is always shown in the status bar below the images.

Via the REST-API, this parameter can be set as follows.

#### API version 2

```
PUT http://<host>/api/v2/pipelines/0/nodes/rc_camera/services/parameters?<exp_auto_
↔average_max|exp_auto_average_min>=<value>
```

#### API version 1 (deprecated)

```
PUT http://<host>/api/v1/nodes/rc_camera/parameters?<exp_auto_average_max|exp_auto_
↔average_min>=<value>
```

### exp\_offset\_x, exp\_offset\_y, exp\_width, exp\_height (*Exposure Region*)

These values define a rectangular region in the left rectified image for limiting the area used for computing the auto exposure. The exposure time and gain factor of both images are chosen to optimally expose the defined region. This can lead to over- or underexposure of

image parts outside the defined region. If either the width or height is 0, then the whole left and right images are considered by the auto exposure function. This is the default.

The region is visualized in the Web GUI by a rectangle in the left rectified image. It can be defined using the sliders or by selecting it in the image after pressing the button `Select Region in Image`.

Via the REST-API, this parameter can be set as follows.

#### API version 2

```
PUT http://<host>/api/v2/pipelines/0/nodes/rc_camera/services/parameters?<exp_offset_x|exp_offset_y|exp_width|exp_height>=<value>
```

#### API version 1 (deprecated)

```
PUT http://<host>/api/v1/nodes/rc_camera/parameters?<exp_offset_x|exp_offset_y|exp_width|exp_height>=<value>
```

### exp\_value (*Exposure*)

This value is the exposure time in manual exposure mode in seconds. This exposure time is kept constant even if the images are underexposed.

Via the REST-API, this parameter can be set as follows.

#### API version 2

```
PUT http://<host>/api/v2/pipelines/0/nodes/rc_camera/services/parameters?exp_value=<value>
```

#### API version 1 (deprecated)

```
PUT http://<host>/api/v1/nodes/rc_camera/parameters?exp_value=<value>
```

### gain\_value (*Gain*)

This value is the gain factor in decibel that can be set in manual exposure mode. Higher gain factors reduce the required exposure time but introduce noise.

Via the REST-API, this parameter can be set as follows.

#### API version 2

```
PUT http://<host>/api/v2/pipelines/0/nodes/rc_camera/services/parameters?gain_value=<value>
```

#### API version 1 (deprecated)

```
PUT http://<host>/api/v1/nodes/rc_camera/parameters?gain_value=<value>
```

### wb\_auto (*White Balance Auto or Manual*)

This value can be set to *true* for automatic white balancing or *false* for manually setting the ratio between the colors using `wb_ratio_red` and `wb_ratio_blue`. The last automatically determined ratios are set into `wb_ratio_red` and `wb_ratio_blue` when switching automatic white balancing off. White balancing is without function for monochrome cameras and will not be displayed in the Web GUI in this case.

Via the REST-API, this parameter can be set as follows.

**API version 2**

```
PUT http://<host>/api/v2/pipelines/0/nodes/rc_camera/services/parameters?wb_auto=  
↔<value>
```

**API version 1 (deprecated)**

```
PUT http://<host>/api/v1/nodes/rc_camera/parameters?wb_auto=<value>
```

**wb\_ratio\_blue and wb\_ratio\_red (Blue | Green and Red | Green)**

These values are used to set blue to green and red to green ratios for manual white balance. White balancing is without function for monochrome cameras and will not be displayed in the Web GUI in this case.

Via the REST-API, this parameter can be set as follows.

**API version 2**

```
PUT http://<host>/api/v2/pipelines/0/nodes/rc_camera/services/parameters?<wb_ratio_  
↔blue|wb_ratio_red>=<value>
```

**API version 1 (deprecated)**

```
PUT http://<host>/api/v1/nodes/rc_camera/parameters?<wb_ratio_blue|wb_ratio_red>=  
↔<value>
```

These parameters are also available over the GenICam interface with slightly different names and partly with different units or data types (see [GigE Vision 2.0/GenICam image interface](#), Section 7.2).

**6.1.1.4 Status values**

This module reports the following status values:

Table 6.2: The rc\_camera module's status values

Name	Description
baseline	Stereo baseline $t$ in meters
brightness	Current brightness of the image as value between 0 and 1
color	0 for monochrome cameras, 1 for color cameras
exp	Current exposure time in seconds. This value is shown below the image preview in the Web GUI as <i>Exposure (ms)</i> .
focal	Focal length factor normalized to an image width of 1
fps	Current frame rate of the camera images in Hertz. This value is shown in the Web GUI below the image preview as <i>FPS (Hz)</i> .
gain	Current gain factor in decibel. This value is shown in the Web GUI below the image preview as <i>Gain (dB)</i> .
gamma	Current gamma value.
height	Height of the camera image in pixels. This value is shown in the Web GUI below the image preview as the second part of <i>Resolution (px)</i> .
out1_reduction	Fraction of reduction (0.0 - 1.0) of brightness for images with GPIO Out1=LOW in exp_auto_mode=AdaptiveOut1 or exp_auto_mode=Out1High. This value is shown in the Web GUI below the image preview as <i>Out1 Reduction (%)</i> .
params_override_active	1 if parameters are temporarily overwritten by a calibration process
temp_left	Temperature of the left camera sensor in degrees Celsius
temp_right	Temperature of the right camera sensor in degrees Celsius
test	0 for live images and 1 for test images
time	Processing time for image grabbing in seconds
width	Width of the camera image in pixels. This value is shown in the Web GUI below the image preview as the first part of <i>Resolution (px)</i> .

### 6.1.1.5 Services

The camera module offers the following services.

#### acquisition\_trigger

Triggers an image acquisition when acquisition\_mode is set to Trigger and trigger\_source is set to Software.

#### Details

This service can be called as follows.

#### API version 2

```
PUT http://<host>/api/v2/pipelines/0/nodes/rc_camera/services/acquisition_trigger
```

#### API version 1 (deprecated)

```
PUT http://<host>/api/v1/nodes/rc_camera/services/acquisition_trigger
```

#### Request

This service has no arguments.

#### Response

The definition for the response with corresponding datatypes is:

```
{
  "name": "acquisition_trigger",
  "response": {
    "return_code": {
      "message": "string",
      "value": "int16"
    }
  }
}
```

### reset\_defaults

Restores and applies the default values for this module's parameters ("factory reset").

#### Details

This service can be called as follows.

#### API version 2

```
PUT http://<host>/api/v2/pipelines/0/nodes/rc_camera/services/reset_defaults
```

#### API version 1 (deprecated)

```
PUT http://<host>/api/v1/nodes/rc_camera/services/reset_defaults
```

#### Request

This service has no arguments.

#### Response

The definition for the response with corresponding datatypes is:

```
{
  "name": "reset_defaults",
  "response": {
    "return_code": {
      "message": "string",
      "value": "int16"
    }
  }
}
```

## 6.1.2 Stereo matching

The stereo matching module is a base module which is available on every *rc\_visard NG* and uses the rectified stereo-image pair to compute disparity, error, and confidence images.

To compute full resolution disparity, error and confidence images, an additional StereoPlus [license](#) (Section 9.7) is required. This license is included in every *rc\_visard NG* purchased after 31.01.2019.

### 6.1.2.1 Computing disparity images

After rectification, an object point is guaranteed to be projected onto the same pixel row in both left and right image. That point's pixel column in the right image is always lower than or equal to the same point's pixel column in the left image. The term disparity signifies the difference between the pixel columns in the right and left images and expresses the depth or distance of the object point from the camera. The disparity image stores the disparity values of all pixels in the left camera image.

The larger the disparity, the closer the object point. A disparity of 0 means that the projections of the object point are in the same image column and the object point is at infinite distance. Often, there are pixels for which disparity cannot be determined. This is the case for occlusions that appear on the left sides of objects, because these areas are not seen from the right camera. Furthermore, disparity cannot be determined for textureless areas. Pixels for which the disparity cannot be determined are marked as invalid with the special disparity value of 0. To distinguish between invalid disparity measurements and disparity measurements of 0 for objects that are infinitely far away, the disparity value for the latter is set to the smallest possible disparity value above 0.

To compute disparity values, the stereo matching algorithm has to find corresponding object points in the left and right camera images. These are points that represent the same object point in the scene. For stereo matching, the *rc\_visard NG* uses *SGM (Semi-Global Matching)*, which offers quick run times and great accuracy, especially at object borders, fine structures, and in weakly textured areas.

A key requirement for any stereo matching method is the presence of texture in the image, i.e., image-intensity changes due to patterns or surface structure within the scene. In completely untextured regions such as a flat white wall without any structure, disparity values can either not be computed or the results are erroneous or have low confidence (see *Confidence and error images*, Section 6.1.2.3). The texture in the scene should not be an artificial, repetitive pattern, since those structures may lead to ambiguities and hence to wrong disparity measurements.

When working with poorly textured objects or in untextured environments, a static artificial texture can be projected onto the scene using an external pattern projector. This pattern should be random-like and not contain repetitive structures. The *rc\_visard NG* provides the *IOControl* module (see *IO and Projector Control*, Section 6.3.4) as optional software module which can control a pattern projector connected to the sensor.

### 6.1.2.2 Computing depth images and point clouds

The following equations show how to compute an object point's actual 3D coordinates  $P_x, P_y, P_z$  in the camera coordinate frame from the disparity image's pixel coordinates  $p_x, p_y$  and the disparity value  $d$  in pixels:

$$\begin{aligned} P_x &= \frac{p_x \cdot t}{d} \\ P_y &= \frac{p_y \cdot t}{d} \\ P_z &= \frac{f \cdot t}{d}, \end{aligned} \tag{6.1}$$

where  $f$  is the focal length after rectification in pixels and  $t$  is the stereo baseline in meters, which was determined during calibration. These values are also transferred over the GenICam interface (see *Custom GenICam features of the rc\_visard NG*, Section 7.2.4).

**Note:** The *rc\_visard NG*'s camera coordinate frame is defined as shown in *Coordinate frames* (Section 3.7).

**Note:** The *rc\_visard NG* reports a focal length factor via its various interfaces. It relates to the image width for supporting different image resolutions. The focal length  $f$  in pixels can be easily obtained by multiplying the focal length factor by the image width in pixels.

Please note that equations (6.1) assume that the coordinate frame is centered in the principal point that is typically in the center of the image, and  $p_x, p_y$  refer to the middle of the pixel, i.e. by adding 0.5 to the integer pixel coordinates. The following figure shows the definition of the image coordinate frame.

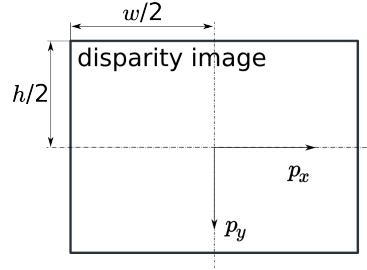


Fig. 6.3: The image coordinate frame's origin is defined to be at the image center –  $w$  is the image width and  $h$  is the image height.

The same equations, but with the corresponding GenICam parameters are given in *Image stream conversions* (Section 7.2.7).

The set of all object points computed from the disparity image gives the point cloud, which can be used for 3D modeling applications. The disparity image is converted into a depth image by replacing the disparity value in each pixel with the value of  $P_z$ .

**Note:** Roboception provides software and examples for receiving disparity images from the *rc\_visard NG* via GigE Vision and computing depth images and point clouds. See <http://www.roboception.com/download>.

### 6.1.2.3 Confidence and error images

For each disparity image, additionally an error image and a confidence image are provided, which give uncertainty measures for each disparity value. These images have the same resolution and the same frame rate as the disparity image. The error image contains the disparity error  $d_{eps}$  in pixels corresponding to the disparity value at the same image coordinates in the disparity image. The confidence image contains the corresponding confidence value  $c$  between 0 and 1. The confidence is defined as the probability of the true disparity value being within the interval of three times the error around the measured disparity  $d$ , i.e.,  $[d - 3d_{eps}, d + 3d_{eps}]$ . Thus, the disparity image with error and confidence values can be used in applications requiring probabilistic inference. The confidence and error values corresponding to an invalid disparity measurement will be 0.

The disparity error  $d_{eps}$  (in pixels) can be converted to a depth error  $z_{eps}$  (in meters) using the focal length  $f$  (in pixels), the baseline  $t$  (in meters), and the disparity value  $d$  (in pixels) of the same pixel in the disparity image:

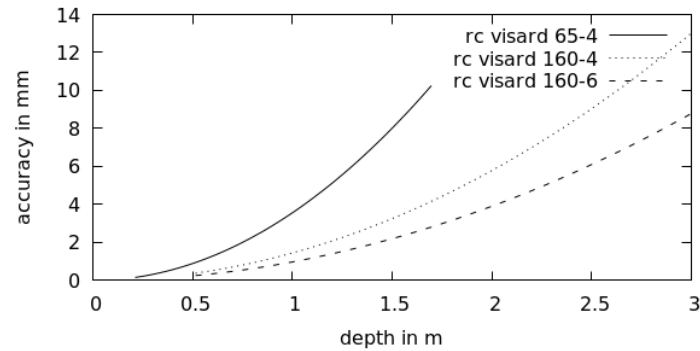
$$z_{eps} = \frac{d_{eps} \cdot f \cdot t}{d^2}. \quad (6.2)$$

Combining equations (6.1) and (6.2) allows the depth error to be related to the depth:

$$z_{eps} = \frac{d_{eps} \cdot P_z^2}{f \cdot t}.$$

With the focal lengths and baselines of the different camera models and the typical combined calibration and stereo matching error  $d_{eps}$  of 0.25 pixels, the depth accuracy can be visualized as shown below.





#### 6.1.2.4 Viewing and downloading images and point clouds

The *rc\_visard NG* provides time-stamped disparity, error, and confidence images over the GenICam interface (see [Provided image streams](#), Section 7.2.6). Live streams of the images are provided with reduced quality on the *Depth Image* page of the [Web GUI](#) (Section 7.1).

The Web GUI also provides the possibility to download a snapshot of the current scene containing the depth, error and confidence images, as well as a point cloud in ply format as described in [Downloading depth images and point clouds](#) (Section 7.1.5).

#### 6.1.2.5 Parameters

The stereo matching module is called `rc_stereomatching` in the REST-API and it is represented by the *Depth Image* page in the [Web GUI](#) (Section 7.1). The user can change the stereo matching parameters there, or use the REST-API ([REST-API interface](#), Section 7.3) or GigE Vision ([GigE Vision 2.0/GenICam image interface](#), Section 7.2).

#### Parameter overview

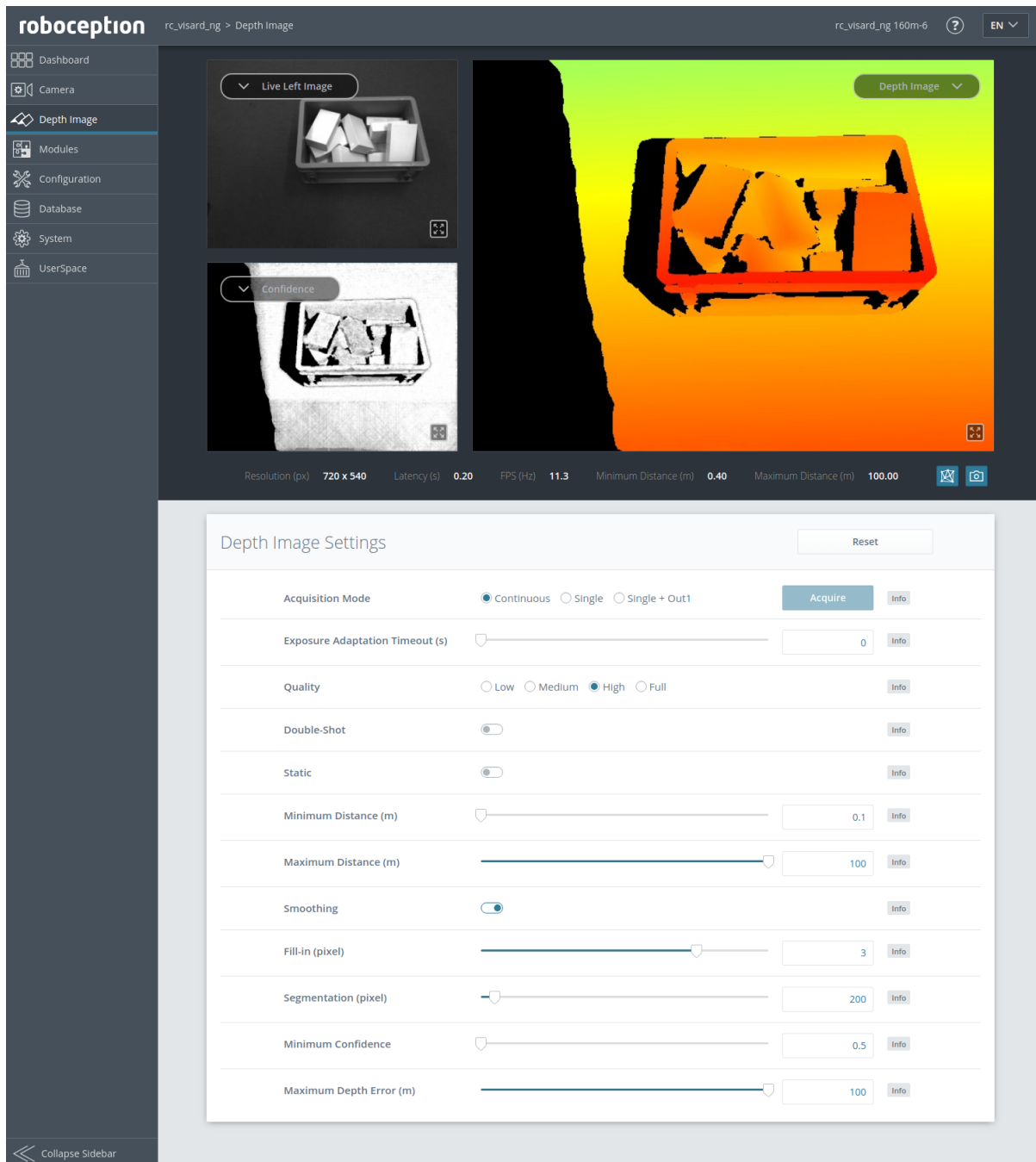
This module offers the following run-time parameters:

Table 6.3: The rc\_stereomatching module's run-time parameters

Name	Type	Min	Max	Default	Description
acquisition_mode	string	-	-	Continuous	Acquisition mode: [Continuous, SingleFrame, SingleFrameOut1]
double_shot	bool	false	true	false	Combination of disparity images from two subsequent stereo image pairs
exposure_adapt_timeout	float64	0.0	2.0	0.0	Maximum time in seconds to wait after triggering in SingleFrame modes until auto exposure has finished adjustments
fill	int32	0	4	3	Disparity tolerance for hole filling in pixels
maxdepth	float64	0.1	100.0	100.0	Maximum depth in meters
maxdeptherr	float64	0.01	100.0	100.0	Maximum depth error in meters
minconf	float64	0.5	1.0	0.5	Minimum confidence
mindepth	float64	0.1	100.0	0.1	Minimum depth in meters
quality	string	-	-	High	Quality: [Low, Medium, High, Full]. Full requires 'stereo_plus' license.
seg	int32	0	4000	200	Minimum size of valid disparity segments in pixels
smooth	bool	false	true	true	Smoothing of disparity image (requires 'stereo_plus' license)
static_scene	bool	false	true	false	Accumulation of images in static scenes to reduce noise

### Description of run-time parameters

Each run-time parameter is represented by a row on the Web GUI's *Depth Image* page. The name in the Web GUI is given in brackets behind the parameter name and the parameters are listed in the order they appear in the Web GUI:

Fig. 6.4: The Web GUI's *Depth Image* page

### acquisition\_mode (*Acquisition Mode*)

The acquisition mode can be set to Continuous, SingleFrame (*Single*) or SingleFrameOut1 (*Single + Out1*). The first one is the default, which performs stereo matching continuously according to the user defined frame rate and the available computation resources. The two other modes perform stereo matching upon each click of the *Acquire* button. The *Single + Out1* mode additionally controls an external projector that is connected to GPIO Out1 (*IO and Projector Control*, Section 6.3.4). In this mode, out1\_mode of the IOControl module is automatically set to ExposureAlternateActive upon each trigger call and reset to Low after receiving images for stereo matching.

**Note:** The Single + Out1 mode can only change the out1\_mode if the IOControl license is available on the rc\_visard NG.

Via the REST-API, this parameter can be set as follows.

#### API version 2

```
PUT http://<host>/api/v2/pipelines/0/nodes/rc_stereomatching/parameters/parameters?  
↔acquisition_mode=<value>
```

#### API version 1 (deprecated)

```
PUT http://<host>/api/v1/nodes/rc_stereomatching/parameters?acquisition_mode=<value>
```

### exposure\_adapt\_timeout (*Exposure Adaptation Timeout*)

The exposure adaptation timeout gives the maximum time in seconds that the system will wait after triggering an image acquisition until auto exposure has found the optimal exposure time. This timeout is only used in SingleFrame (*Single*) or SingleFrameOut1 (*Single + Out1*) acquisition mode with auto exposure active. This value should be increased in applications with changing lighting conditions, when images are under- oder overexposed and the resulting disparity images are too sparse. In these cases multiple images are acquired until the auto-exposure mode has adjusted or the timeout is reached, and only then the actual image acquisition is triggered.

Via the REST-API, this parameter can be set as follows.

#### API version 2

```
PUT http://<host>/api/v2/pipelines/0/nodes/rc_stereomatching/parameters/parameters?  
↔exposure_adapt_timeout=<value>
```

#### API version 1 (deprecated)

```
PUT http://<host>/api/v1/nodes/rc_stereomatching/parameters?exposure_adapt_timeout=  
↔<value>
```

### quality (*Quality*)

Disparity images can be computed in different resolutions: Full (full image resolution), High (half of the full image resolution), Medium (quarter of the full image resolution) and Low (sixth of the full image resolution). Full resolution matching (Full) is only possible with a valid StereoPlus license. The lower the resolution, the higher the frame rate of the disparity image. Please note that the frame rate of the disparity, confidence, and error images will always be less than or equal to the camera frame rate. In case the projector is in ExposureAlternateActive mode, the frame rate of the images can be at most half of the camera frame rate.

A 25 Hz frame rate can be achieved only at medium and low resolution.

If full resolution is selected, the depth range is internally limited due to limited on-board memory resources. It is recommended to adjust mindepth and maxdepth to the depth range that is required by the application.

Table 6.4: Depth image resolutions depending on the chosen quality

Quality	Full	High	Medium	Low
Resolution (pixel)	1440 x 1080	720 x 540	360 x 270	240 x 180

Via the REST-API, this parameter can be set as follows.

**API version 2**

```
PUT http://<host>/api/v2/pipelines/0/nodes/rc_stereomatching/parameters/parameters?
↔quality=<value>
```

**API version 1 (deprecated)**

```
PUT http://<host>/api/v1/nodes/rc_stereomatching/parameters?quality=<value>
```

**double\_shot (Double-Shot)**

Enabling this option will lead to denser disparity images, but will increase processing time.

For scenes recorded with a projector in Single + Out1 acquisition mode, or in continuous acquisition mode with the projector in ExposureAlternateActive mode, holes caused by reflections of the projector are filled with depth information computed from the images without projector pattern. In this case, the `double_shot` parameter must only be enabled if the scene does not change during the acquisition of the images.

For all other scenes, holes are filled with depth information computed from a downscaled version of the same image.

Via the REST-API, this parameter can be set as follows.

**API version 2**

```
PUT http://<host>/api/v2/pipelines/0/nodes/rc_stereomatching/parameters/parameters?
↔double_shot=<value>
```

**API version 1 (deprecated)**

```
PUT http://<host>/api/v1/nodes/rc_stereomatching/parameters?double_shot=<value>
```

**static\_scene (Static)**

This option averages 8 consecutive camera images before matching. This reduces noise, which improves the stereo matching result. However, the latency increases significantly. The timestamp of the first image is taken as timestamp of the disparity image. This option only affects matching in full or high quality. It must only be enabled if the scene does not change during the acquisition of the 8 images.

Via the REST-API, this parameter can be set as follows.

**API version 2**

```
PUT http://<host>/api/v2/pipelines/0/nodes/rc_stereomatching/parameters/parameters?
↔static_scene=<value>
```

**API version 1 (deprecated)**

```
PUT http://<host>/api/v1/nodes/rc_stereomatching/parameters?static_scene=<value>
```

### mindepth (*Minimum Distance*)

The minimum distance is the smallest distance from the camera at which measurements should be possible. Larger values implicitly reduce the disparity range, which also reduces the computation time. The minimum distance is given in meters.

Depending on the capabilities of the sensor, the actual minimum distance can be higher than the user setting. The actual minimum distance will be reported in the status values.

In quality mode `Full`, the actual minimum distance can also be higher than the user-defined minimum distance due to memory limitations. In this case, lowering the maximum distance helps to reduce the actual minimum distance.

Via the REST-API, this parameter can be set as follows.

#### API version 2

```
PUT http://<host>/api/v2/pipelines/0/nodes/rc_stereomatching/parameters/parameters?
↳mindepth=<value>
```

#### API version 1 (deprecated)

```
PUT http://<host>/api/v1/nodes/rc_stereomatching/parameters?mindepth=<value>
```

### maxdepth (*Maximum Distance*)

The maximum distance is the largest distance from the camera at which measurements should be possible. Pixels with larger distance values are set to invalid in the disparity image. Setting this value to its maximum permits values up to infinity. The maximum distance is given in meters.

In quality mode `Full`, the actual minimum distance can be higher than the user-defined minimum distance due to memory limitations. In this case, lowering the maximum distance helps to reduce the actual minimum distance.

Via the REST-API, this parameter can be set as follows.

#### API version 2

```
PUT http://<host>/api/v2/pipelines/0/nodes/rc_stereomatching/parameters/parameters?
↳maxdepth=<value>
```

#### API version 1 (deprecated)

```
PUT http://<host>/api/v1/nodes/rc_stereomatching/parameters?maxdepth=<value>
```

### smooth (*Smoothing*)

This option activates advanced smoothing of disparity values. It is only available with a valid StereoPlus license.

Via the REST-API, this parameter can be set as follows.

#### API version 2

```
PUT http://<host>/api/v2/pipelines/0/nodes/rc_stereomatching/parameters/parameters?
↳smooth=<value>
```

#### API version 1 (deprecated)

```
PUT http://<host>/api/v1/nodes/rc_stereomatching/parameters?smooth=<value>
```

### fill (*Fill-in*)

This option is used to fill holes in the disparity image by interpolation. The fill-in value is the maximum allowed disparity step on the border of the hole. Larger fill-in values can decrease the number of holes, but the interpolated values can have larger errors. At most 5% of pixels are interpolated. Interpolation of small holes is preferred over interpolation of larger holes. The confidence for the interpolated pixels is set to a low value of 0.5. A fill-in value of 0 switches hole filling off.

Via the REST-API, this parameter can be set as follows.

#### API version 2

```
PUT http://<host>/api/v2/pipelines/0/nodes/rc_stereomatching/parameters/parameters?  
↔fill=<value>
```

#### API version 1 (deprecated)

```
PUT http://<host>/api/v1/nodes/rc_stereomatching/parameters?fill=<value>
```

### seg (*Segmentation*)

The segmentation parameter is used to set the minimum number of pixels that a connected disparity region in the disparity image must fill. Isolated regions that are smaller are set to invalid in the disparity image. The value is related to the high quality disparity image with half resolution and does not have to be scaled when a different quality is chosen. Segmentation is useful for removing erroneous disparities. However, larger values may also remove real objects.

Via the REST-API, this parameter can be set as follows.

#### API version 2

```
PUT http://<host>/api/v2/pipelines/0/nodes/rc_stereomatching/parameters/parameters?seg=  
↔<value>
```

#### API version 1 (deprecated)

```
PUT http://<host>/api/v1/nodes/rc_stereomatching/parameters?seg=<value>
```

### minconf (*Minimum Confidence*)

The minimum confidence can be set to filter potentially false disparity measurements. All pixels with less confidence than the chosen value are set to invalid in the disparity image.

Via the REST-API, this parameter can be set as follows.

#### API version 2

```
PUT http://<host>/api/v2/pipelines/0/nodes/rc_stereomatching/parameters/parameters?  
↔minconf=<value>
```

#### API version 1 (deprecated)

```
PUT http://<host>/api/v1/nodes/rc_stereomatching/parameters?minconf=<value>
```

**maxdeptherr (Maximum Depth Error)**

The maximum depth error is used to filter measurements that are too inaccurate. All pixels with a larger depth error than the chosen value are set to invalid in the disparity image. The maximum depth error is given in meters. The depth error generally grows quadratically with an object's distance from the camera (see [Confidence and error images](#), Section 6.1.2.3).

Via the REST-API, this parameter can be set as follows.

**API version 2**

```
PUT http://<host>/api/v2/pipelines/0/nodes/rc_stereomatching/parameters/parameters?
↳maxdeptherr=<value>
```

**API version 1 (deprecated)**

```
PUT http://<host>/api/v1/nodes/rc_stereomatching/parameters?maxdeptherr=<value>
```

The same parameters are also available over the GenICam interface with slightly different names and partly with different data types (see [GigE Vision 2.0/GenICam image interface](#), Section 7.2).

**6.1.2.6 Status values**

This module reports the following status values:

Table 6.5: The rc\_stereomatching module's status values

Name	Description
fps	Actual frame rate of the disparity, error, and confidence images. This value is shown in the Web GUI below the image preview as <i>FPS (Hz)</i> .
latency	Time in seconds between image acquisition and publishing of disparity image
width	Current width of the disparity, error, and confidence images in pixels
height	Current height of the disparity, error, and confidence images in pixels
mindepth	Actual minimum working distance in meters
maxdepth	Actual maximum working distance in meters
time_matching	Time in seconds for performing stereo matching using <i>SGM</i> on the GPU
time_postprocessing	Time in seconds for postprocessing the matching result on the CPU
reduced_depth_range	Indicates whether the depth range is reduced due to computation resources

**6.1.2.7 Services**

The stereo matching module offers the following services.

**acquisition\_trigger**

Signals the module to perform stereo matching of the next available images, if the parameter `acquisition_mode` is set to `SingleFrame` or `SingleFrameOut1`.

**Details**

An error is returned if the `acquisition_mode` is set to `Continuous`.

This service can be called as follows.

**API version 2**



```
PUT http://<host>/api/v2/pipelines/0/nodes/rc_stereomatching/services/acquisition_
↪trigger
```

### API version 1 (deprecated)

```
PUT http://<host>/api/v1/nodes/rc_stereomatching/services/acquisition_trigger
```

### Request

This service has no arguments.

### Response

Possible return codes are shown below.

Table 6.6: Possible return codes of the acquisition\_trigger service call.

Code	Description
0	Success
-8	Triggering is only possible in SingleFrame acquisition mode
101	Trigger is ignored, because there is a trigger call pending
102	Trigger is ignored, because there are no subscribers

The definition for the response with corresponding datatypes is:

```
{
  "name": "acquisition_trigger",
  "response": {
    "return_code": {
      "message": "string",
      "value": "int16"
    }
  }
}
```

## reset\_defaults

Restores and applies the default values for this module's parameters ("factory reset").

### Details

This service can be called as follows.

### API version 2

```
PUT http://<host>/api/v2/pipelines/0/nodes/rc_stereomatching/services/reset_defaults
```

### API version 1 (deprecated)

```
PUT http://<host>/api/v1/nodes/rc_stereomatching/services/reset_defaults
```

### Request

This service has no arguments.

### Response

The definition for the response with corresponding datatypes is:

```
{
  "name": "reset_defaults",
  "response": {
    "return_code": {
      "message": "string",
      "value": "int16"
    }
  }
}
```

## 6.2 Detection & Measure modules

The *rc\_visard NG* offers software modules for different detection and measuring applications:

- **Measure** (*rc\_measure*, [Section 6.2.1](#)) provides measure functionalities, such as depth measurements.
- **LoadCarrier** (*rc\_load\_carrier*, [Section 6.2.2](#)) allows detecting load carriers and their filling levels.
- **TagDetect** (*rc\_april\_tag\_detect* and *rc\_qr\_code\_detect*, [Section 6.2.3](#)) allows the detection of AprilTags and QR codes, as well as the estimation of their poses.
- **ItemPick** (*rc\_itempick*, [Section 6.2.4](#)) provides an out-of-the-box perception solution for robotic pick-and-place applications of unknown objects.
- **BoxPick** (*rc\_boxpick*, [Section 6.2.5](#)) provides an out-of-the-box perception solution for robotic pick-and-place applications of boxes or textured boxes.
- **SilhouetteMatch** (*rc\_silhouettematch*, [Section 6.2.6](#)) provides an object detection solution for objects placed on a plane or stacked planar objects.
- **CADMatch** (*rc\_cadmatch*, [Section 6.2.7](#)) provides an object detection solution for 3D objects.

These modules are optional and can be activated by purchasing a separate *license* ([Section 9.7](#)).

### 6.2.1 Measure

#### 6.2.1.1 Introduction

The Measure module allows measuring of depth values in a specific region of interest.

The Measure module is an on-board module of the *rc\_visard NG*.

#### 6.2.1.2 Measuring Depth

The Measure module provides functionality to measure depth values in the current scene in a 2D region of interest. Optionally, the region of interest can be subdivided into up to 100 cells, for which separate depth measurements are returned in addition to the overall depth measurements of the whole region.

A depth measurement consist of the average depth *mean\_z*, the minimum depth *min\_z* and the maximum depth *max\_z*, each containing 3D coordinates. The coordinates of the *min\_z* and *max\_z* measurements correspond to the point in the cell or overall region with the minimum and maximum distance from the camera, respectively. The *x* and *y* coordinates of the *mean\_z* measurements define a point in the center of the cell or the overall region and the *z* coordinate is determined by the average of all depth value measurements (distances from the camera) in this region. Additionally, a *coverage* value is returned for each cell and the overall region, which is a number between 0 and 1 that reflects the fraction of valid depth values inside the respective region. A coverage value of 0 means that the cell is invalid and no depth value could be computed.

When the external `pose_frame` is used for the depth measurements, all 3D coordinates are computed as described above, but then transformed to the external frame. That means, the depth is always measured along the line of sight of the camera, independently of the chosen pose frame.

### 6.2.1.3 Interaction with other modules

Internally, the Measure module depends on, and interacts with other on-board modules as listed below.

**Note:** All changes and configuration updates to these modules will affect the performance of the Measure module.

## Depth Images

The Measure module internally makes use of the following data:

- Disparity images from the *Stereo matching* module (`rc_stereomatching`, Section 6.1.2)

## IO and Projector Control

In case the *rc\_visard NG* is used in conjunction with an external random dot projector and the *IO and Projector Control* module (`rc_iocontrol`, Section 6.3.4), it is recommended to connect the projector to GPIO Out 1 and set the stereo-camera module's acquisition mode to `SingleFrameOut1` (see *Stereo matching parameters*, Section 6.1.2.5), so that on each image acquisition trigger an image with and without projector pattern is acquired.

Alternatively, the output mode for the GPIO output in use should be set to `ExposureAlternateActive` (see *Description of run-time parameters*, Section 6.3.4.1).

In either case, the *Auto Exposure Mode* `exp_auto_mode` should be set to `AdaptiveOut1` to optimize the exposure of both images (see *Stereo camera parameters*, Section 6.1.1.3).

No additional changes are required to use the Measure module in combination with a random dot projector.

## Hand-eye calibration

In case the camera has been calibrated to a robot, the Measure module can automatically provide points in the robot coordinate frame. For the Measure node's *Services* (Section 6.2.1.6), the frame of the output points can be controlled with the `pose_frame` argument.

Two different `pose_frame` values can be chosen:

1. **Camera frame** (`camera`). All points provided by the module are in the camera frame, and no prior knowledge about the pose of the camera in the environment is required. It is the user's responsibility to update the configured points if the camera frame moves (e.g. with a robot-mounted camera).
2. **External frame** (`external`). All points provided by the module are in the external frame, configured by the user during the hand-eye calibration process. The module relies on the on-board *Hand-eye calibration module* (Section 6.3.1) to retrieve the sensor mounting (static or robot mounted) and the hand-eye transformation. If the mounting is static, no further information is needed. If the sensor is robot-mounted, the `robot_pose` is required to transform poses to and from the external frame.

**Note:** If no hand-eye calibration is available, all `pose_frame` values should be set to `camera`.

All `pose_frame` values that are not `camera` or `external` are rejected.

### 6.2.1.4 Parameters

The Measure module is called `rc_measure` in the REST-API and is represented in the *Web GUI* (Section 7.1) under *Modules* → *Measure*.

#### Parameter overview

This module has no run-time parameters.

### 6.2.1.5 Status values

The Measure module reports the following status values:

Table 6.7: The `rc_measure` module's status values

Name	Description
<code>data_acquisition_time</code>	Time in seconds required to acquire depth image
<code>last_timestamp_processed</code>	The timestamp of the last processed depth image
<code>processing_time</code>	Processing time of the last measurement in seconds

### 6.2.1.6 Services

The user can explore and call the Measure module's services, e.g. for development and testing, using the *REST-API interface* (Section 7.3) or the *rc\_visard NG Web GUI* (Section 7.1) on the *Measure* page under *Modules*.

The Measure module offers the following services.

#### `measure_depth`

Computes the mean, minimum and maximum depth in a given region of interest, which can optionally be subdivided into cells.

#### Details

This service can be called as follows.

#### API version 2

```
PUT http://<host>/api/v2/pipelines/0/nodes/rc_measure/services/measure_depth
```

#### API version 1 (deprecated)

```
PUT http://<host>/api/v1/nodes/rc_measure/services/measure_depth
```

#### Request

Required arguments:

`pose_frame`: see *Hand-eye calibration* (Section 6.2.1.3).

Optional arguments:

`region_of_interest_2d_id` is the ID of the 2D region of interest (see *RoiDB*, Section 6.4.2) that will be used for the depth measurements.

`region_of_interest_2d` is an alternative on-the-fly definition of the region of interest for the depth measurements. This region of interest will be ignored if a `region_of_interest_2d_id` is given. The region of interest is always defined on the camera image with full resolution, where `offset_x` and `offset_y` are the pixel

coordinates of the upper left corner of the rectangular region of interest, and `width` and `height` are the width and height of it in pixels. Default is a region of interest covering the whole image.

`cell_count` is the number of cells in `x` and `y` direction into which the region of interest is divided. If not given, a cell count of 0, 0 is assumed and only the overall values will be computed. The total cell count is computed as product of the `x` and `y` values must not exceed 100.

`data_acquisition_mode`: if set to `CAPTURE_NEW` (default), a new image dataset will be used for the measurement. If set to `USE_LAST`, the previous dataset will be used for the measurement.

Potentially required arguments:

`robot_pose`: see [Hand-eye calibration](#) (Section 6.2.1.3).

The definition for the request arguments with corresponding datatypes is:

```
{
  "args": {
    "cell_count": {
      "x": "uint32",
      "y": "uint32"
    },
    "data_acquisition_mode": "string",
    "pose_frame": "string",
    "region_of_interest_2d": {
      "height": "uint32",
      "offset_x": "uint32",
      "offset_y": "uint32",
      "width": "uint32"
    },
    "region_of_interest_2d_id": "string",
    "robot_pose": {
      "orientation": {
        "w": "float64",
        "x": "float64",
        "y": "float64",
        "z": "float64"
      },
      "position": {
        "x": "float64",
        "y": "float64",
        "z": "float64"
      }
    }
  }
}
```

### Response

`cells` contains the depth measurements of all requested cells. The cells are always ordered from left to right and top to bottom in image coordinates.

`overall` contains the depth measurements of the full region of interest.

`coverage` contains the valid pixel ratio as described in [Measuring Depth](#) (Section 6.2.1.2).

`mean_z`, `min_z` and `max_z` contains the measurement coordinates as described in [Measuring Depth](#) (Section 6.2.1.2).

`region_of_interest_2d` returns the definition of the requested region of interest for the depth measurement.

`pose_frame` contains the pose frame of the depth measurement coordinates.

The definition for the response with corresponding datatypes is:

```
{
  "name": "measure_depth",
  "response": {
    "cell_count": {
      "x": "uint32",
      "y": "uint32"
    },
    "cells": [
      {
        "coverage": "float64",
        "max_z": {
          "x": "float64",
          "y": "float64",
          "z": "float64"
        },
        "mean_z": {
          "x": "float64",
          "y": "float64",
          "z": "float64"
        },
        "min_z": {
          "x": "float64",
          "y": "float64",
          "z": "float64"
        }
      }
    ],
    "overall": {
      "coverage": "float64",
      "max_z": {
        "x": "float64",
        "y": "float64",
        "z": "float64"
      },
      "mean_z": {
        "x": "float64",
        "y": "float64",
        "z": "float64"
      },
      "min_z": {
        "x": "float64",
        "y": "float64",
        "z": "float64"
      }
    },
    "pose_frame": "string",
    "region_of_interest_2d": {
      "height": "uint32",
      "offset_x": "uint32",
      "offset_y": "uint32",
      "width": "uint32"
    },
    "return_code": {
      "message": "string",
      "value": "int16"
    },
    "timestamp": {
      "nsec": "int32",
      "sec": "int32"
    }
  }
}
```

(continues on next page)

(continued from previous page)

```
}

```

### 6.2.1.7 Return codes

Each service response contains a `return_code`, which consists of a value plus an optional message. A successful service returns with a `return_code` value of 0. Negative `return_code` values indicate that the service failed. Positive `return_code` values indicate that the service succeeded with additional information. The smaller value is selected in case a service has multiple `return_code` values, but all messages are appended in the `return_code` message.

The following table contains a list of common codes:

Table 6.8: Return codes of the Measure module's services

Code	Description
0	Success
-1	An invalid argument was provided

## 6.2.2 LoadCarrier

### 6.2.2.1 Introduction

The LoadCarrier module allows the detection of load carriers, which is usually the first step when objects or grasp points inside a bin should be found. The models of the load carriers to be detected have to be defined in the [LoadCarrierDB](#) (Section 6.4.1) module.

The LoadCarrier module is an optional on-board module of the *rc\_visard NG* and is licensed with any of the modules [ItemPick](#) (Section 6.2.4) and [BoxPick](#) (Section 6.2.5) or [CADMatch](#) (Abschnitt 6.2.7) und [SilhouetteMatch](#) (Abschnitt 6.2.6). Otherwise it requires a separate LoadCarrier *license* (Section 9.7) to be purchased.

### 6.2.2.2 Detection of load carriers

The load carrier detection algorithm detects load carriers that match a specific load carrier model, which must be defined in the [LoadCarrierDB](#) (Section 6.4.1) module. The load carrier model is referenced by its ID, which is passed to the load carrier detection. The detection of a load carrier is based on the detection of its rectangular rim. For this, it uses lines detected in the left camera image and the depth values of the load carrier rim. Thus, the rim should form a contrast to the background and the disparity image must be dense on the rim.

If multiple load carriers of the specified load carrier ID are visible in the scene, all of them will be detected and returned by the load carrier detection.

By default, when `assume_gravity_aligned` is true and gravity measurements are available, the algorithm searches for load carriers whose rim planes are perpendicular to the measured gravity vector. To detect tilted load carriers, `assume_gravity_aligned` must be set to false or the load carrier's approximate orientation must be specified as `pose` and the `pose_type` should be set to `ORIENTATION_PRIOR`.

Load carriers can be detected at a distance of up to 3 meters from the camera.

When a 3D region of interest (see [RoiDB](#), Section 6.4.2) is used to limit the volume in which load carriers should be detected, only the load carriers' rims must be fully included in the region of interest.

The detection algorithm returns the poses of the load carriers' origins (see [Load carrier definition](#), Section 6.4.1.2) in the desired pose frame.

The detection functionality also determines if the detected load carriers are *overfilled*, which means, that objects protrude from the plane defined by the load carrier's outer part of the rim.

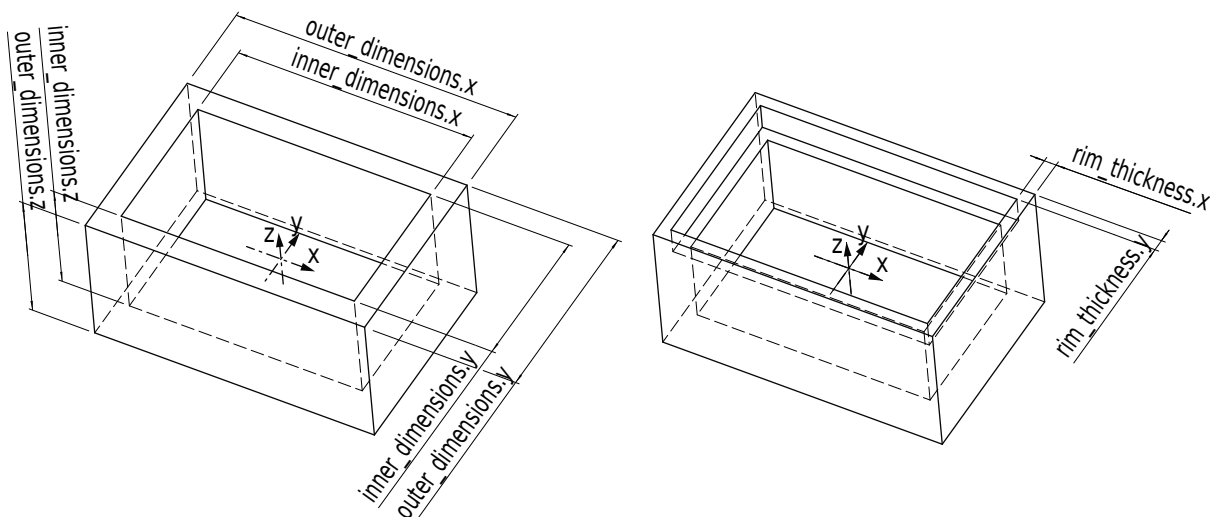


Fig. 6.5: Load carrier models and reference frames

### 6.2.2.3 Detection of filling level

The LoadCarrier module offers the `detect_filling_level` service to compute the filling level of all detected load carriers.

The load carriers are subdivided into a configurable number of cells in a 2D grid. The maximum number of cells is 10x10. For each cell, the following values are reported:

- `level_in_percent`: minimum, maximum and mean cell filling level in percent from the load carrier floor. These values can be larger than 100% if the cell is overfilled.
- `level_free_in_meters`: minimum, maximum and mean cell free level in meters from the load carrier rim. These values can be negative if the cell is overfilled.
- `cell_size`: dimensions of the 2D cell in meters.
- `cell_position`: position of the cell center in meters (either in camera or external frame, see [Hand-eye calibration](#), Section 6.2.2.4). The z-coordinate is on the level of the load carrier rim.
- `coverage`: represents the proportion of valid pixels in this cell. It varies between 0 and 1 with steps of 0.1. A low coverage indicates that the cell contains several missing data (i.e. only a few points were actually measured in this cell).

These values are also calculated for the whole load carrier itself. If no cell subdivision is specified, only the overall filling level is computed.

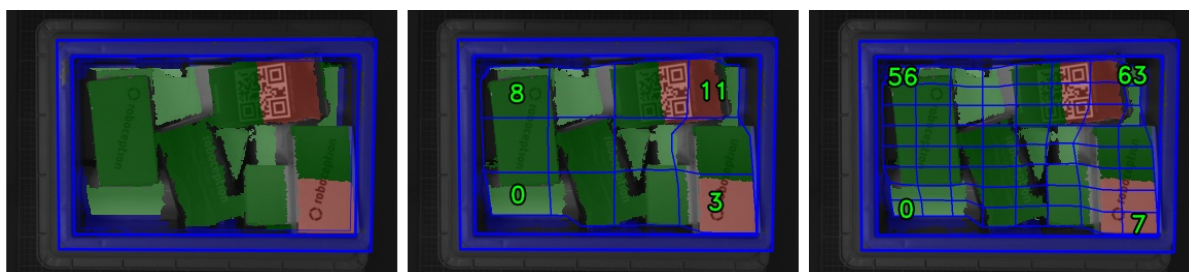


Fig. 6.6: Visualizations of the load carrier filling level: overall filling level without grid (left), 4x3 grid (center), 8x8 grid (right). The load carrier content is shown in a green gradient from white (on the load carrier floor) to dark green. The overfilled regions are visualized in red. Numbers indicate cell IDs.



### 6.2.2.4 Interaction with other modules

Internally, the LoadCarrier module depends on, and interacts with other on-board modules as listed below.

**Note:** All changes and configuration updates to these modules will affect the performance of the LoadCarrier module.

#### Stereo camera and Stereo matching

The LoadCarrier module makes internally use of the following data:

- Rectified images from the *Camera* module (`rc_camera`, Section 6.1.1);
- Disparity, error, and confidence images from the *Stereo matching* module (`rc_stereomatching`, Section 6.1.2).

All processed images are guaranteed to be captured after the module trigger time.

#### IO and Projector Control

In case the *rc\_visard NG* is used in conjunction with an external random dot projector and the *IO and Projector Control* module (`rc_iocontrol`, Section 6.3.4), it is recommended to connect the projector to GPIO Out 1 and set the stereo-camera module's acquisition mode to `SingleFrameOut1` (see *Stereo matching parameters*, Section 6.1.2.5), so that on each image acquisition trigger an image with and without projector pattern is acquired.

Alternatively, the output mode for the GPIO output in use should be set to `ExposureAlternateActive` (see *Description of run-time parameters*, Section 6.3.4.1).

In either case, the *Auto Exposure Mode* `exp_auto_mode` should be set to `AdaptiveOut1` to optimize the exposure of both images (see *Stereo camera parameters*, Section 6.1.1.3).

No additional changes are required to use the LoadCarrier module in combination with a random dot projector.

#### Hand-eye calibration

In case the camera has been calibrated to a robot, the LoadCarrier module can automatically provide poses in the robot coordinate frame. For the LoadCarrier node's *Services* (Section 6.2.2.7), the frame of the output poses can be controlled with the `pose_frame` argument.

Two different `pose_frame` values can be chosen:

1. **Camera frame** (`camera`). All poses provided by the module are in the camera frame, and no prior knowledge about the pose of the camera in the environment is required. This means that the configured load carriers move with the camera. It is the user's responsibility to update the configured poses if the camera frame moves (e.g. with a robot-mounted camera).
2. **External frame** (`external`). All poses provided by the module are in the external frame, configured by the user during the hand-eye calibration process. The module relies on the on-board *Hand-eye calibration module* (Section 6.3.1) to retrieve the sensor mounting (static or robot mounted) and the hand-eye transformation. If the mounting is static, no further information is needed. If the sensor is robot-mounted, the `robot_pose` is required to transform poses to and from the external frame.

**Note:** If no hand-eye calibration is available, all `pose_frame` values should be set to `camera`.

All `pose_frame` values that are not `camera` or `external` are rejected.

### 6.2.2.5 Parameters

The LoadCarrier module is called `rc_load_carrier` in the REST-API and is represented in the [Web GUI](#) (Section 7.1) under *Modules* → *LoadCarrier*. The user can explore and configure the LoadCarrier module's run-time parameters, e.g. for development and testing, using the Web GUI or the [REST-API interface](#) (Section 7.3).

#### Parameter overview

This module offers the following run-time parameters:

Table 6.9: The `rc_load_carrier` module's run-time parameters

Name	Type	Min	Max	Default	Description
<code>assume_gravity_aligned</code>	bool	false	true	true	When true, only gravity-aligned load carriers are detected, if gravity measurement is available.
<code>crop_distance</code>	float64	0.0	0.05	0.005	Safety margin in meters by which the load carrier inner dimensions are reduced to define the region of interest for detection
<code>min_plausibility</code>	float64	0.0	0.99	0.8	Indicates how much of the plane surrounding the load carrier rim must be free to count as valid detection
<code>model_tolerance</code>	float64	0.003	0.025	0.008	Indicates how much the estimated load carrier dimensions are allowed to differ from the load carrier model dimensions in meters

#### Description of run-time parameters

Each run-time parameter is represented by a row on the *LoadCarrier Settings* section of the Web GUI's *LoadCarrier* page under *Modules*. The name in the Web GUI is given in brackets behind the parameter name and the parameters are listed in the order they appear in the Web GUI. The parameters are prefixed with `load_carrier_` when they are used outside the `rc_load_carrier` module from another detection module using the [REST-API interface](#) (Section 7.3).

#### `assume_gravity_aligned` (**Assume Gravity Aligned**)

If this parameter is set to true, then only load carriers without tilt will be detected. This can speed up the detection. If this parameter is set to false, tilted load carriers will also be detected.

This parameter is ignored for load carriers with an orientation prior.

**model\_tolerance** (*Model Tolerance*)

indicates how much the estimated load carrier dimensions are allowed to differ from the load carrier model dimensions in meters.

Via the REST-API, this parameter can be set as follows.

**API version 2**

```
PUT http://<host>/api/v2/pipelines/0/nodes/rc_load_carrier/parameters?model_tolerance=
↔<value>
```

**API version 1 (deprecated)**

```
PUT http://<host>/api/v1/nodes/rc_load_carrier/parameters?model_tolerance=<value>
```

**crop\_distance** (*Crop Distance*)

sets the safety margin in meters by which the load carrier's inner dimensions are reduced to define the region of interest for detection (ref. [Fig. 6.38](#)).

Via the REST-API, this parameter can be set as follows.

**API version 2**

```
PUT http://<host>/api/v2/pipelines/0/nodes/rc_load_carrier/parameters?crop_distance=
↔<value>
```

**API version 1 (deprecated)**

```
PUT http://<host>/api/v1/nodes/rc_load_carrier/parameters?crop_distance=<value>
```

**min\_plausibility** (*Minimum Plausibility*):

The minimum plausibility defines how much of the plane around the load carrier rim must at least be free to count as valid detection. Increase the minimal plausibility to reject false positive detections and decrease the value in case a clearly visible load carrier cannot be detected.

Via the REST-API, this parameter can be set as follows.

**API version 2**

```
PUT http://<host>/api/v2/pipelines/0/nodes/rc_load_carrier/parameters?min_plausibility=
↔<value>
```

**API version 1 (deprecated)**

```
PUT http://<host>/api/v1/nodes/rc_load_carrier/parameters?min_plausibility=<value>
```

**6.2.2.6 Status values**

The LoadCarrier module reports the following status values:

Table 6.10: The rc\_load\_carrier module's status values

Name	Description
data_acquisition_time	Time in seconds required to acquire image pair
last_timestamp_processed	The timestamp of the last processed image pair
load_carrier_detection_time	Processing time of the last detection in seconds

### 6.2.2.7 Services

The user can explore and call the LoadCarrier module's services, e.g. for development and testing, using the [REST-API interface](#) (Section 7.3) or the [rc\\_visard NG Web GUI](#) (Section 7.1) on the *LoadCarrier* page under *Modules*.

The LoadCarrier module offers the following services.

#### detect\_load\_carriers

Triggers a load carrier detection as described in [Detection of load carriers](#) (Section 6.2.2.2).

#### Details

This service can be called as follows.

#### API version 2

```
PUT http://<host>/api/v2/pipelines/0/nodes/rc_load_carrier/services/detect_load_
↔carriers
```

#### API version 1 (deprecated)

```
PUT http://<host>/api/v1/nodes/rc_load_carrier/services/detect_load_carriers
```

#### Request

Required arguments:

pose\_frame: see [Hand-eye calibration](#) (Section 6.2.2.4).

load\_carrier\_ids: IDs of the load carriers which should be detected. Currently only one ID can be specified.

Potentially required arguments:

robot\_pose: see [Hand-eye calibration](#) (Section 6.2.2.4).

Optional arguments:

region\_of\_interest\_id: ID of the 3D region of interest where to search for the load carriers.

region\_of\_interest\_2d\_id: ID of the 2D region of interest where to search for the load carriers.

**Note:** Only one type of region of interest can be set.

The definition for the request arguments with corresponding datatypes is:

```
{
  "args": {
    "load_carrier_ids": [
      "string"
    ],
    "pose_frame": "string",
    "region_of_interest_2d_id": "string",
    "region_of_interest_id": "string",
    "robot_pose": {
      "orientation": {
        "w": "float64",
        "x": "float64",
        "y": "float64",
        "z": "float64"
      }
    }
  }
}
```

(continues on next page)

(continued from previous page)

```

    },
    "position": {
      "x": "float64",
      "y": "float64",
      "z": "float64"
    }
  }
}
}

```

**Response**

load\_carriers: list of detected load carriers.

timestamp: timestamp of the image set the detection ran on.

return\_code: holds possible warnings or error codes and messages.

The definition for the response with corresponding datatypes is:

```

{
  "name": "detect_load_carriers",
  "response": {
    "load_carriers": [
      {
        "height_open_side": "float64",
        "id": "string",
        "inner_dimensions": {
          "x": "float64",
          "y": "float64",
          "z": "float64"
        },
        "outer_dimensions": {
          "x": "float64",
          "y": "float64",
          "z": "float64"
        },
        "overfilled": "bool",
        "pose": {
          "orientation": {
            "w": "float64",
            "x": "float64",
            "y": "float64",
            "z": "float64"
          },
          "position": {
            "x": "float64",
            "y": "float64",
            "z": "float64"
          }
        },
        "pose_frame": "string",
        "rim_ledge": {
          "x": "float64",
          "y": "float64"
        },
        "rim_step_height": "float64",
        "rim_thickness": {
          "x": "float64",
          "y": "float64"
        },
        "type": "string"
      }
    ]
  }
}

```

(continues on next page)

(continued from previous page)

```

    }
  ],
  "return_code": {
    "message": "string",
    "value": "int16"
  },
  "timestamp": {
    "nsec": "int32",
    "sec": "int32"
  }
}
}
}

```

### detect\_filling\_level

Triggers a load carrier filling level detection as described in [Detection of filling level](#) (Section 6.2.2.3).

#### Details

This service can be called as follows.

#### API version 2

```
PUT http://<host>/api/v2/pipelines/0/nodes/rc_load_carrier/services/detect_filling_
↪level
```

#### API version 1 (deprecated)

```
PUT http://<host>/api/v1/nodes/rc_load_carrier/services/detect_filling_level
```

#### Request

Required arguments:

pose\_frame: see [Hand-eye calibration](#) (Section 6.2.2.4).

load\_carrier\_ids: IDs of the load carriers which should be detected. Currently only one ID can be specified.

Potentially required arguments:

robot\_pose: see [Hand-eye calibration](#) (Section 6.2.2.4).

Optional arguments:

filling\_level\_cell\_count: Number of cells in the filling level grid.

region\_of\_interest\_id: ID of the 3D region of interest where to search for the load carriers.

region\_of\_interest\_2d\_id: ID of the 2D region of interest where to search for the load carriers.

**Note:** Only one type of region of interest can be set.

The definition for the request arguments with corresponding datatypes is:

```

{
  "args": {
    "filling_level_cell_count": {
      "x": "uint32",

```

(continues on next page)

(continued from previous page)

```

    "y": "uint32"
  },
  "load_carrier_ids": [
    "string"
  ],
  "pose_frame": "string",
  "region_of_interest_2d_id": "string",
  "region_of_interest_id": "string",
  "robot_pose": {
    "orientation": {
      "w": "float64",
      "x": "float64",
      "y": "float64",
      "z": "float64"
    },
    "position": {
      "x": "float64",
      "y": "float64",
      "z": "float64"
    }
  }
}
}
}

```

### Response

load\_carriers: list of detected load carriers and their filling levels.

timestamp: timestamp of the image set the detection ran on.

return\_code: holds possible warnings or error codes and messages.

The definition for the response with corresponding datatypes is:

```

{
  "name": "detect_filling_level",
  "response": {
    "load_carriers": [
      {
        "cells_filling_levels": [
          {
            "cell_position": {
              "x": "float64",
              "y": "float64",
              "z": "float64"
            },
            "cell_size": {
              "x": "float64",
              "y": "float64"
            },
            "coverage": "float64",
            "level_free_in_meters": {
              "max": "float64",
              "mean": "float64",
              "min": "float64"
            },
            "level_in_percent": {
              "max": "float64",
              "mean": "float64",
              "min": "float64"
            }
          }
        ]
      }
    ]
  }
}

```

(continues on next page)

(continued from previous page)

```
    ],
    "filling_level_cell_count": {
      "x": "uint32",
      "y": "uint32"
    },
    "height_open_side": "float64",
    "id": "string",
    "inner_dimensions": {
      "x": "float64",
      "y": "float64",
      "z": "float64"
    },
    "outer_dimensions": {
      "x": "float64",
      "y": "float64",
      "z": "float64"
    },
    "overall_filling_level": {
      "cell_position": {
        "x": "float64",
        "y": "float64",
        "z": "float64"
      },
      "cell_size": {
        "x": "float64",
        "y": "float64"
      },
      "coverage": "float64",
      "level_free_in_meters": {
        "max": "float64",
        "mean": "float64",
        "min": "float64"
      },
      "level_in_percent": {
        "max": "float64",
        "mean": "float64",
        "min": "float64"
      }
    },
    "overfilled": "bool",
    "pose": {
      "orientation": {
        "w": "float64",
        "x": "float64",
        "y": "float64",
        "z": "float64"
      },
      "position": {
        "x": "float64",
        "y": "float64",
        "z": "float64"
      }
    },
    "pose_frame": "string",
    "rim_ledge": {
      "x": "float64",
      "y": "float64"
    },
    "rim_step_height": "float64",
    "rim_thickness": {
      "x": "float64",
```

(continues on next page)



(continued from previous page)

```

        "y": "float64"
      },
      "type": "string"
    }
  ],
  "return_code": {
    "message": "string",
    "value": "int16"
  },
  "timestamp": {
    "nsec": "int32",
    "sec": "int32"
  }
}
}
}

```

### reset\_defaults

Restores and applies the default values for this module's parameters ("factory reset").

#### Details

This service can be called as follows.

#### API version 2

```
PUT http://<host>/api/v2/pipelines/0/nodes/rc_load_carrier/services/reset_defaults
```

#### API version 1 (deprecated)

```
PUT http://<host>/api/v1/nodes/rc_load_carrier/services/reset_defaults
```

#### Request

This service has no arguments.

#### Response

The definition for the response with corresponding datatypes is:

```

{
  "name": "reset_defaults",
  "response": {
    "return_code": {
      "message": "string",
      "value": "int16"
    }
  }
}
}

```

### set\_load\_carrier (deprecated)

Persistently stores a load carrier on the *rc\_visard NG*.

#### API version 2

This service is not available in API version 2. Use [set\\_load\\_carrier](#) (Section 6.4.1.5) in *rc\_load\_carrier\_db* instead.

#### API version 1 (deprecated)

This service can be called as follows.

```
PUT http://<host>/api/v1/nodes/rc_load_carrier/services/set_load_carrier
```

The definitions of the request and response are the same as described in [set\\_load\\_carrier](#) (Section 6.4.1.5) in rc\_load\_carrier\_db.

### **get\_load\_carriers (deprecated)**

Returns the configured load carriers with the requested load\_carrier\_ids.

#### **API version 2**

This service is not available in API version 2. Use [get\\_load\\_carriers](#) (Section 6.4.1.5) in rc\_load\_carrier\_db instead.

#### **API version 1 (deprecated)**

This service can be called as follows.

```
PUT http://<host>/api/v1/nodes/rc_load_carrier/services/get_load_carriers
```

The definitions of the request and response are the same as described in [get\\_load\\_carriers](#) (Section 6.4.1.5) in rc\_load\_carrier\_db.

### **delete\_load\_carriers (deprecated)**

Deletes the configured load carriers with the requested load\_carrier\_ids.

#### **API version 2**

This service is not available in API version 2. Use [delete\\_load\\_carriers](#) (Section 6.4.1.5) in rc\_load\_carrier\_db instead.

#### **API version 1 (deprecated)**

This service can be called as follows.

```
PUT http://<host>/api/v1/nodes/rc_load_carrier/services/delete_load_carriers
```

The definitions of the request and response are the same as described in [delete\\_load\\_carriers](#) (Section 6.4.1.5) in rc\_load\_carrier\_db.

### **set\_region\_of\_interest (deprecated)**

Persistently stores a 3D region of interest on the rc\_visard NG.

#### **API version 2**

This service is not available in API version 2. Use [set\\_region\\_of\\_interest](#) (Section 6.4.2.4) in rc\_roi\_db instead.

#### **API version 1 (deprecated)**

This service can be called as follows.

```
PUT http://<host>/api/v1/nodes/rc_load_carrier/services/set_region_of_interest
```

The definitions of the request and response are the same as described in [set\\_region\\_of\\_interest](#) (Section 6.4.2.4) in rc\_roi\_db.

### get\_regions\_of\_interest (deprecated)

Returns the configured 3D regions of interest with the requested `region_of_interest_ids`.

#### API version 2

This service is not available in API version 2. Use [get\\_regions\\_of\\_interest](#) (Section 6.4.2.4) in `rc_roi_db` instead.

#### API version 1 (deprecated)

This service can be called as follows.

```
PUT http://<host>/api/v1/nodes/rc_load_carrier/services/get_regions_of_interest
```

The definitions of the request and response are the same as described in [get\\_regions\\_of\\_interest](#) (Section 6.4.2.4) in `rc_roi_db`.

### delete\_regions\_of\_interest (deprecated)

Deletes the configured 3D regions of interest with the requested `region_of_interest_ids`.

#### API version 2

This service is not available in API version 2. Use [delete\\_regions\\_of\\_interest](#) (Section 6.4.2.4) in `rc_roi_db` instead.

#### API version 1 (deprecated)

This service can be called as follows.

```
PUT http://<host>/api/v1/nodes/rc_load_carrier/services/delete_regions_of_interest
```

The definitions of the request and response are the same as described in [delete\\_regions\\_of\\_interest](#) (Section 6.4.2.4) in `rc_roi_db`.

### set\_region\_of\_interest\_2d (deprecated)

Persistently stores a 2D region of interest on the `rc_visard NG`.

#### API version 2

This service is not available in API version 2. Use [set\\_region\\_of\\_interest\\_2d](#) (Section 6.4.2.4) in `rc_roi_db` instead.

#### API version 1 (deprecated)

This service can be called as follows.

```
PUT http://<host>/api/v1/nodes/rc_load_carrier/services/set_region_of_interest_2d
```

The definitions of the request and response are the same as described in [set\\_region\\_of\\_interest\\_2d](#) (Section 6.4.2.4) in `rc_roi_db`.

### get\_regions\_of\_interest\_2d (deprecated)

Returns the configured 2D regions of interest with the requested `region_of_interest_2d_ids`.

#### API version 2

This service is not available in API version 2. Use [get\\_regions\\_of\\_interest\\_2d](#) (Section 6.4.2.4) in `rc_roi_db` instead.

**API version 1 (deprecated)**

This service can be called as follows.

```
PUT http://<host>/api/v1/nodes/rc_load_carrier/services/get_region_of_interest_2d
```

The definitions of the request and response are the same as described in [get\\_regions\\_of\\_interest\\_2d](#) (Section 6.4.2.4) in rc\_roi\_db.

**delete\_regions\_of\_interest\_2d (deprecated)**

Deletes the configured 2D regions of interest with the requested region\_of\_interest\_2d\_ids.

**API version 2**

This service is not available in API version 2. Use [delete\\_regions\\_of\\_interest\\_2d](#) (Section 6.4.2.4) in rc\_roi\_db instead.

**API version 1 (deprecated)**

This service can be called as follows.

```
PUT http://<host>/api/v1/nodes/rc_load_carrier/services/delete_regions_of_interest_2d
```

The definitions of the request and response are the same as described in [delete\\_regions\\_of\\_interest\\_2d](#) (Section 6.4.2.4) in rc\_roi\_db.

**6.2.2.8 Return codes**

Each service response contains a return\_code, which consists of a value plus an optional message. A successful service returns with a return\_code value of 0. Negative return\_code values indicate that the service failed. Positive return\_code values indicate that the service succeeded with additional information. The smaller value is selected in case a service has multiple return\_code values, but all messages are appended in the return\_code message.

The following table contains a list of common codes:

Table 6.11: Return codes of the LoadCarrier module's services

Code	Description
0	Success
-1	An invalid argument was provided
-4	Data acquisition took longer than allowed
-10	New element could not be added as the maximum storage capacity of load carriers has been exceeded
-11	Sensor not connected, not supported or not ready
-302	More than one load carrier provided to the detect_load_carriers or detect_filling_level services, but only one is supported
3	The detection timeout during load carrier detection has been reached. Consider reducing the model tolerance.
10	The maximum storage capacity of load carriers has been reached
11	An existent persistent model was overwritten by the call to set_load_carrier
100	The requested load carriers were not detected in the scene
102	The detected load carrier has no points inside
300	A valid robot_pose was provided as argument but it is not required

## 6.2.3 TagDetect

### 6.2.3.1 Introduction

The TagDetect modules are optional on-board modules of the *rc\_visard NG* and require separate *licenses* (Section 9.7) to be purchased. The licenses are included in every *rc\_visard NG* purchased after 01.07.2020.

The TagDetect modules run on board the *rc\_visard NG* and allow the detection of 2D matrix codes and tags. Currently, there are TagDetect modules for *QR codes* and *AprilTags*. The modules, furthermore, compute the position and orientation of each tag in the 3D camera coordinate system, making it simple to manipulate a tag with a robot or to localize the camera with respect to a tag.

Tag detection is made up of three steps:

1. Tag reading on the 2D image pair (see *Tag reading*, Section 6.2.3.2).
2. Estimation of the pose of each tag (see *Pose estimation*, Section 6.2.3.3).
3. Re-identification of previously seen tags (see *Tag re-identification*, Section 6.2.3.4).

In the following, the two supported tag types are described, followed by a comparison.

#### QR code



Fig. 6.7: Sample QR code

QR codes are two-dimensional matrix codes that contain arbitrary user-defined data. There is wide support for decoding of QR codes on commodity hardware such as smartphones. Also, many online and offline tools are available for the generation of such codes.

The “pixels” of a QR code are called *modules*. Appearance and resolution of QR codes change with the amount of data they contain. While the special patterns in the three corners are always 7 modules wide, the number of modules between them increases the more data is stored. The lowest-resolution QR code is of size 21x21 modules and can contain up to 152 bits.

Even though many QR code generation tools support generation of specially designed QR codes (e.g., containing a logo, having round corners, or having dots as modules), a reliable detection of these tags by the *rc\_visard NG*'s TagDetect module is not guaranteed. The same holds for QR codes which contain characters that are not part of regular ASCII.

## AprilTag

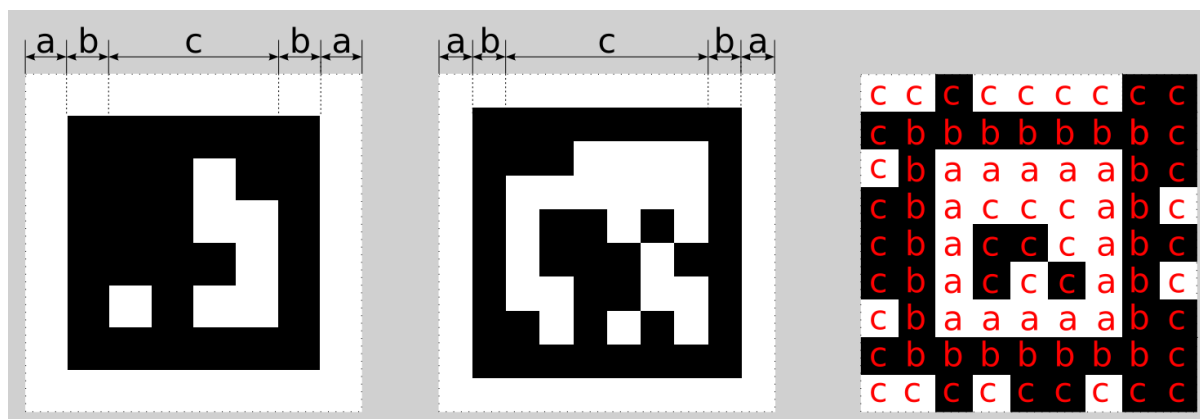


Fig. 6.8: A 16h5 tag (left), a 36h11 tag (center) and a 41h12 tag (right). AprilTags consist of a mandatory white (a) and black (b) border and a variable amount of data bits (c).

AprilTags are similar to QR codes. However, they are specifically designed for robust identification at large distances. As for QR codes, we will call the tag pixels *modules*. Fig. 6.8 shows how AprilTags are structured. They have a mandatory white and black border, each one module wide. The tag families 16h5, 25h9, 36h10 and 36h11 are surrounded by this border and carry a variable amount of data modules in the center. For tag family 41h12, the black and white border is shifted towards the inside and the data modules are in the center and also at the border of the tags. Other than QR codes, AprilTags do not contain any user-defined information but are identified by a predefined *family* and *ID*. The tags in Fig. 6.8 for example are of family 16h5, 36h11 and 41h12 have id 0, 11 and 0, respectively. All supported families are shown in Table 6.12.

Table 6.12: AprilTag families

Family	Number of tag IDs	Recommended
16h5	30	-
25h9	35	o
36h10	2320	o
36h11	587	+
41h12	2115	+

For each family, the number before the “h” states the number of data modules contained in the tag: While a 16h5 tag contains 16 (4x4) data modules ((c) in Fig. 6.8), a 36h11 tag contains 36 (6x6) modules and a 41h12 tag contains 41 (3x3 inner + 4x8 outer) modules. The number behind the “h” refers to the Hamming distance between two tags of the same family. The higher, the more robust is the detection, but the fewer individual tag IDs are available for the same number of data modules (see Table 6.12).

The advantage of fewer modules (as for 16h5 compared to 36h11) is the lower resolution of the tag. Hence, each tag module is larger and the tag therefore can be detected from a larger distance. This, however, comes at a price: Firstly, fewer data modules lead to fewer individual tag IDs. Secondly, and more importantly, detection robustness is significantly reduced due to a higher false positive rate; i.e., tags are mixed up or nonexistent tags are detected in random image texture or noise. The 41h12 family has its border shifted towards the inside, which gives it more data modules at a lower number of total modules compared to the 36h11 family.

For these reasons we recommend using the 41h12 and 36h11 families and highly discourage the use of the 16h5 family. The latter family should only be used if a large detection distance really is necessary for an application. However, the maximum detection distance increases only by approximately 25% when using a 16h5 tag instead of a 36h11 tag.

Pre-generated AprilTags can be downloaded at the AprilTag project website (<https://april.eecs.umich>).

[edu/software/apriltag.html](http://edu/software/apriltag.html)). There, each family consists of multiple PNGs containing single tags. Each pixel in the PNGs corresponds to one AprilTag module. When printing the tags of the families 36h11, 36h10, 25h9 and 16h5 special care must be taken to also include the white border around the tag that is contained in the PNG (see (a) in Fig. 6.8). Moreover, all tags should be scaled to the desired printing size without any interpolation, so that the sharp edges are preserved.

### Comparison

Both QR codes and AprilTags have their up and down sides. While QR codes allow arbitrary user-defined data to be stored, AprilTags have a pre-defined and limited set of tags. On the other hand, AprilTags have a lower resolution and can therefore be detected at larger distances. Moreover, the continuous white to black border in AprilTags allow for more precise pose estimation.

**Note:** If user-defined data is not required, AprilTags should be preferred over QR codes.

#### 6.2.3.2 Tag reading

The first step in the tag detection pipeline is reading the tags on the 2D image pair. This step takes most of the processing time and its precision is crucial for the precision of the resulting tag pose. To control the speed of this step, the *quality* parameter can be set by the user. It results in a downscaling of the image pair before reading the tags. High yields the largest maximum detection distance and highest precision, but also the highest processing time. Low results in the smallest maximum detection distance and lowest precision, but processing requires less than half of the time. Medium lies in between. Please note that this quality parameter has no relation to the quality parameter of *Stereo matching* (Section 6.1.2).

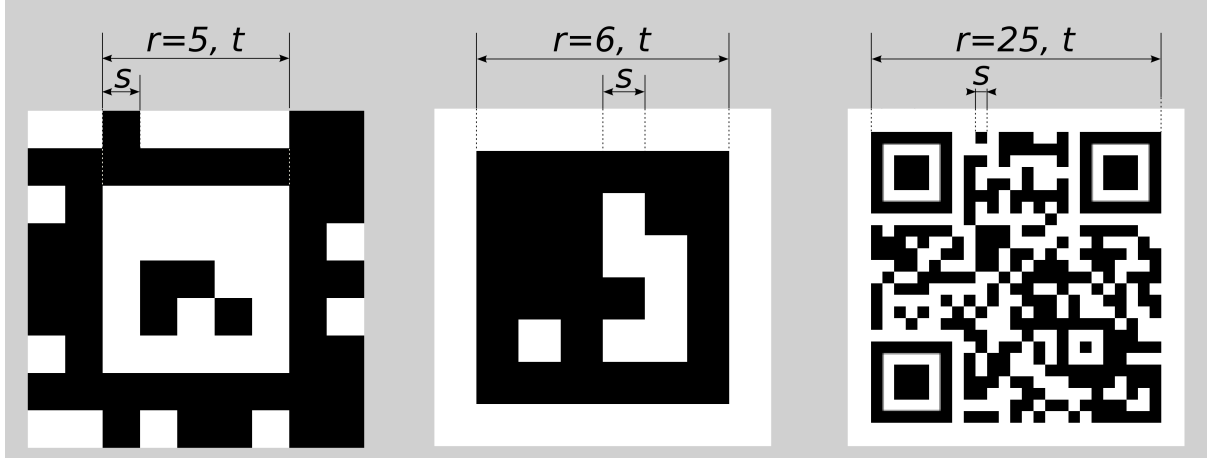


Fig. 6.9: Visualization of module size  $s$ , size of a tag in modules  $r$ , and size of a tag in meters  $t$  for AprilTags (left and center) and QR codes (right)

The maximum detection distance  $z$  at quality High can be approximated by using the following formulae,

$$z = \frac{fs}{p},$$

$$s = \frac{t}{r},$$

where  $f$  is the *focal length* (Section 6.1.1.1) in pixels and  $s$  is the size of a module in meters.  $s$  can easily be calculated by the latter formula, where  $t$  is the size of the tag in meters and  $r$  is the width of the code in modules (for AprilTags without the white border). Fig. 6.9 visualizes these variables.  $p$  denotes the number of image pixels per module required for detection. It is different for QR codes and AprilTags.

Moreover, it varies with the tag's angle to the camera and illumination. Approximate values for robust detection are:

- AprilTag:  $p = 5$  pixels/module
- QR code:  $p = 6$  pixels/module

The following tables give sample maximum distances for different situations, assuming a focal length of 1075 pixels and the parameter quality to be set to High.

Table 6.13: Maximum detection distance examples for AprilTags with a width of  $t = 4$  cm

AprilTag family	Tag width	Maximum distance
36h11 (recommended)	8 modules	1.1 m
16h5	6 modules	1.4 m
41h12 (recommended)	5 modules	1.7 m

Table 6.14: Maximum detection distance examples for QR codes with a width of  $t = 8$  cm

Tag width	Maximum distance
29 modules	0.49 m
21 modules	0.70 m

### 6.2.3.3 Pose estimation

For each detected tag, the pose of this tag in the camera coordinate frame is estimated. A requirement for pose estimation is that a tag is fully visible in the left and right camera image. The coordinate frame of the tag is aligned as shown below.

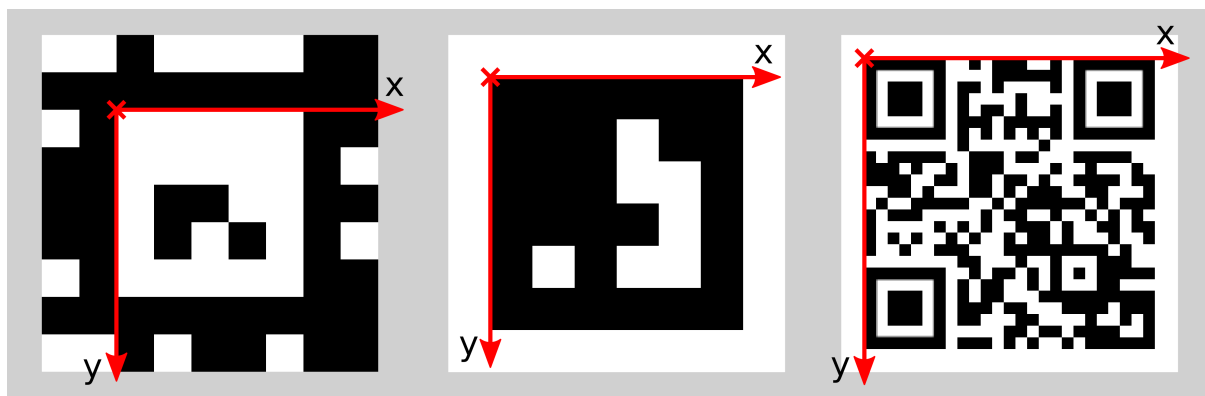


Fig. 6.10: Coordinate frames of AprilTags (left and center) and QR codes (right)

The z-axis is pointing “into” the tag. Please note that for AprilTags, although having the white border included in their definition, the coordinate system's origin is placed exactly at the transition from the white to the black border. Since AprilTags do not have an obvious orientation, the origin is defined as the upper left corner in the orientation they are pre-generated in.

During pose estimation, the tag's size is also estimated, while assuming the tag to be square. For QR codes, the size covers the full tag. For AprilTags, the size covers only the part inside the border defined by the transition from the black to the white border modules, hence ignoring the outermost white border for the tag families 16h5, 25h9, 36h10 and 36h11.

The user can also specify the approximate size ( $\pm 10\%$ ) of tags. All tags not matching this size constraint are automatically filtered out. This information is further used to resolve ambiguities in pose estimation



that may arise if multiple tags with the same ID are visible in the left and right image and these tags are aligned in parallel to the image rows.

**Note:** For best pose estimation results one should make sure to accurately print the tag and to attach it to a rigid and as planar as possible surface. Any distortion of the tag or bump in the surface will degrade the estimated pose.

**Note:** It is highly recommended to set the approximate size of a tag. Otherwise, if multiple tags with the same ID are visible in the left or right image, pose estimation may compute a wrong pose if these tags have the same orientation and are approximately aligned in parallel to the image rows. However, even if the approximate size is not given, the TagDetect modules try to detect such situations and filter out affected tags.

Below tables give approximate precisions of the estimated poses of AprilTags. We distinguish between lateral precision (i.e., in x and y direction) and precision in z direction. It is assumed that quality is set to High, that the camera's viewing direction is parallel to the tag's normal and that the images are well exposed and do not suffer from motion blur. The size of a tag does not have a significant effect on the lateral or z precision; however, in general, larger tags improve precision. With respect to precision of the orientation especially around the x and y axes, larger tags clearly outperform smaller ones.

Table 6.15: Approximate position precision for AprilTag detections with High quality in an ideal scenario

Distance	<i>rc_visard NG 160</i> - lateral	<i>rc_visard NG 160</i> - z
0.5 m	0.05 mm	0.3 mm
1.0 m	0.15 mm	1.4 mm
2.0 m	0.5 mm	3.7 mm

Table 6.16: Approximate orientation precision for AprilTag detections with High quality in an ideal scenario for different tag sizes

Distance	60 x 60 mm	120 x 120 mm
0.5 m	0.2°	–
1.0 m	0.8°	0.3°
2.0 m	2.0°	0.8°
3.0 m	–	1.8°

### 6.2.3.4 Tag re-identification

Each tag has an ID; for AprilTags it is the *family* plus *tag ID*, for QR codes it is the contained data. However, these IDs are not unique, since the same tag may appear multiple times in a scene.

For distinction of these tags, the TagDetect modules also assign each detected tag a unique identifier. To help the user identifying an identical tag over multiple detections, tag detection tries to re-identify tags; if successful, a tag is assigned the same unique identifier again.

Tag re-identification compares the positions of the corners of the tags in the camera coordinate frame to find identical tags. Tags are assumed identical if they did not or only slightly move in that frame.

By setting the `max_corner_distance` threshold, the user can specify how much a tag is allowed move in the static coordinate frame between two detections to be considered identical. This parameter defines the maximum distance between the corners of two tags, which is shown in [Fig. 6.11](#). The Euclidean distances of all four corresponding tag corners are computed in 3D. If none of these distances exceeds the threshold, the tags are considered identical.

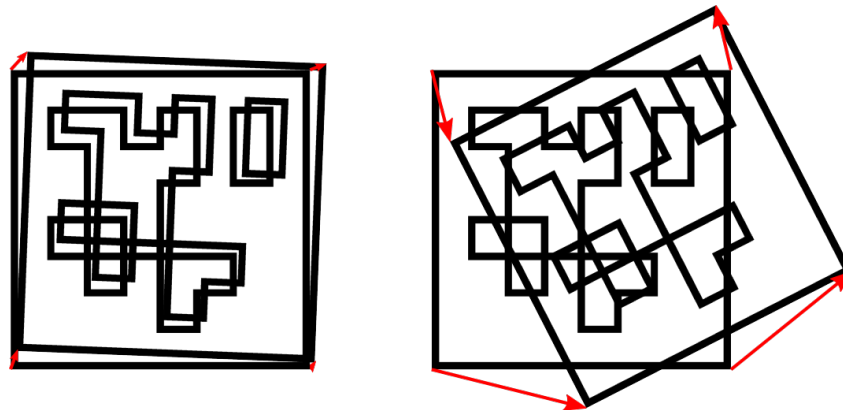


Fig. 6.11: Simplified visualization of tag re-identification. Euclidean distances between associated tag corners in 3D are compared (red arrows).

After a number of tag detection runs, previously detected tag instances will be discarded if they are not detected in the meantime. This can be configured by the parameter `forget_after_n_detections`.

### 6.2.3.5 Hand-eye calibration

In case the camera has been calibrated to a robot, the TagDetect module can automatically provide poses in the robot coordinate frame. For the TagDetect node's [Services](#) (Section 6.2.3.8), the frame of the output poses can be controlled with the `pose_frame` argument.

Two different `pose_frame` values can be chosen:

1. **Camera frame** (`camera`). All poses provided by the module are in the camera frame.
2. **External frame** (`external`). All poses provided by the module are in the external frame, configured by the user during the hand-eye calibration process. The module relies on the on-board [Hand-eye calibration module](#) (Section 6.3.1) to retrieve the sensor mounting (static or robot mounted) and the hand-eye transformation. If the sensor mounting is static, no further information is needed. If the sensor is robot-mounted, the `robot_pose` is required to transform poses to and from the external frame.

All `pose_frame` values that are not `camera` or `external` are rejected.

### 6.2.3.6 Parameters

There are two separate modules available for tag detection, one for detecting AprilTags and one for QR codes, named `rc_april_tag_detect` and `rc_qr_code_detect`, respectively. Apart from the module names they share the same interface definition.

In addition to the [REST-API interface](#) (Section 7.3), the TagDetect modules provide pages on the Web GUI under `Modules` → `AprilTag` and `Modules` → `QR Code`, on which they can be tried out and configured manually.

In the following, the parameters are listed based on the example of `rc_qr_code_detect`. They are the same for `rc_april_tag_detect`.

This module offers the following run-time parameters:

Table 6.17: The rc\_qr\_code\_detect module's run-time parameters

Name	Type	Min	Max	Default	Description
detect_inverted_tags	bool	false	true	false	Detect tags with black and white exchanged
forget_after_n_detections	int32	1	1000	30	Number of detection runs after which to forget about a previous tag during tag re-identification
max_corner_distance	float64	0.001	0.01	0.005	Maximum distance of corresponding tag corners in meters during tag re-identification
quality	string	-	-	High	Quality of tag detection: [Low, Medium, High]
use_cached_images	bool	false	true	false	Use most recently received image pair instead of waiting for a new pair

Via the REST-API, these parameters can be set as follows.

#### API version 2

```
PUT http://<host>/api/v2/pipelines/0/nodes/<rc_qr_code_detect|rc_april_tag_detect>/
  ↪parameters/parameters?<parameter-name>=<value>
```

#### API version 1 (deprecated)

```
PUT http://<host>/api/v1/nodes/<rc_qr_code_detect|rc_april_tag_detect>/parameters?
  ↪<parameter-name>=<value>
```

### 6.2.3.7 Status values

The TagDetect modules reports the following status values:

Table 6.18: The rc\_qr\_code\_detect and rc\_april\_tag\_detect module's status values

Name	Description
data_acquisition_time	Time in seconds required to acquire image pair
last_timestamp_processed	The timestamp of the last processed image pair
processing_time	Processing time of the last detection in seconds
state	The current state of the node

The reported state can take one of the following values.

Table 6.19: Possible states of the TagDetect modules

State name	Description
IDLE	The module is idle.
RUNNING	The module is running and ready for tag detection.
FATAL	A fatal error has occurred.

### 6.2.3.8 Services

The TagDetect modules implement a state machine for starting and stopping. The actual tag detection can be triggered via `detect`.

The user can explore and call the `rc_qr_code_detect` and `rc_april_tag_detect` modules' services, e.g. for development and testing, using the [REST-API interface](#) (Section 7.3) or the `rc_visard NG Web GUI` (Section 7.1).

#### `detect`

Triggers a tag detection.

##### Details

Depending on the `use_cached_images` parameter, the module will use the latest received image pair (if set to true) or wait for a new pair that is captured after the service call was triggered (if set to false, this is the default). Even if set to true, tag detection will never use one image pair twice.

It is recommended to call `detect` in state `RUNNING` only. It is also possible to be called in state `IDLE`, resulting in an auto-start and stop of the module. This, however, has some drawbacks: First, the call will take considerably longer; second, tag re-identification will not work. It is therefore highly recommended to manually start the module before calling `detect`.

Tags might be omitted from the `detect` response due to several reasons, e.g., if a tag is visible in only one of the cameras or if pose estimation did not succeed. These filtered-out tags are noted in the log, which can be accessed as described in [Downloading log files](#) (Section 9.8).

A visualization of the latest detection is shown on the Web GUI tabs of the TagDetect modules. Please note that this visualization will only be shown after calling the detection service at least once. On the Web GUI, one can also manually try the detection by clicking the *Detect* button.

Due to changes in system time on the `rc_visard NG` there might occur jumps of timestamps, forward as well as backward (see [Time synchronization](#), Section 7.7). Forward jumps do not have an effect on the TagDetect module. Backward jumps, however, invalidate already received images. Therefore, in case a backwards time jump is detected, an error of value -102 will be issued on the next `detect` call, also to inform the user that the timestamps included in the response will jump back. This service can be called as follows.

##### API version 2

```
PUT http://<host>/api/v2/pipelines/0/nodes/<rc_qr_code_detect|rc_april_tag_
detect>/services/detect
```

##### API version 1 (deprecated)

```
PUT http://<host>/api/v1/nodes/<rc_qr_code_detect|rc_april_tag_detect>/
services/detect
```

##### Request

Optional arguments:

`tags` is the list of tag IDs that the TagDetect module should detect. For QR codes, the ID is the contained data. For AprilTags, it is "`<family>_<id>`", so, e.g., for a tag of family 36h11 and ID 5, it is "`36h11_5`". Naturally, the AprilTag module can only be triggered for AprilTags, and the QR code module only for QR codes.

The tags list can also be left empty. In that case, all detected tags will be returned. This feature should be used only during development and debugging of an application. Whenever possible, the concrete tag IDs should be listed, on the one hand avoiding some false positives, on the other hand speeding up tag detection by filtering tags not of interest.

For AprilTags, the user can not only specify concrete tags but also a complete family by setting the ID to “<family>”, so, e.g., “36h11”. All tags of this family will then be detected. It is further possible to specify multiple complete tag families or a combination of concrete tags and complete tag families; for instance, triggering for “36h11”, “25h9\_3”, and “36h10” at the same time.

In addition to the ID, the approximate size ( $\pm 10\%$ ) of a tag can be set with the `size` parameter. As described in [Pose estimation](#) (Section 6.2.3.3), this information helps to resolve ambiguities in pose estimation that may arise in certain situations and can be used to filter out tags not fulfilling the given size constraint.

The tags list is OR-connected. All tags will be returned that match any of `id-size` pair elements in the tags list.

`pose_frame` controls whether the poses of the detected tags are returned in the camera or external frame, as detailed in [Hand-eye calibration](#) (Section 6.2.3.5). The default is `camera`.

The definition for the request arguments with corresponding datatypes is:

```
{
  "args": {
    "pose_frame": "string",
    "robot_pose": {
      "orientation": {
        "w": "float64",
        "x": "float64",
        "y": "float64",
        "z": "float64"
      },
      "position": {
        "x": "float64",
        "y": "float64",
        "z": "float64"
      }
    },
    "tags": [
      {
        "id": "string",
        "size": "float64"
      }
    ]
  }
}
```

## Response

`timestamp` is set to the timestamp of the image pair the tag detection ran on.

`tags` contains all detected tags.

`id` is the ID of the tag, similar to `id` in the request.

`instance_id` is the random unique identifier of the tag assigned by tag re-identification.

`pose` contains `position` and `orientation`. The orientation is in quaternion format.

pose\_frame is set to the coordinate frame above pose refers to. It will either be "camera" or "external".

size will be set to the estimated tag size in meters.

return\_code holds possible warnings or error codes.

The definition for the response with corresponding datatypes is:

```
{
  "name": "detect",
  "response": {
    "return_code": {
      "message": "string",
      "value": "int16"
    },
    "tags": [
      {
        "id": "string",
        "instance_id": "string",
        "pose": {
          "orientation": {
            "w": "float64",
            "x": "float64",
            "y": "float64",
            "z": "float64"
          },
          "position": {
            "x": "float64",
            "y": "float64",
            "z": "float64"
          }
        },
        "pose_frame": "string",
        "size": "float64",
        "timestamp": {
          "nsec": "int32",
          "sec": "int32"
        }
      }
    ],
    "timestamp": {
      "nsec": "int32",
      "sec": "int32"
    }
  }
}
```

## start

Starts the module by transitioning from IDLE to RUNNING.

### Details

When running, the module receives images from the stereo camera and is ready to perform tag detections. To save computing resources, the module should only be running when necessary.

This service can be called as follows.

### API version 2

```
PUT http://<host>/api/v2/pipelines/0/nodes/<rc_qr_code_detect|rc_april_tag_detect>/
services/start
```

(continues on next page)

(continued from previous page)

**API version 1 (deprecated)**

```
PUT http://<host>/api/v1/nodes/<rc_qr_code_detect|rc_april_tag_detect>/services/start
```

**Request**

This service has no arguments.

**Response**

The definition for the response with corresponding datatypes is:

```
{
  "name": "start",
  "response": {
    "accepted": "bool",
    "current_state": "string"
  }
}
```

**stop**

Stops the module by transitioning to IDLE.

**Details**

This transition can be performed from state RUNNING and FATAL. All tag re-identification information is cleared during stopping.

This service can be called as follows.

**API version 2**

```
PUT http://<host>/api/v2/pipelines/0/nodes/<rc_qr_code_detect|rc_april_tag_
detect>/services/stop
```

**API version 1 (deprecated)**

```
PUT http://<host>/api/v1/nodes/<rc_qr_code_detect|rc_april_tag_detect>/
services/stop
```

**Request**

This service has no arguments.

**Response**

The definition for the response with corresponding datatypes is:

```
{
  "name": "stop",
  "response": {
    "accepted": "bool",
    "current_state": "string"
  }
}
```

**restart**

Restarts the module.

**Details**

If in RUNNING or FATAL, the module will be stopped and then started. If in IDLE, the module will be started.

This service can be called as follows.

**API version 2**

```
PUT http://<host>/api/v2/pipelines/0/nodes/<rc_qr_code_detect|rc_april_tag_
↪detect>/services/restart
```

**API version 1 (deprecated)**

```
PUT http://<host>/api/v1/nodes/<rc_qr_code_detect|rc_april_tag_detect>/
↪services/restart
```

**Request**

This service has no arguments.

**Response**

The definition for the response with corresponding datatypes is:

```
{
  "name": "restart",
  "response": {
    "accepted": "bool",
    "current_state": "string"
  }
}
```

**reset\_defaults**

Resets all parameters of the module to its default values, as listed in above table.

**Details**

This service can be called as follows.

**API version 2**

```
PUT http://<host>/api/v2/pipelines/0/nodes/<rc_qr_code_detect|rc_april_tag_detect>/
↪services/reset_defaults
```

**API version 1 (deprecated)**

```
PUT http://<host>/api/v1/nodes/<rc_qr_code_detect|rc_april_tag_detect>/services/reset_
↪defaults
```

**Request**

This service has no arguments.

**Response**

The definition for the response with corresponding datatypes is:

```
{
  "name": "reset_defaults",
  "response": {
    "return_code": {
      "message": "string",
      "value": "int16"
    }
  }
}
```

(continues on next page)



(continued from previous page)

```

    }
  }
}

```

### 6.2.3.9 Return codes

Each service response contains a `return_code`, which consists of a value plus an optional message. A successful service returns with a `return_code` value of 0. Negative `return_code` values indicate that the service failed. Positive `return_code` values indicate that the service succeeded with additional information. The smaller value is selected in case a service has multiple `return_code` values, but all messages are appended in the `return_code` message.

The following table contains a list of common return codes:

Code	Description
0	Success
-1	An invalid argument was provided
-4	A timeout occurred while waiting for the image pair
-9	The license is not valid
-11	Sensor not connected, not supported or not ready
-101	Internal error during tag detection
-102	There was a backwards jump of system time
-103	Internal error during tag pose estimation
-200	A fatal internal error occurred
200	Multiple warnings occurred; see list in message
201	The module was not in state RUNNING

## 6.2.4 ItemPick

### 6.2.4.1 Introduction

The ItemPick module provides an out-of-the-box perception solution for robotic pick-and-place applications. ItemPick targets the detection of flat surfaces on unknown objects for picking with a suction gripper.

In addition, the module offers:

- A dedicated page on the *rc\_visard NG Web GUI* (Section 7.1) for easy setup, configuration, testing, and application tuning.
- The definition of regions of interest to select relevant volumes in the scene (see *RoiDB*, Section 6.4.2).
- A load carrier detection functionality for bin-picking applications (see *LoadCarrier*, Section 6.2.2), to provide grasps for items inside a bin only.
- The definition of compartments inside a load carrier to provide grasps for specific volumes of the bin only.
- Support for static and robot-mounted cameras and optional integration with the *Hand-eye calibration* (Section 6.3.1) module, to provide grasps in the user-configured external reference frame.
- A quality value associated to each suggested grasp and related to the flatness of the grasping surface.
- Selection of a sorting strategy to sort the returned grasps.
- 3D visualization of the detection results with grasp points and gripper animations in the Web GUI.

**Note:** In this chapter, cluster and surface are used as synonyms and identify a set of points (or pixels) with defined geometrical properties.

The module is an optional on-board module of the *rc\_visard NG* and requires a separate *ItemPick license* (Section 9.7) to be purchased.

### 6.2.4.2 Computation of grasps

The ItemPick module offers a service for computing grasps for suction grippers. The gripper is defined by its suction surface length and width.

The ItemPick module identifies flat surfaces in the scene and supports flexible and/or deformable items. The type of these `item_models` is called UNKNOWN since they don't need to have a standard geometrical shape. Optionally, the user can also specify the minimum and maximum size of the item.

Optionally, further information can be given to the modules in a grasp computation request:

- The ID of the load carrier which contains the items to be grasped.
- A compartment inside the load carrier where to compute grasps (see *Load carrier compartments*, Section 6.4.1.3).
- The ID of the 3D region of interest where to search for the load carriers if a load carrier is set. Otherwise, the ID of the 3D region of interest where to compute grasps.
- Collision detection information: The ID of the gripper to enable collision checking and optionally a pre-grasp offset to define a pre-grasp position. Details on collision checking are given below in *CollisionCheck* (Section 6.2.4.4).

A grasp provided by the ItemPick module represents the recommended pose of the TCP (Tool Center Point) of the suction gripper. The grasp type is always set to SUCTION.

For ItemPick with an UNKNOWN item model, the computed grasp pose is the center of the biggest ellipse that can be inscribed in each surface.

The grasp orientation is a right-handed coordinate system and is defined such that its z axis is normal to the surface pointing inside the object at the grasp position and its x axis is directed along the maximum elongation of the ellipse. Since the x axis can have two possible directions, the one that better fits to the preferred TCP orientation (see *Setting the preferred orientation of the TCP*, Section 6.2.4.3) is selected. If the run-time parameter `allow_any_grasp_z_rotation` is set to true, the x axis will not be forced to be aligned with the maximum elongation of the graspable ellipse, but can have any rotation around the z axis. In this case, the returned grasp will have the orientation that best fits to the preferred TCP orientation and is collision free, if collision checking.

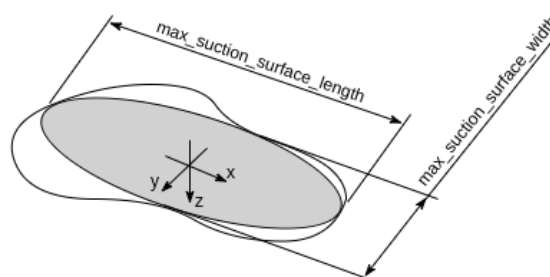


Fig. 6.12: Illustration of a suction grasp with coordinate system and ellipse representing the maximum suction surface

Each grasp includes the dimensions of the maximum suction surface available, modelled as an ellipse of axes `max_suction_surface_length` and `max_suction_surface_width`. The user is enabled to filter grasps by specifying the minimum suction surface required by the suction device in use. If

the run-time parameter `allow_any_grasp_z_rotation` is set to `true`, `max_suction_surface_length` and `max_suction_surface_width` will be equal and correspond to the shortest axis of the largest graspable ellipse.

Each grasp also includes a `quality` value, which gives an indication of the flatness of the grasping surface. The `quality` value varies between 0 and 1, where higher numbers correspond to a flatter reconstructed surface.

The grasp definition is complemented by a `uuid` (Universally Unique Identifier) and the `timestamp` of the oldest image that was used to compute the grasp.

Grasp sorting is performed based on the selected sorting strategy. The following sorting strategies are available and can be set in the [Web GUI](#) (Section 7.1) or using the `set_sorting_strategies` service call:

- `gravity`: highest grasp points along the gravity direction are returned first,
- `surface_area`: grasp points with the largest surface area are returned first,
- `direction`: grasp points with the shortest distance along a defined direction vector in a given `pose_frame` are returned first.
- `distance_to_point`: grasp points with the shortest or farthest (if `farthest_first` is true) distance from a point in a given `pose_frame` are returned first.

If no sorting strategy is set or default sorting is chosen in the Web GUI, sorting is done based on a combination of `gravity` and `surface_area`.

#### 6.2.4.3 Setting the preferred orientation of the TCP

The ItemPick module determines the reachability of grasp points based on the *preferred orientation* of the TCP. The preferred orientation can be set via the `set_preferred_orientation` service or on the ItemPick page in the Web GUI. The resulting direction of the TCP's z axis is used to reject grasps which cannot be reached by the gripper. Furthermore, the preferred orientation is used to select one grasp of several possible symmetries that is best reachable for the robot.

The preferred orientation can be set in the camera coordinate frame or in the external coordinate frame, in case a hand-eye calibration is available. If the preferred orientation is specified in the external coordinate frame and the sensor is robot mounted, the current robot pose has to be given to each object detection call. If no preferred orientation is set, the orientation of the left camera (see [Coordinate frames](#)) will be used as the preferred orientation of the TCP.

#### 6.2.4.4 Interaction with other modules

Internally, the ItemPick module depends on, and interacts with other on-board modules as listed below.

**Note:** All changes and configuration updates to these modules will affect the performance of the ItemPick module.

#### Stereo camera and Stereo matching

The ItemPick module makes internally use of the following data:

- Rectified images from the [Camera](#) module (`rc_camera`, Section 6.1.1);
- Disparity, error, and confidence images from the [Stereo matching](#) module (`rc_stereomatching`, Section 6.1.2).

All processed images are guaranteed to be captured after the module trigger time.

## IO and Projector Control

In case the *rc\_visard NG* is used in conjunction with an external random dot projector and the *IO and Projector Control* module (*rc\_iocontrol*, Section 6.3.4), it is recommended to connect the projector to GPIO Out 1 and set the stereo-camera module's acquisition mode to *SingleFrameOut1* (see *Stereo matching parameters*, Section 6.1.2.5), so that on each image acquisition trigger an image with and without projector pattern is acquired.

Alternatively, the output mode for the GPIO output in use should be set to *ExposureAlternateActive* (see *Description of run-time parameters*, Section 6.3.4.1).

In either case, the *Auto Exposure Mode* *exp\_auto\_mode* should be set to *AdaptiveOut1* to optimize the exposure of both images (see *Stereo camera parameters*, Section 6.1.1.3).

## Hand-eye calibration

In case the camera has been calibrated to a robot, the *ItemPick* module can automatically provide poses in the robot coordinate frame. For the *ItemPick* node's *Services* (Section 6.2.4.7), the frame of the output poses can be controlled with the *pose\_frame* argument.

Two different *pose\_frame* values can be chosen:

1. **Camera frame** (*camera*). All poses provided by the modules are in the camera frame, and no prior knowledge about the pose of the camera in the environment is required. This means that the configured regions of interest and load carriers move with the camera. It is the user's responsibility to update the configured poses if the camera frame moves (e.g. with a robot-mounted camera).
2. **External frame** (*external*). All poses provided by the modules are in the external frame, configured by the user during the hand-eye calibration process. The module relies on the on-board *Hand-eye calibration module* (Section 6.3.1) to retrieve the sensor mounting (static or robot mounted) and the hand-eye transformation. If the mounting is static, no further information is needed. If the sensor is robot-mounted, the *robot\_pose* is required to transform poses to and from the external frame.

**Note:** If no hand-eye calibration is available, all *pose\_frame* values should be set to *camera*.

All *pose\_frame* values that are not *camera* or *external* are rejected.

If the sensor is robot-mounted, the current *robot\_pose* has to be provided depending on the value of *pose\_frame* and the definition of the sorting direction or sorting point:

- If *pose\_frame* is set to *external*, providing the robot pose is obligatory.
- If the sorting direction is defined in *external*, providing the robot pose is obligatory.
- If the distance-to-point sorting strategy is defined in *external*, providing the robot pose is obligatory.
- In all other cases, providing the robot pose is optional.

## LoadCarrier

The *ItemPick* module uses the load carrier detection functionality provided by the *LoadCarrier* module (*rc\_load\_carrier*, Section 6.2.2), with the run-time parameters specified for this module. However, only one load carrier will be returned and used in case multiple matching load carriers could be found in the scene. In case multiple load carriers of the same type are visible, a 3D region of interest should be set to ensure that always the same load carrier is used for the *ItemPick* module.

## CollisionCheck

Collision checking can be easily enabled for grasp computation of the ItemPick module by passing the ID of the used gripper and optionally a pre-grasp offset to the `compute_grasps` service call. The gripper has to be defined in the GripperDB module (see [Setting a gripper](#), Section 6.4.3.2) and details about collision checking are given in [Collision checking within other modules](#) (Section 6.3.2.2).

If collision checking is enabled, only grasps which are collision free will be returned. However, the visualization images on the ItemPick page of the Web GUI also show colliding grasp points as black ellipses.

The CollisionCheck module's run-time parameters affect the collision detection as described in [CollisionCheck Parameters](#) (Section 6.3.2.3).

### 6.2.4.5 Parameters

ItemPick is represented by the `rc_itempick` node in the REST-API and are reached in the [Web GUI](#) (Section 7.1) under *Modules* → *ItemPick*. The user can explore and configure the `rc_itempick` module's run-time parameters, e.g. for development and testing, using the Web GUI or the [REST-API interface](#) (Section 7.3).

The user can explore and configure the `rc_itempick` module's run-time parameters, e.g. for development and testing, using the Web GUI or the [REST-API interface](#) (Section 7.3).

### Parameter overview

This module offers the following run-time parameters:

Table 6.20: The rc\_itempick module's run-time parameters

Name	Type	Min	Max	Default	Description
allow_any_grasp_z_rotation	bool	false	true	false	Whether the grasps are allowed to have arbitrary rotation instead being aligned with the major axis of the graspable ellipse
cluster_max_curvature	float64	0.005	0.5	0.11	Maximum curvature allowed within one cluster. The smaller this value, the more clusters will be split apart.
cluster_max_dimension	float64	0.05	2.0	0.3	Maximum allowed diameter for a cluster in meters. Clusters with a diameter larger than this value are not used for grasp computation.
clustering_discontinuity_factor	float64	0.1	5.0	1.0	Factor used to discriminate depth discontinuities within a patch. The smaller this value, the more clusters will be split apart.
clustering_max_surface_rmse	float64	0.0005	0.01	0.004	Maximum root-mean-square error (RMSE) in meters of points belonging to a surface
clustering_patch_size	int32	3	10	4	Size in pixels of the square patches the depth map is subdivided into during the first clustering step
grasp_filter_orientation_threshold	float64	0.0	180.0	45.0	Maximum allowed orientation change between grasp and preferred orientation in degrees
max_grasps	int32	1	20	5	Maximum number of provided grasps

### Description of run-time parameters

Each run-time parameter is represented by a row on the Web GUI's ItemPick page. The name in the Web GUI is given in brackets behind the parameter name and the parameters are listed in the order they appear in the Web GUI:

#### max\_grasps (*Maximum Grasps*)

sets the maximum number of provided grasps.

Via the REST-API, this parameter can be set as follows.

#### API version 2

```
PUT http://<host>/api/v2/pipelines/0/nodes/rc_itempick/parameters/parameters?max_
↳grasps=<value>
```

**API version 1 (deprecated)**

```
PUT http://<host>/api/v1/nodes/rc_itempick/parameters?max_grasps=<value>
```

**cluster\_max\_dimension (Cluster Maximum Dimension)**

is the maximum allowed diameter for a cluster in meters. Clusters with a diameter larger than this value are not used for grasp computation.

Via the REST-API, this parameter can be set as follows.

**API version 2**

```
PUT http://<host>/api/v2/pipelines/0/nodes/rc_itempick/parameters/parameters?cluster_
↳max_dimension=<value>
```

**API version 1 (deprecated)**

```
PUT http://<host>/api/v1/nodes/rc_itempick/parameters?cluster_max_dimension=<value>
```

**cluster\_max\_curvature (Cluster Maximum Curvature)**

is the maximum curvature allowed within one cluster. The smaller this value, the more clusters will be split apart.

Via the REST-API, this parameter can be set as follows.

**API version 2**

```
PUT http://<host>/api/v2/pipelines/0/nodes/rc_itempick/parameters/parameters?cluster_
↳max_curvature=<value>
```

**API version 1 (deprecated)**

```
PUT http://<host>/api/v1/nodes/rc_itempick/parameters?cluster_max_curvature=<value>
```

**clustering\_patch\_size (Patch Size)**

is the size of the square patches the depth map is subdivided into during the first clustering step in pixels.

Via the REST-API, this parameter can be set as follows.

**API version 2**

```
PUT http://<host>/api/v2/pipelines/0/nodes/rc_itempick/parameters/parameters?
↳clustering_patch_size=<value>
```

**API version 1 (deprecated)**

```
PUT http://<host>/api/v1/nodes/rc_itempick/parameters?clustering_patch_size=<value>
```

**clustering\_discontinuity\_factor** (*Discontinuity Factor*)

is the factor used to discriminate depth discontinuities within a patch. The smaller this value, the more clusters will be split apart.

Via the REST-API, this parameter can be set as follows.

**API version 2**

```
PUT http://<host>/api/v2/pipelines/0/nodes/rc_itempick/parameters/parameters?  
↔clustering_discontinuity_factor=<value>
```

**API version 1 (deprecated)**

```
PUT http://<host>/api/v1/nodes/rc_itempick/parameters?clustering_discontinuity_factor=  
↔<value>
```

**clustering\_max\_surface\_rmse** (*Maximum Surface RMSE*)

is the maximum root-mean-square error (RMSE) in meters of points belonging to a surface.

Via the REST-API, this parameter can be set as follows.

**API version 2**

```
PUT http://<host>/api/v2/pipelines/0/nodes/rc_itempick/parameters/parameters?  
↔clustering_max_surface_rmse=<value>
```

**API version 1 (deprecated)**

```
PUT http://<host>/api/v1/nodes/rc_itempick/parameters?clustering_max_surface_rmse=  
↔<value>
```

**grasp\_filter\_orientation\_threshold** (*Grasp Orientation Threshold*)

is the maximum deviation of the TCP's z axis at the grasp point from the z axis of the TCP's preferred orientation in degrees. Only grasp points which are within this threshold are returned. When set to zero, any deviations are valid.

Via the REST-API, this parameter can be set as follows.

**API version 2**

```
PUT http://<host>/api/v2/pipelines/<0,1,2,3>/nodes/rc_itempick/parameters?grasp_filter_  
↔orientation_threshold=<value>
```

**API version 1 (deprecated)**

```
PUT http://<host>/api/v1/nodes/rc_itempick/parameters?grasp_filter_orientation_  
↔threshold=<value>
```

**allow\_any\_grasp\_z\_rotation** (*Allow Any Grasp Z Rotation*)

If set to true, the returned grasps are no longer forced to have their x axes aligned with the maximum elongation of the graspable ellipse, but can have any rotation around the z axis. The returned max\_suction\_surface\_length and max\_suction\_surface\_width will be equal and correspond to the shortest diameter of the largest graspable ellipse. This parameter enables the robot to get more



options for grasping objects, especially in scenes where collisions can occur. However, in case of UNKNOWN item models, since the grasp is no longer aligned with the graspable ellipse, the correct orientation for placing the object must be determined by other means.

Via the REST-API, this parameter can be set as follows.

#### API version 2

```
PUT http://<host>/api/v2/pipelines/<0,1,2,3>/nodes/rc_itempick/parameters?allow_any_
↳grasp_z_rotation=<value>
```

#### API version 1 (deprecated)

```
PUT http://<host>/api/v1/nodes/rc_itempick/parameters?allow_any_grasp_z_rotation=
↳<value>
```

### 6.2.4.6 Status values

The rc\_itempick node reports the following status values:

Table 6.21: The rc\_itempick node's status values

Name	Description
data_acquisition_time	Time in seconds required by the last active service to acquire images
grasp_computation_time	Processing time of the last grasp computation in seconds
last_timestamp_processed	The timestamp of the last processed dataset
load_carrier_detection_time	Processing time of the last load carrier detection in seconds
processing_time	Processing time of the last detection (including load carrier detection) in seconds
state	The current state of the rc_itempick node

The reported state can take one of the following values.

Table 6.22: Possible states of the ItemPick module

State name	Description
IDLE	The module is idle.
RUNNING	The module is running and ready for load carrier detection and grasp computation.
FATAL	A fatal error has occurred.

### 6.2.4.7 Services

The user can explore and call the rc\_itempick node's services, e.g. for development and testing, using the [REST-API interface](#) (Section 7.3) or the [rc\\_visard NG Web GUI](#) (Section 7.1).

The ItemPick module offers the following services.

#### compute\_grasps

Triggers the computation of grasping poses for a suction device as described in [Computation of grasps](#) (Section 6.2.4.2).

#### Details

This service can be called as follows.

#### API version 2

```
PUT http://<host>/api/v2/pipelines/0/nodes/rc_itepick/services/compute_grasps
```

### API version 1 (deprecated)

```
PUT http://<host>/api/v1/nodes/rc_itepick/services/compute_grasps
```

### Request

Required arguments:

- pose\_frame: see [Hand-eye calibration](#) (Section 6.2.4.4).
- suction\_surface\_length: length of the suction device grasping surface.
- suction\_surface\_width: width of the suction device grasping surface.

Potentially required arguments:

- robot\_pose: see [Hand-eye calibration](#) (Section 6.2.4.4).

Optional arguments:

- load\_carrier\_id: ID of the load carrier which contains the items to be grasped.
- load\_carrier\_compartment: compartment inside the load carrier where to compute grasps (see [Load carrier compartments](#), Section 6.4.1.3).
- region\_of\_interest\_id: if load\_carrier\_id is set, ID of the 3D region of interest where to search for the load carriers. Otherwise, ID of the 3D region of interest where to compute grasps.
- item\_models: list of items to be detected. In case of ItemPick, currently only a single item model of type UNKNOWN with minimum and maximum dimensions is supported, with the minimum dimensions strictly smaller than the maximum dimensions.
- collision\_detection: see [Collision checking within other modules](#) (Section 6.3.2.2).

The definition for the request arguments with corresponding datatypes is:

```
{
  "args": {
    "collision_detection": {
      "gripper_id": "string",
      "pre_grasp_offset": {
        "x": "float64",
        "y": "float64",
        "z": "float64"
      }
    }
  },
  "item_models": [
    {
      "type": "string",
      "unknown": {
        "max_dimensions": {
          "x": "float64",
          "y": "float64",
          "z": "float64"
        },
        "min_dimensions": {
          "x": "float64",
          "y": "float64",
          "z": "float64"
        }
      }
    }
  ]
}
```

(continues on next page)

(continued from previous page)

```

    }
  ],
  "load_carrier_compartment": {
    "box": {
      "x": "float64",
      "y": "float64",
      "z": "float64"
    },
    "pose": {
      "orientation": {
        "w": "float64",
        "x": "float64",
        "y": "float64",
        "z": "float64"
      },
      "position": {
        "x": "float64",
        "y": "float64",
        "z": "float64"
      }
    }
  },
  "load_carrier_id": "string",
  "pose_frame": "string",
  "region_of_interest_id": "string",
  "robot_pose": {
    "orientation": {
      "w": "float64",
      "x": "float64",
      "y": "float64",
      "z": "float64"
    },
    "position": {
      "x": "float64",
      "y": "float64",
      "z": "float64"
    }
  },
  "suction_surface_length": "float64",
  "suction_surface_width": "float64"
}
}

```

**Response**

load\_carriers: list of detected load carriers.

grasps: sorted list of suction grasps.

items: sorted list of items corresponding to the returned grasps. In case of ItemPick, this list is always empty.

timestamp: timestamp of the image set the detection ran on.

return\_code: holds possible warnings or error codes and messages.

The definition for the response with corresponding datatypes is:

```

{
  "name": "compute_grasps",
  "response": {
    "grasps": [
      {

```

(continues on next page)

(continued from previous page)

```
"item_uuid": "string",
"max_suction_surface_length": "float64",
"max_suction_surface_width": "float64",
"pose": {
  "orientation": {
    "w": "float64",
    "x": "float64",
    "y": "float64",
    "z": "float64"
  },
  "position": {
    "x": "float64",
    "y": "float64",
    "z": "float64"
  }
},
"pose_frame": "string",
"quality": "float64",
"timestamp": {
  "nsec": "int32",
  "sec": "int32"
},
"type": "string",
"uuid": "string"
}
],
"items": [
  {
    "bounding_box": {
      "x": "float64",
      "y": "float64",
      "z": "float64"
    },
    "grasp_uuids": [
      "string"
    ],
    "pose": {
      "orientation": {
        "w": "float64",
        "x": "float64",
        "y": "float64",
        "z": "float64"
      },
      "position": {
        "x": "float64",
        "y": "float64",
        "z": "float64"
      }
    },
    "pose_frame": "string",
    "template_id": "string",
    "timestamp": {
      "nsec": "int32",
      "sec": "int32"
    },
    "type": "string",
    "uuid": "string",
    "view_name": "string",
    "view_pose_set": "bool",
    "view_uuid": "string"
  }
]
```

(continues on next page)

(continued from previous page)

```

],
"load_carriers": [
  {
    "height_open_side": "float64",
    "id": "string",
    "inner_dimensions": {
      "x": "float64",
      "y": "float64",
      "z": "float64"
    },
    "outer_dimensions": {
      "x": "float64",
      "y": "float64",
      "z": "float64"
    },
    "overfilled": "bool",
    "pose": {
      "orientation": {
        "w": "float64",
        "x": "float64",
        "y": "float64",
        "z": "float64"
      },
      "position": {
        "x": "float64",
        "y": "float64",
        "z": "float64"
      }
    },
    "pose_frame": "string",
    "rim_ledge": {
      "x": "float64",
      "y": "float64"
    },
    "rim_step_height": "float64",
    "rim_thickness": {
      "x": "float64",
      "y": "float64"
    },
    "type": "string"
  }
],
"return_code": {
  "message": "string",
  "value": "int16"
},
"timestamp": {
  "nsec": "int32",
  "sec": "int32"
}
}
}

```

### set\_preferred\_orientation

Persistently stores the preferred orientation of the TCP to compute the reachability of the grasps, which is used for filtering and the grasps returned by the `compute_grasps` service (see [Setting the preferred orientation of the TCP](#), Section 6.2.4.3).

#### Details

This service can be called as follows.

#### API version 2

```
PUT http://<host>/api/v2/pipelines/0/nodes/rc_itempick/services/set_preferred_
↔orientation
```

#### API version 1 (deprecated)

```
PUT http://<host>/api/v1/nodes/rc_itempick/services/set_preferred_orientation
```

#### Request

The definition for the request arguments with corresponding datatypes is:

```
{
  "args": {
    "orientation": {
      "w": "float64",
      "x": "float64",
      "y": "float64",
      "z": "float64"
    },
    "pose_frame": "string"
  }
}
```

#### Response

The definition for the response with corresponding datatypes is:

```
{
  "name": "set_preferred_orientation",
  "response": {
    "return_code": {
      "message": "string",
      "value": "int16"
    }
  }
}
```

### get\_preferred\_orientation

Returns the preferred orientation of the TCP to compute the reachability of the grasps, which is used for filtering the grasps returned by the compute\_grasps service (see [Setting the preferred orientation of the TCP](#), Section 6.2.4.3).

#### Details

This service can be called as follows.

#### API version 2

```
PUT http://<host>/api/v2/pipelines/0/nodes/rc_itempick/services/get_preferred_
↔orientation
```

#### API version 1 (deprecated)

```
PUT http://<host>/api/v1/nodes/rc_itempick/services/get_preferred_orientation
```

#### Request

This service has no arguments.

## Response

The definition for the response with corresponding datatypes is:

```

{
  "name": "get_preferred_orientation",
  "response": {
    "orientation": {
      "w": "float64",
      "x": "float64",
      "y": "float64",
      "z": "float64"
    },
    "pose_frame": "string",
    "return_code": {
      "message": "string",
      "value": "int16"
    }
  }
}

```

## set\_sorting\_strategies

Persistently stores the sorting strategy for sorting the grasps returned by the compute\_grasps service (see [Computation of grasps](#), Section 6.2.4.2).

### Details

This service can be called as follows.

#### API version 2

```
PUT http://<host>/api/v2/pipelines/0/nodes/rc_itempick/services/set_sorting_strategies
```

#### API version 1 (deprecated)

```
PUT http://<host>/api/v1/nodes/rc_itempick/services/set_sorting_strategies
```

### Request

Only one strategy may have a weight greater than 0. If all weight values are set to 0, the module will use the default sorting strategy.

If the weight for direction is set, the vector must contain the direction vector and pose\_frame must be either camera or external.

If the weight for distance\_to\_point is set, point must contain the sorting point and pose\_frame must be either camera or external.

The definition for the request arguments with corresponding datatypes is:

```

{
  "args": {
    "direction": {
      "pose_frame": "string",
      "vector": {
        "x": "float64",
        "y": "float64",
        "z": "float64"
      },
      "weight": "float64"
    },
    "distance_to_point": {

```

(continues on next page)

(continued from previous page)

```

    "farthest_first": "bool",
    "point": {
      "x": "float64",
      "y": "float64",
      "z": "float64"
    },
    "pose_frame": "string",
    "weight": "float64"
  },
  "gravity": {
    "weight": "float64"
  },
  "surface_area": {
    "weight": "float64"
  }
}
}
}

```

**Response**

The definition for the response with corresponding datatypes is:

```

{
  "name": "set_sorting_strategies",
  "response": {
    "return_code": {
      "message": "string",
      "value": "int16"
    }
  }
}
}

```

**get\_sorting\_strategies**

Returns the sorting strategy for sorting the grasps returned by the compute-grasps service (see [Computation of grasps](#), Section 6.2.4.2).

**Details**

This service can be called as follows.

**API version 2**

```
PUT http://<host>/api/v2/pipelines/0/nodes/rc_itempick/services/get_sorting_strategies
```

**API version 1 (deprecated)**

```
PUT http://<host>/api/v1/nodes/rc_itempick/services/get_sorting_strategies
```

**Request**

This service has no arguments.

**Response**

All weight values are 0 when the module uses the default sorting strategy.

The definition for the response with corresponding datatypes is:

```

{
  "name": "get_sorting_strategies",
  "response": {

```

(continues on next page)



(continued from previous page)

```

"direction": {
  "pose_frame": "string",
  "vector": {
    "x": "float64",
    "y": "float64",
    "z": "float64"
  },
  "weight": "float64"
},
"distance_to_point": {
  "farthest_first": "bool",
  "point": {
    "x": "float64",
    "y": "float64",
    "z": "float64"
  },
  "pose_frame": "string",
  "weight": "float64"
},
"gravity": {
  "weight": "float64"
},
"return_code": {
  "message": "string",
  "value": "int16"
},
"surface_area": {
  "weight": "float64"
}
}
}

```

**start**

Starts the module. If the command is accepted, the module moves to state RUNNING.

**Details**

This service can be called as follows.

**API version 2**

```
PUT http://<host>/api/v2/pipelines/0/nodes/rc_itempick/services/start
```

**API version 1 (deprecated)**

```
PUT http://<host>/api/v1/nodes/rc_itempick/services/start
```

**Request**

This service has no arguments.

**Response**

The `current_state` value in the service response may differ from `RUNNING` if the state transition is still in process when the service returns.

The definition for the response with corresponding datatypes is:

```

{
  "name": "start",
  "response": {

```

(continues on next page)

(continued from previous page)

```
"accepted": "bool",
"current_state": "string"
}
}
```

## stop

Stops the module. If the command is accepted, the module moves to state IDLE.

### Details

This service can be called as follows.

#### API version 2

```
PUT http://<host>/api/v2/pipelines/0/nodes/rc_itempick/services/stop
```

#### API version 1 (deprecated)

```
PUT http://<host>/api/v1/nodes/rc_itempick/services/stop
```

### Request

This service has no arguments.

### Response

The `current_state` value in the service response may differ from IDLE if the state transition is still in process when the service returns.

The definition for the response with corresponding datatypes is:

```
{
  "name": "stop",
  "response": {
    "accepted": "bool",
    "current_state": "string"
  }
}
```

## reset\_defaults

Resets all parameters of the module to its default values, as listed in above table. Also resets sorting strategies.

### Details

This service can be called as follows.

#### API version 2

```
PUT http://<host>/api/v2/pipelines/0/nodes/rc_itempick/services/reset_defaults
```

#### API version 1 (deprecated)

```
PUT http://<host>/api/v1/nodes/rc_itempick/services/reset_defaults
```

### Request

This service has no arguments.

### Response

The definition for the response with corresponding datatypes is:

```
{
  "name": "reset_defaults",
  "response": {
    "return_code": {
      "message": "string",
      "value": "int16"
    }
  }
}
```

### 6.2.4.8 Return codes

Each service response contains a `return_code`, which consists of a value plus an optional message. A successful service returns with a `return_code` value of 0. Negative `return_code` values indicate that the service failed. Positive `return_code` values indicate that the service succeeded with additional information. The smaller value is selected in case a service has multiple `return_code` values, but all messages are appended in the `return_code` message.

The following table contains a list of common codes:

Table 6.23: Return codes of the ItemPick services

Code	Description
0	Success
-1	An invalid argument was provided
-3	An internal timeout occurred, e.g. during box detection if the given dimension range is too large
-4	Data acquisition took longer than allowed
-8	The template has been deleted during detection.
-10	New element could not be added as the maximum storage capacity of load carriers, regions of interest or template has been exceeded
-11	Sensor not connected, not supported or not ready
-200	Fatal internal error
-301	More than one item model provided to the <code>compute_grasps</code> service
10	The maximum storage capacity of load carriers, regions of interest or templates has been reached
11	An existent persistent model was overwritten by the call to <code>set_load_carrier</code> or <code>set_region_of_interest</code>
100	The requested load carriers were not detected in the scene
101	No valid surfaces or grasps were found in the scene
102	The detected load carrier is empty
103	All computed grasps are in collision with the load carrier
112	Rejected detections of one or more clusters, because <code>min_cluster_coverage</code> was not reached.
300	A valid <code>robot_pose</code> was provided as argument but it is not required
999	Additional hints for application development

## 6.2.5 BoxPick

### 6.2.5.1 Introduction

The BoxPick module provides an out-of-the-box perception solution for robotic pick-and-place applications. It detects rectangular surfaces and determines their position, orientation and size for grasping. With the `+Match` extension, BoxPick can be used to detect textured rectangles with consistent orientations, such as printed product packaging, labels, brochures or books.

In addition, the module offers:

- A dedicated page on the *rc\_visard NG Web GUI* (Section 7.1) for easy setup, configuration, testing, and application tuning.
- The definition of regions of interest to select relevant volumes in the scene (see *RoiDB*, Section 6.4.2).
- A load carrier detection functionality for bin-picking applications (see *LoadCarrier*, Section 6.2.2), to provide grasps for items inside a bin only.
- The definition of compartments inside a load carrier to provide grasps for specific volumes of the bin only.
- Support for static and robot-mounted cameras and optional integration with the *Hand-eye calibration* (Section 6.3.1) module, to provide grasps in the user-configured external reference frame.
- A quality value associated to each suggested grasp and related to the flatness of the grasping surface.
- Selection of a sorting strategy to sort the returned grasps.
- 3D visualization of the detection results with grasp points and gripper animations in the Web GUI.

**Note:** In this chapter, cluster and surface are used as synonyms and identify a set of points (or pixels) with defined geometrical properties.

The module is an optional on-board module of the *rc\_visard NG* and requires a separate *BoxPick license* (Section 9.7) to be purchased. The `+Match` extension requires an extra license.

### 6.2.5.2 Detection of items

There are two different types of models for the rectangles to be detected by the *BoxPick* module.

Per default, *BoxPick* only supports `item_models` of type `RECTANGLE`. With the `+Match` extension, also item models of type `TEXTURED_BOX` can be detected. The detection of the different item model types is described below.

Optionally, further information can be given to the *BoxPick* module:

- The ID of the load carrier which contains the items to be detected.
- A compartment inside the load carrier where to detect items.
- The ID of the region of interest where to search for the load carriers if a load carrier is set. Otherwise, the ID of the region of interest where to search for the items.
- The current robot pose in case the camera is mounted on the robot and the chosen coordinate frame for the poses is `external` or the chosen region of interest is defined in the external frame.

The returned pose of a detected `item` is the pose of the center of the detected rectangle in the desired reference frame (`pose_frame`), with its z axis pointing towards the camera and the x axis aligned with the long side of the item. This pose has a 180° rotation ambiguity around the z axis, which can be resolved by using the `+Match` extension with a `TEXTURED_BOX` item model. Each detected item includes a `uuid` (Universally Unique Identifier) and the `timestamp` of the oldest image that was used to detect it.

### Detection of items of type `RECTANGLE`

*BoxPick* supports multiple `item_models` of type `RECTANGLE`. Each item model is defined by its minimum and maximum size, with the minimum dimensions strictly smaller than the maximum dimensions. The dimensions should be given fairly accurately to avoid misdetections, while still considering a certain tolerance to account for possible production variations and measurement inaccuracies.

The detection of the rectangles runs in several steps. First, the point cloud is segmented into preferably plane clusters. Then, straight line segments are detected in the 2D images and projected onto the corresponding clusters. The clusters and the detected lines are visualized in the “Intermediate Result” visualization on the Web GUI’s *BoxPick* page. Finally, for each cluster, the set of rectangles best fitting to the detected line segments is extracted.

### Detection of items of type TEXTURED\_BOX (BoxPick+Match)

With the +Match extension, BoxPick additionally supports `item_models` of type TEXTURED\_BOX. When this item model type is used, only one item model can be given for each request.

The TEXTURED\_BOX item model type should be used to detect multiple rectangles that have the same texture, i.e. the same look or print, such as printed product packaging, labels, brochures or books. It is required that for all objects the texture is at the same position with respect to the object geometry. Furthermore, the texture should not be repetitive.

A TEXTURED\_BOX item is defined by the item’s exact dimensions `x`, `y` and `z` (only `z` is allowed to be 0) with a tolerance `dimensions_tolerance_m` that indicates, how much the detected dimensions are allowed to deviate from the given dimensions. By default, a tolerance of 0.01 m is assumed. Furthermore, a `template_id` must be given, which will be used to refer to the specified dimensions and the textures of the detected rectangles. Additionally, the maximum possible deformation of the items `max_deformation_m` can be given in meters (default 0.004 m), to account for rigid or more flexible objects.

If a `template_id` is used for the first time, BoxPick will run the detection of rectangles as for the item model type RECTANGLE, and use the given dimensions and tolerance to specify the dimensions range. If the `z` dimension is given in addition to `x` and `y`, rectangles with all possible combinations of the three dimensions will be detected. From the detected rectangles, so-called *views* are created, which contain the shape and the image intensity values of the rectangles, and are stored in a newly created template with the given `template_id`. The views are created iteratively: Starting from the detected rectangle with the highest score, a view is created and then used to detect more rectangles with the same texture. Then, all remaining clusters are used to detect further rectangles by the given dimensions range and again a view is created from the best rectangle and used for further detections. Each template can store up to 10 different views, for example corresponding to different types of the same product packaging. Each view will be assigned a unique ID (`view_uuid`) and all rectangle items with a matching texture will be assigned the same `view_uuid`. That also means that all items with the same `view_uuid` will have consistent orientations, because the orientation of each item is aligned with its texture. The views can be displayed, deleted and the orientation of each view can be set via the [Web GUI](#) (Section 7.1) by clicking on the template or its edit symbol in the template list. Each detected item contains a field `view_pose_set` indicating whether the orientation of the item’s view was explicitly set or is still unset at its original random state, which has a 180° ambiguity. Additionally, a user-defined name can be set for each view, that is returned along with the `view_uuid` for all items and allows an easier identification of a specific view. The type of a returned item with a `view_uuid` will be TEXTURED\_RECTANGLE.

If the template with the given `template_id` already exists, the existing views will be used to detect rectangles based on their texture. If additional rectangles are found with matching dimensions, but different texture, new views will be generated and added to the template. When the maximum number of views is reached, views that are matched only rarely will be deleted so that newly generated views can be added to the template and the template is kept up-to-date. To prevent a template from being updated, automatic view updating can be disabled and enabled for each template in the Web GUI by clicking on the template or the edit symbol in the template list. The dimension tolerance and the maximum deformation can also be changed there for each template. The maximum deformation determines the tolerance for the texture matching, representing possible shifts within the texture, e.g. caused by deformations of the object surface. For rigid objects the `max_deformation_m` should be set to a low value in meters to ensure accurate matching.

The template’s dimensions can only be specified when creating a new template. Once the template is generated, the dimensions cannot be changed and do not need to be given in the detect request. If the dimensions are still given in the request, they must match the existing dimensions in the template.

However, the `dimensions_tolerance_m` and `max_deformation_m` can be set differently in every detect request and their values will also be updated in the stored template.

### 6.2.5.3 Computation of grasps

The BoxPick module offers a service for computing grasps for suction grippers. The gripper is defined by its suction surface length and width.

The grasps are computed on the detected rectangular items (see [Detection of items](#), Section 6.2.5.2).

Optionally, further information can be given to the module in a grasp computation request:

- The ID of the load carrier which contains the items to be grasped.
- A compartment inside the load carrier where to compute grasps (see [Load carrier compartments](#), Section 6.4.1.3).
- The ID of the 3D region of interest where to search for the load carriers if a load carrier is set. Otherwise, the ID of the 3D region of interest where to compute grasps.
- Collision detection information: The ID of the gripper to enable collision checking and optionally a pre-grasp offset to define a pre-grasp position. Details on collision checking are given below in [CollisionCheck](#) (Section 6.2.5.5).

A grasp provided by the BoxPick module represents the recommended pose of the TCP (Tool Center Point) of the suction gripper. The grasp type is always set to `SUCTION`. The computed grasp pose is the center of the biggest ellipse that can be inscribed in each surface. The grasp orientation is a right-handed coordinate system and is defined such that its z axis is normal to the surface pointing inside the object at the grasp position and its x axis is directed along the maximum elongation of the ellipse. Since the x axis can have two possible directions, the one that better fits to the preferred TCP orientation (see [Setting the preferred orientation of the TCP](#), Section 6.2.5.4) is selected. If the run-time parameter `allow_any_grasp_z_rotation` is set to true, the x axis will not be forced to be aligned with the maximum elongation of the graspable ellipse, but can have any rotation around the z axis. In this case, the returned grasp will have the orientation that best fits to the preferred TCP orientation and is collision free, if collision checking is enabled.

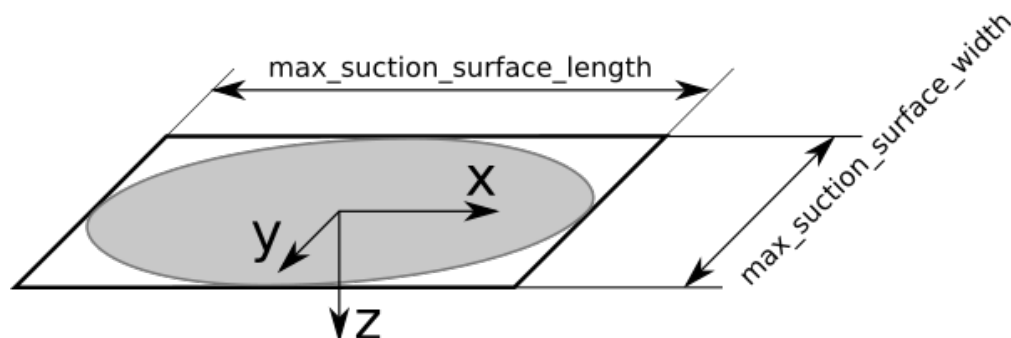


Fig. 6.13: Illustration of a suction grasp with coordinate system and ellipse representing the maximum suction surface

Each grasp includes the dimensions of the maximum suction surface available, modelled as an ellipse of axes `max_suction_surface_length` and `max_suction_surface_width`. The user is enabled to filter grasps by specifying the minimum suction surface required by the suction device in use. If the run-time parameter `allow_any_grasp_z_rotation` is set to true, `max_suction_surface_length` and `max_suction_surface_width` will be equal and correspond to the shortest axis of the largest graspable ellipse.

In the BoxPick module, the grasp position corresponds to the center of the detected rectangle. When BoxPick is called with item models of type `RECTANGLE`, the dimensions of the maximum suction surface available matches the estimated rectangle dimensions. In this case, detected rectangles with missing data or occlusions by other objects for more than 15% of their surface do not get an associated grasp.

When BoxPick is called with item models of type TEXTURED\_BOX, grasps can also be computed on partly occluded boxes. The maximum suction surface available matches the free surface that is not occluded by other clusters.

Each grasp also includes a `quality` value, which gives an indication of the flatness of the grasping surface. The `quality` value varies between 0 and 1, where higher numbers correspond to a flatter reconstructed surface.

The grasp definition is complemented by a `uuid` (Universally Unique Identifier) and the `timestamp` of the oldest image that was used to compute the grasp.

Grasp sorting is performed based on the selected sorting strategy. The following sorting strategies are available and can be set in the [Web GUI](#) (Section 7.1) or using the `set_sorting_strategies` service call:

- `gravity`: highest grasp points along the gravity direction are returned first,
- `surface_area`: grasp points with the largest surface area are returned first,
- `direction`: grasp points with the shortest distance along a defined direction vector in a given `pose_frame` are returned first.
- `distance_to_point`: grasp points with the shortest or farthest (if `farthest_first` is true) distance from a point in a given `pose_frame` are returned first.

If no sorting strategy is set or default sorting is chosen in the Web GUI, sorting is done based on a combination of `gravity` and `surface_area`.

#### 6.2.5.4 Setting the preferred orientation of the TCP

The BoxPick module determines the reachability of grasp points based on the *preferred orientation* of the TCP. The preferred orientation can be set via the `set_preferred_orientation` service or on the BoxPick page in the Web GUI. The resulting direction of the TCP's z axis is used to reject grasps which cannot be reached by the gripper. Furthermore, the preferred orientation is used to select one grasp of several possible symmetries that is best reachable for the robot.

The preferred orientation can be set in the camera coordinate frame or in the external coordinate frame, in case a hand-eye calibration is available. If the preferred orientation is specified in the external coordinate frame and the sensor is robot mounted, the current robot pose has to be given to each object detection call. If no preferred orientation is set, the orientation of the left camera (see [Coordinate frames](#)) will be used as the preferred orientation of the TCP.used.

#### 6.2.5.5 Interaction with other modules

Internally, the BoxPick module depends on, and interacts with other on-board modules as listed below.

**Note:** All changes and configuration updates to these modules will affect the performance of the BoxPick module.

#### Stereo camera and Stereo matching

The BoxPick module makes internally use of the following data:

- Rectified images from the [Camera](#) module (`rc_camera`, Section 6.1.1);
- Disparity, error, and confidence images from the [Stereo matching](#) module (`rc_stereomatching`, Section 6.1.2).

All processed images are guaranteed to be captured after the module trigger time.



## IO and Projector Control

In case the *rc\_visard NG* is used in conjunction with an external random dot projector and the *IO and Projector Control* module (*rc\_iocontrol*, Section 6.3.4), it is recommended to connect the projector to GPIO Out 1 and set the stereo-camera module's acquisition mode to *SingleFrameOut1* (see *Stereo matching parameters*, Section 6.1.2.5), so that on each image acquisition trigger an image with and without projector pattern is acquired.

Alternatively, the output mode for the GPIO output in use should be set to *ExposureAlternateActive* (see *Description of run-time parameters*, Section 6.3.4.1).

In either case, the *Auto Exposure Mode* *exp\_auto\_mode* should be set to *AdaptiveOut1* to optimize the exposure of both images (see *Stereo camera parameters*, Section 6.1.1.3).

## Hand-eye calibration

In case the camera has been calibrated to a robot, the *BoxPick* module can automatically provide poses in the robot coordinate frame. For the *BoxPick* node's *Services* (Section 6.2.5.8), the frame of the output poses can be controlled with the *pose\_frame* argument.

Two different *pose\_frame* values can be chosen:

1. **Camera frame** (*camera*). All poses provided by the modules are in the camera frame, and no prior knowledge about the pose of the camera in the environment is required. This means that the configured regions of interest and load carriers move with the camera. It is the user's responsibility to update the configured poses if the camera frame moves (e.g. with a robot-mounted camera).
2. **External frame** (*external*). All poses provided by the modules are in the external frame, configured by the user during the hand-eye calibration process. The module relies on the on-board *Hand-eye calibration module* (Section 6.3.1) to retrieve the sensor mounting (static or robot mounted) and the hand-eye transformation. If the mounting is static, no further information is needed. If the sensor is robot-mounted, the *robot\_pose* is required to transform poses to and from the external frame.

**Note:** If no hand-eye calibration is available, all *pose\_frame* values should be set to *camera*.

All *pose\_frame* values that are not *camera* or *external* are rejected.

If the sensor is robot-mounted, the current *robot\_pose* has to be provided depending on the value of *pose\_frame* and the definition of the sorting direction or sorting point:

- If *pose\_frame* is set to *external*, providing the robot pose is obligatory.
- If the sorting direction is defined in *external*, providing the robot pose is obligatory.
- If the distance-to-point sorting strategy is defined in *external*, providing the robot pose is obligatory.
- In all other cases, providing the robot pose is optional.

## LoadCarrier

The *BoxPick* module uses the load carrier detection functionality provided by the *LoadCarrier* module (*rc\_load\_carrier*, Section 6.2.2), with the run-time parameters specified for this module. However, only one load carrier will be returned and used in case multiple matching load carriers could be found in the scene. In case multiple load carriers of the same type are visible, a 3D region of interest should be set to ensure that always the same load carrier is used for the *BoxPick* module.

The load carrier is used to filter false detections when *BoxPick* is triggered with an item model of type *TEXTURED\_BOX* and all three dimensions *x*, *y*, *z* are given. In this case, 3D boxes are created internally by



adding the missing dimensions to the detected rectangles and only detections corresponding to boxes which are fully inside the detected load carrier are returned.

### CollisionCheck

Collision checking can be easily enabled for grasp computation of the BoxPick module by passing the ID of the used gripper and optionally a pre-grasp offset to the `compute_grasps` service call. The gripper has to be defined in the GripperDB module (see [Setting a gripper](#), Section 6.4.3.2) and details about collision checking are given in [Collision checking within other modules](#) (Section 6.3.2.2).

If collision checking is enabled, only grasps which are collision free will be returned. However, the visualization images on the *BoxPick* page of the Web GUI also show colliding grasp points as black ellipses.

The CollisionCheck module's run-time parameters affect the collision detection as described in [CollisionCheck Parameters](#) (Section 6.3.2.3).

#### 6.2.5.6 Parameters

The BoxPick module is called `rc_boxpick` in the REST-API and is represented in the [Web GUI](#) (Section 7.1) under *Modules* → *BoxPick*. The user can explore and configure the `rc_boxpick` module's run-time parameters, e.g. for development and testing, using the Web GUI or the [REST-API interface](#) (Section 7.3).

#### Parameter overview

This module offers the following run-time parameters:

Table 6.24: The rc\_boxpick module's run-time parameters

Name	Type	Min	Max	Default	Description
allow_any_grasp_z_rotation	bool	false	true	false	Whether the grasps are allowed to have arbitrary rotation instead being aligned with the major axis of the graspable ellipse
allow_untextured_detections	bool	false	true	false	Whether to return also untextured detections in case a textured box was given
cluster_max_curvature	float64	0.005	0.5	0.11	Maximum curvature allowed within one cluster. The smaller this value, the more clusters will be split apart.
clustering_discontinuity_factor	float64	0.1	5.0	1.0	Factor used to discriminate depth discontinuities within a patch. The smaller this value, the more clusters will be split apart.
clustering_max_surface_rmse	float64	0.0005	0.01	0.004	Maximum root-mean-square error (RMSE) in meters of points belonging to a surface
grasp_filter_orientation_threshold	float64	0.0	180.0	45.0	Maximum allowed orientation change between grasp and preferred orientation in degrees
line_sensitivity	float64	0.1	1.0	0.1	Sensitivity of the line detector
manual_line_sensitivity	bool	false	true	false	Indicates whether the user-defined line sensitivity should be used or the automatic one
max_grasps	int32	1	20	5	Maximum number of provided grasps
min_cluster_coverage	float64	0.0	0.99	0.0	Gives the minimal ratio of points per cluster that must be covered with detected items.
mode	string	-	-	Unconstrained	Mode of the rectangle detection: [Unconstrained, PackedGridLayout, PackedLayers]
prefer_splits	bool	false	true	false	Indicates whether rectangles are split into smaller ones when possible

## Description of run-time parameters

Each run-time parameter is represented by a row on the Web GUI's *BoxPick* page. The name in the Web GUI is given in brackets behind the parameter name and the parameters are listed in the order they appear in the Web GUI:

### `max_grasps` (*Maximum Grasps*)

sets the maximum number of provided grasps.

Via the REST-API, this parameter can be set as follows.

#### API version 2

```
PUT http://<host>/api/v2/pipelines/0/nodes/rc_boxpick/parameters/parameters?max_grasps=  
↔<value>
```

#### API version 1 (deprecated)

```
PUT http://<host>/api/v1/nodes/rc_boxpick/parameters?max_grasps=<value>
```

### `cluster_max_curvature` (*Cluster Maximum Curvature*)

is the maximum curvature allowed within one cluster. The smaller this value, the more clusters will be split apart.

Via the REST-API, this parameter can be set as follows.

#### API version 2

```
PUT http://<host>/api/v2/pipelines/0/nodes/rc_boxpick/parameters/parameters?cluster_  
↔max_curvature=<value>
```

#### API version 1 (deprecated)

```
PUT http://<host>/api/v1/nodes/rc_boxpick/parameters?cluster_max_curvature=<value>
```

### `clustering_discontinuity_factor` (*Discontinuity Factor*)

is the factor used to discriminate depth discontinuities within a patch. The smaller this value, the more clusters will be split apart.

Via the REST-API, this parameter can be set as follows.

#### API version 2

```
PUT http://<host>/api/v2/pipelines/0/nodes/rc_boxpick/parameters/parameters?clustering_  
↔discontinuity_factor=<value>
```

#### API version 1 (deprecated)

```
PUT http://<host>/api/v1/nodes/rc_boxpick/parameters?clustering_discontinuity_factor=  
↔<value>
```

**clustering\_max\_surface\_rmse** (*Maximum Surface RMSE*)

is the maximum root-mean-square error (RMSE) in meters of points belonging to a surface.

Via the REST-API, this parameter can be set as follows.

**API version 2**

```
PUT http://<host>/api/v2/pipelines/0/nodes/rc_boxpick/parameters/parameters?clustering_
->max_surface_rmse=<value>
```

**API version 1 (deprecated)**

```
PUT http://<host>/api/v1/nodes/rc_boxpick/parameters?clustering_max_surface_rmse=
-><value>
```

**mode** (*Mode*)

determines the mode of the rectangle detection. Possible values are Unconstrained, PackedGridLayout and PackedLayers. In PackedGridLayout mode, rectangles of a cluster are detected in a dense grid pattern. In PackedLayers mode, boxes are assumed to form layers and box detection will start searching for items at the cluster corners. Use this mode in de-palletizing applications. In Unconstrained mode (default), rectangles are detected without posing any constraints on their relative locations or their positions in the segmented cluster. Fig. 6.14 illustrates the modes for different scenarios.

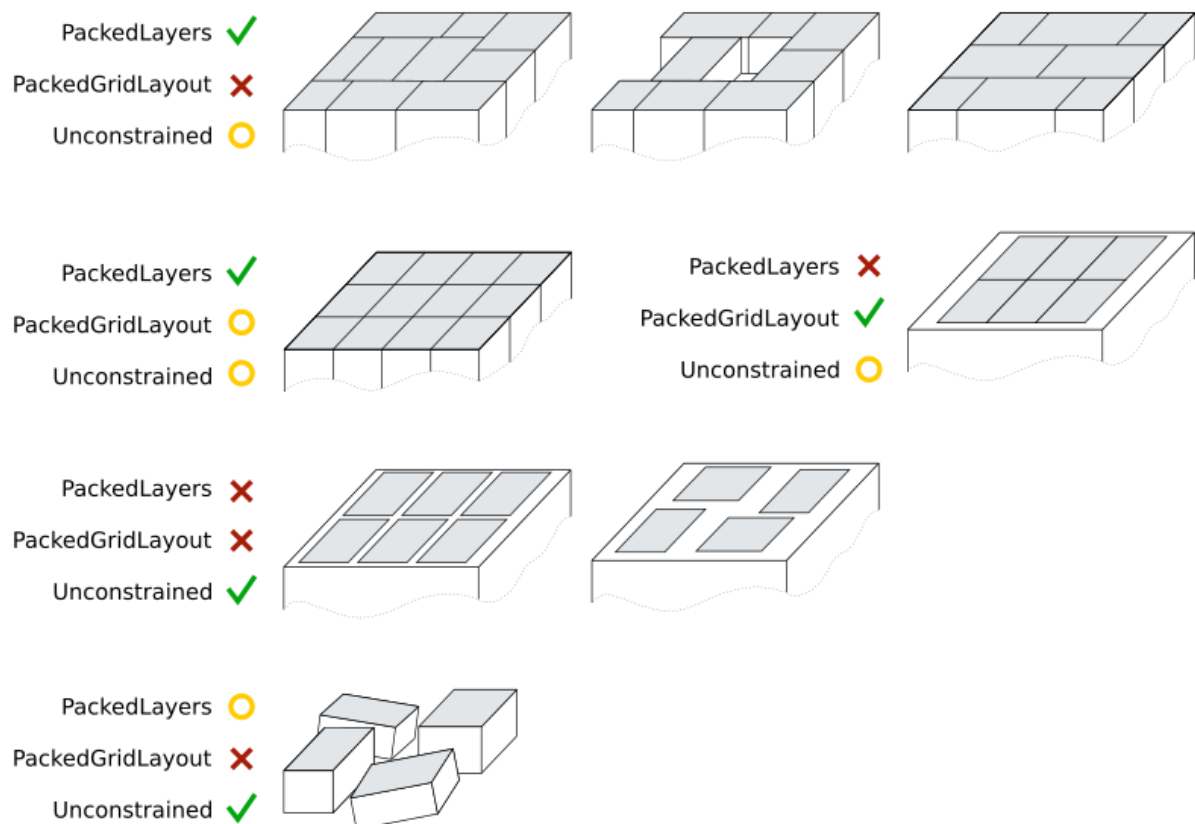


Fig. 6.14: Illustration of appropriate BoxPick modes for different scenes. Modes marked with yellow are applicable but not recommended for the corresponding scene. The gray areas indicate the rectangles to be detected.

Via the REST-API, this parameter can be set as follows.

#### API version 2

```
PUT http://<host>/api/v2/pipelines/0/nodes/rc_boxpick/parameters/parameters?mode=
↔<value>
```

#### API version 1 (deprecated)

```
PUT http://<host>/api/v1/nodes/rc_boxpick/parameters?mode=<value>
```

### manual\_line\_sensitivity (*Manual Line Sensitivity*)

determines whether the user-defined line sensitivity should be used to extract the lines for rectangle detection. If this parameter is set to true, the user-defined `line_sensitivity` value will be used. If this parameter is set to false, automatic line sensitivity will be used. This parameter should be set to true when automatic line sensitivity does not give enough lines at the box boundaries so that boxes cannot be detected. The detected line segments are visualized in the “Intermediate Result” visualization on the Web GUI’s *BoxPick* page.

Via the REST-API, this parameter can be set as follows.

#### API version 2

```
PUT http://<host>/api/v2/pipelines/0/nodes/rc_boxpick/parameters/parameters?manual_
↔line_sensitivity=<value>
```

#### API version 1 (deprecated)

```
PUT http://<host>/api/v1/nodes/rc_boxpick/parameters?manual_line_sensitivity=<value>
```

### line\_sensitivity (*Line Sensitivity*)

determines the line sensitivity for extracting the lines for rectangle detection, if the parameter `manual_line_sensitivity` is set to true. Otherwise, the value of this parameter has no effect on the rectangle detection. Higher values give more line segments, but also increase the runtime of the box detection. This parameter should be increased when boxes cannot be detected because their boundary edges are not detected. The detected line segments are visualized in the “Intermediate Result” visualization on the Web GUI’s *BoxPick* page.

Via the REST-API, this parameter can be set as follows.

#### API version 2

```
PUT http://<host>/api/v2/pipelines/0/nodes/rc_boxpick/parameters/parameters?line_
↔sensitivity=<value>
```

#### API version 1 (deprecated)

```
PUT http://<host>/api/v1/nodes/rc_boxpick/parameters?line_sensitivity=<value>
```

### prefer\_splits (*Prefer Splits*)

determines whether rectangles should be split into smaller ones if the smaller ones also match the given item models. This parameter should be set to true for packed box layouts in which the given item models would also match a rectangle of the

size of two adjoining boxes. If this parameter is set to false, the larger rectangles will be preferred in these cases.

Via the REST-API, this parameter can be set as follows.

#### API version 2

```
PUT http://<host>/api/v2/pipelines/0/nodes/rc_boxpick/parameters/parameters?prefer_
↳ splits=<value>
```

#### API version 1 (deprecated)

```
PUT http://<host>/api/v1/nodes/rc_boxpick/parameters?prefer_splits=<value>
```

### min\_cluster\_coverage (*Minimum Cluster Coverage*)

determines which ratio of each segmented cluster must be covered with rectangle detections to consider the detections to be valid. If the minimum cluster coverage is not reached for a cluster, no rectangle detections will be returned for this cluster and a warning will be given. This parameter should be used to verify that all items on a layer in a de-palletizing scenario are detected.

Via the REST-API, this parameter can be set as follows.

#### API version 2

```
PUT http://<host>/api/v2/pipelines/0/nodes/rc_boxpick/parameters/parameters?min_
↳ cluster_coverage=<value>
```

#### API version 1 (deprecated)

```
PUT http://<host>/api/v1/nodes/rc_boxpick/parameters?min_cluster_coverage=<value>
```

### allow\_untextured\_detections (*Only for BoxPick+Match, Allow Untextured Detections*)

enables returning all rectangles matching the given template dimensions, even when they cannot be matched to an existing view or when they do not have enough texture to create a new view from them. This parameter is only used when item models of type TEXTURED\_BOX are detected. Disabling this parameter leads to faster detections when used with a template for which the automatic view updating is disabled.

Via the REST-API, this parameter can be set as follows.

#### API version 2

```
PUT http://<host>/api/v2/pipelines/0/nodes/rc_boxpick/parameters/parameters?allow_
↳ untextured_detections=<value>
```

#### API version 1 (deprecated)

```
PUT http://<host>/api/v1/nodes/rc_boxpick/parameters?allow_untextured_detections=
↳ <value>
```

### grasp\_filter\_orientation\_threshold (*Grasp Orientation Threshold*)

is the maximum deviation of the TCP's z axis at the grasp point from the z axis of the TCP's preferred orientation in degrees. Only grasp points which are within this threshold are returned. When set to zero, any deviations are valid.

Via the REST-API, this parameter can be set as follows.

#### API version 2

```
PUT http://<host>/api/v2/pipelines/<0,1,2,3>/nodes/rc_boxpick/parameters?grasp_filter_
↔orientation_threshold=<value>
```

#### API version 1 (deprecated)

```
PUT http://<host>/api/v1/nodes/rc_boxpick/parameters?grasp_filter_orientation_
↔threshold=<value>
```

### allow\_any\_grasp\_z\_rotation (*Allow Any Grasp Z Rotation*)

If set to true, the returned grasps are no longer forced to have their x axes aligned with the maximum elongation of the graspable ellipse, but can have any rotation around the z axis. The returned max\_suction\_surface\_length and max\_suction\_surface\_width will be equal and correspond to the shortest diameter of the largest graspable ellipse. This parameter enables the robot to get more options for grasping objects, especially in scenes where collisions can occur. However, since the grasp is no longer aligned with the graspable ellipse, the correct orientation for placing the object must be determined from the corresponding item's pose.

Via the REST-API, this parameter can be set as follows.

#### API version 2

```
PUT http://<host>/api/v2/pipelines/<0,1,2,3>/nodes/rc_boxpick/parameters?allow_any_
↔grasp_z_rotation=<value>
```

#### API version 1 (deprecated)

```
PUT http://<host>/api/v1/nodes/rc_boxpick/parameters?allow_any_grasp_z_rotation=<value>
```

### 6.2.5.7 Status values

The rc\_boxpick module reports the following status values:

Table 6.25: The rc\_boxpick module's status values

Name	Description
data_acquisition_time	Time in seconds required by the last active service to acquire images
grasp_computation_time	Processing time of the last grasp computation in seconds
last_timestamp_processed	The timestamp of the last processed dataset
load_carrier_detection_time	Processing time of the last load carrier detection in seconds
processing_time	Processing time of the last detection (including load carrier detection) in seconds
state	The current state of the rc_boxpick node

The reported state can take one of the following values.

Table 6.26: Possible states of the BoxPick module

State name	Description
IDLE	The module is idle.
RUNNING	The module is running and ready for load carrier detection and grasp computation.
FATAL	A fatal error has occurred.

### 6.2.5.8 Services

The user can explore and call the `rc_boxpick` module's services, e.g. for development and testing, using the [REST-API interface](#) (Section 7.3) or the `rc_visard NG Web GUI` (Section 7.1).

The BoxPick module offers the following services.

#### detect\_items

Triggers the detection of rectangles as described in [Detection of items](#) (Section 6.2.5.2).

#### Details

This service can be called as follows.

#### API version 2

```
PUT http://<host>/api/v2/pipelines/0/nodes/rc_boxpick/services/detect_items
```

#### API version 1 (deprecated)

```
PUT http://<host>/api/v1/nodes/rc_boxpick/services/detect_items
```

#### Request

Required arguments:

`pose_frame`: see [Hand-eye calibration](#) (Section 6.2.5.5).

`item_models`: list of item models to be detected. The type of the item model must be `RECTANGLE` or `TEXTURED_BOX`. For type `RECTANGLE`, `rectangle` must be filled, while for `TEXTURED_BOX`, `textured_box` must be filled. See [Detection of items](#) (Section 6.2.5.2) for a detailed description of the item model types.

Potentially required arguments:

`robot_pose`: see [Hand-eye calibration](#) (Section 6.2.5.5).

Optional arguments:

`load_carrier_id`: ID of the load carrier which contains the items to be detected.

`load_carrier_compartment`: compartment inside the load carrier where to detect items (see [Load carrier compartments](#), Section 6.4.1.3).

`region_of_interest_id`: if `load_carrier_id` is set, ID of the 3D region of interest where to search for the load carriers. Otherwise, ID of the 3D region of interest where to search for the items.

The definition for the request arguments with corresponding datatypes is:

```
{
  "args": {
    "item_models": [
      {
        "rectangle": {
          "max_dimensions": {
            "x": "float64",
            "y": "float64"
          },
          "min_dimensions": {
            "x": "float64",
            "y": "float64"
          }
        }
      }
    ]
  }
}
```

(continues on next page)





```
{
  "name": "detect_items",
  "response": {
    "items": [
      {
        "pose": {
          "orientation": {
            "w": "float64",
            "x": "float64",
            "y": "float64",
            "z": "float64"
          },
          "position": {
            "x": "float64",
            "y": "float64",
            "z": "float64"
          }
        },
        "pose_frame": "string",
        "rectangle": {
          "x": "float64",
          "y": "float64"
        },
        "template_id": "string",
        "timestamp": {
          "nsec": "int32",
          "sec": "int32"
        },
        "type": "string",
        "uuid": "string",
        "view_name": "string",
        "view_pose_set": "bool",
        "view_uuid": "string"
      }
    ],
    "load_carriers": [
      {
        "height_open_side": "float64",
        "id": "string",
        "inner_dimensions": {
          "x": "float64",
          "y": "float64",
          "z": "float64"
        },
        "outer_dimensions": {
          "x": "float64",
          "y": "float64",
          "z": "float64"
        },
        "overfilled": "bool",
        "pose": {
          "orientation": {
            "w": "float64",
            "x": "float64",
            "y": "float64",
            "z": "float64"
          },
          "position": {
            "x": "float64",
            "y": "float64",
            "z": "float64"
          }
        }
      }
    ]
  }
}
```

(continues on next page)

(continued from previous page)

```

    },
    "pose_frame": "string",
    "rim_ledge": {
      "x": "float64",
      "y": "float64"
    },
    "rim_step_height": "float64",
    "rim_thickness": {
      "x": "float64",
      "y": "float64"
    },
    "type": "string"
  }
],
"return_code": {
  "message": "string",
  "value": "int16"
},
"timestamp": {
  "nsec": "int32",
  "sec": "int32"
}
}
}
}

```

### compute\_grasps

Triggers the detection of rectangles and the computation of grasping poses for the detected rectangles as described in [Computation of grasps](#) (Section 6.2.5.3).

#### Details

This service can be called as follows.

#### API version 2

```
PUT http://<host>/api/v2/pipelines/0/nodes/rc_boxpick/services/compute_grasps
```

#### API version 1 (deprecated)

```
PUT http://<host>/api/v1/nodes/rc_boxpick/services/compute_grasps
```

#### Request

Required arguments:

pose\_frame: see [Hand-eye calibration](#) (Section 6.2.5.5).

item\_models: list of item models to be detected. The type of the item model must be RECTANGLE or TEXTURED\_BOX. For type RECTANGLE, rectangle must be filled, while for TEXTURED\_BOX, textured\_box must be filled. See [Detection of items](#) (Section 6.2.5.2) for a detailed description of the item model types.

suction\_surface\_length: length of the suction device grasping surface.

suction\_surface\_width: width of the suction device grasping surface.

Potentially required arguments:

robot\_pose: see [Hand-eye calibration](#) (Section 6.2.5.5).

Optional arguments:

load\_carrier\_id: ID of the load carrier which contains the items to be grasped.

load\_carrier\_compartment: compartment inside the load carrier where to compute grasps (see [Load carrier compartments](#), Section 6.4.1.3).

region\_of\_interest\_id: if load\_carrier\_id is set, ID of the 3D region of interest where to search for the load carriers. Otherwise, ID of the 3D region of interest where to compute grasps.

collision\_detection: see [Collision checking within other modules](#) (Section 6.3.2.2).

The definition for the request arguments with corresponding datatypes is:

```
{
  "args": {
    "collision_detection": {
      "gripper_id": "string",
      "pre_grasp_offset": {
        "x": "float64",
        "y": "float64",
        "z": "float64"
      }
    },
    "item_models": [
      {
        "rectangle": {
          "max_dimensions": {
            "x": "float64",
            "y": "float64"
          },
          "min_dimensions": {
            "x": "float64",
            "y": "float64"
          }
        },
        "textured_box": {
          "dimensions": {
            "x": "float64",
            "y": "float64",
            "z": "float64"
          },
          "dimensions_tolerance_m": "float64",
          "max_deformation_m": "float64",
          "template_id": "string"
        },
        "type": "string"
      }
    ],
    "load_carrier_compartment": {
      "box": {
        "x": "float64",
        "y": "float64",
        "z": "float64"
      },
      "pose": {
        "orientation": {
          "w": "float64",
          "x": "float64",
          "y": "float64",
          "z": "float64"
        },
        "position": {
          "x": "float64",
```

(continues on next page)

(continued from previous page)

```

        "y": "float64",
        "z": "float64"
    }
}
},
"load_carrier_id": "string",
"pose_frame": "string",
"region_of_interest_id": "string",
"robot_pose": {
  "orientation": {
    "w": "float64",
    "x": "float64",
    "y": "float64",
    "z": "float64"
  },
  "position": {
    "x": "float64",
    "y": "float64",
    "z": "float64"
  }
},
"suction_surface_length": "float64",
"suction_surface_width": "float64"
}
}
}

```

**Response**

load\_carriers: list of detected load carriers.

grasps: sorted list of suction grasps.

items: list of detected rectangles corresponding to the returned grasps.

timestamp: timestamp of the image set the detection ran on.

return\_code: holds possible warnings or error codes and messages.

The definition for the response with corresponding datatypes is:

```

{
  "name": "compute_grasps",
  "response": {
    "grasps": [
      {
        "item_uuid": "string",
        "max_suction_surface_length": "float64",
        "max_suction_surface_width": "float64",
        "pose": {
          "orientation": {
            "w": "float64",
            "x": "float64",
            "y": "float64",
            "z": "float64"
          },
          "position": {
            "x": "float64",
            "y": "float64",
            "z": "float64"
          }
        }
      },
      "pose_frame": "string",
      "quality": "float64",

```

(continues on next page)

(continued from previous page)

```
    "timestamp": {
      "nsec": "int32",
      "sec": "int32"
    },
    "type": "string",
    "uuid": "string"
  }
],
"items": [
  {
    "grasp_uuids": [
      "string"
    ],
    "pose": {
      "orientation": {
        "w": "float64",
        "x": "float64",
        "y": "float64",
        "z": "float64"
      },
      "position": {
        "x": "float64",
        "y": "float64",
        "z": "float64"
      }
    },
    "pose_frame": "string",
    "rectangle": {
      "x": "float64",
      "y": "float64"
    },
    "template_id": "string",
    "timestamp": {
      "nsec": "int32",
      "sec": "int32"
    },
    "type": "string",
    "uuid": "string",
    "view_name": "string",
    "view_pose_set": "bool",
    "view_uuid": "string"
  }
],
"load_carriers": [
  {
    "height_open_side": "float64",
    "id": "string",
    "inner_dimensions": {
      "x": "float64",
      "y": "float64",
      "z": "float64"
    },
    "outer_dimensions": {
      "x": "float64",
      "y": "float64",
      "z": "float64"
    },
    "overfilled": "bool",
    "pose": {
      "orientation": {
        "w": "float64",
```

(continues on next page)

(continued from previous page)

```

        "x": "float64",
        "y": "float64",
        "z": "float64"
    },
    "position": {
        "x": "float64",
        "y": "float64",
        "z": "float64"
    }
},
"pose_frame": "string",
"rim_ledge": {
    "x": "float64",
    "y": "float64"
},
"rim_step_height": "float64",
"rim_thickness": {
    "x": "float64",
    "y": "float64"
},
"type": "string"
}
],
"return_code": {
    "message": "string",
    "value": "int16"
},
"timestamp": {
    "nsec": "int32",
    "sec": "int32"
}
}
}
}

```

### set\_preferred\_orientation

Persistently stores the preferred orientation of the TCP to compute the reachability of the grasps, which is used for filtering and the grasps returned by the compute\_grasps service (see [Setting the preferred orientation of the TCP](#), Section 6.2.5.4).

#### Details

This service can be called as follows.

#### API version 2

```
PUT http://<host>/api/v2/pipelines/0/nodes/rc_boxpick/services/set_preferred_
orientation
```

#### API version 1 (deprecated)

```
PUT http://<host>/api/v1/nodes/rc_boxpick/services/set_preferred_orientation
```

#### Request

The definition for the request arguments with corresponding datatypes is:

```
{
  "args": {
    "orientation": {
```

(continues on next page)

(continued from previous page)

```

    "w": "float64",
    "x": "float64",
    "y": "float64",
    "z": "float64"
  },
  "pose_frame": "string"
}
}

```

**Response**

The definition for the response with corresponding datatypes is:

```

{
  "name": "set_preferred_orientation",
  "response": {
    "return_code": {
      "message": "string",
      "value": "int16"
    }
  }
}

```

**get\_preferred\_orientation**

Returns the preferred orientation of the TCP to compute the reachability of the grasps, which is used for filtering the grasps returned by the `compute_grasps` service (see [Setting the preferred orientation of the TCP](#), Section 6.2.5.4).

**Details**

This service can be called as follows.

**API version 2**

```
PUT http://<host>/api/v2/pipelines/0/nodes/rc_boxpick/services/get_preferred_
↔orientation
```

**API version 1 (deprecated)**

```
PUT http://<host>/api/v1/nodes/rc_boxpick/services/get_preferred_orientation
```

**Request**

This service has no arguments.

**Response**

The definition for the response with corresponding datatypes is:

```

{
  "name": "get_preferred_orientation",
  "response": {
    "orientation": {
      "w": "float64",
      "x": "float64",
      "y": "float64",
      "z": "float64"
    },
    "pose_frame": "string",
    "return_code": {

```

(continues on next page)



(continued from previous page)

```

    "message": "string",
    "value": "int16"
  }
}
}

```

### set\_sorting\_strategies

Persistently stores the sorting strategy for sorting the grasps returned by the compute\_grasps service (see *Computation of grasps*, Section 6.2.5.3).

#### Details

This service can be called as follows.

#### API version 2

```
PUT http://<host>/api/v2/pipelines/0/nodes/rc_boxpick/services/set_sorting_strategies
```

#### API version 1 (deprecated)

```
PUT http://<host>/api/v1/nodes/rc_boxpick/services/set_sorting_strategies
```

#### Request

Only one strategy may have a weight greater than 0. If all weight values are set to 0, the module will use the default sorting strategy.

If the weight for direction is set, the vector must contain the direction vector and pose\_frame must be either camera or external.

If the weight for distance\_to\_point is set, point must contain the sorting point and pose\_frame must be either camera or external.

The definition for the request arguments with corresponding datatypes is:

```

{
  "args": {
    "direction": {
      "pose_frame": "string",
      "vector": {
        "x": "float64",
        "y": "float64",
        "z": "float64"
      },
      "weight": "float64"
    },
    "distance_to_point": {
      "farthest_first": "bool",
      "point": {
        "x": "float64",
        "y": "float64",
        "z": "float64"
      },
      "pose_frame": "string",
      "weight": "float64"
    },
    "gravity": {
      "weight": "float64"
    },
    "surface_area": {

```

(continues on next page)

(continued from previous page)

```

    "weight": "float64"
  }
}
}

```

**Response**

The definition for the response with corresponding datatypes is:

```

{
  "name": "set_sorting_strategies",
  "response": {
    "return_code": {
      "message": "string",
      "value": "int16"
    }
  }
}
}

```

**get\_sorting\_strategies**

Returns the sorting strategy for sorting the grasps returned by the compute-grasps service (see [Computation of grasps](#), Section 6.2.5.3).

**Details**

This service can be called as follows.

**API version 2**

```
PUT http://<host>/api/v2/pipelines/0/nodes/rc_boxpick/services/get_sorting_strategies
```

**API version 1 (deprecated)**

```
PUT http://<host>/api/v1/nodes/rc_boxpick/services/get_sorting_strategies
```

**Request**

This service has no arguments.

**Response**

All weight values are 0 when the module uses the default sorting strategy.

The definition for the response with corresponding datatypes is:

```

{
  "name": "get_sorting_strategies",
  "response": {
    "direction": {
      "pose_frame": "string",
      "vector": {
        "x": "float64",
        "y": "float64",
        "z": "float64"
      },
      "weight": "float64"
    },
    "distance_to_point": {
      "farthest_first": "bool",
      "point": {
        "x": "float64",

```

(continues on next page)

(continued from previous page)

```
    "y": "float64",
    "z": "float64"
  },
  "pose_frame": "string",
  "weight": "float64"
},
"gravity": {
  "weight": "float64"
},
"return_code": {
  "message": "string",
  "value": "int16"
},
"surface_area": {
  "weight": "float64"
}
}
```

## start

Starts the module. If the command is accepted, the module moves to state RUNNING.

### Details

This service can be called as follows.

### API version 2

```
PUT http://<host>/api/v2/pipelines/0/nodes/rc_boxpick/services/start
```

### API version 1 (deprecated)

```
PUT http://<host>/api/v1/nodes/rc_boxpick/services/start
```

### Request

This service has no arguments.

### Response

The `current_state` value in the service response may differ from RUNNING if the state transition is still in process when the service returns.

The definition for the response with corresponding datatypes is:

```
{
  "name": "start",
  "response": {
    "accepted": "bool",
    "current_state": "string"
  }
}
```

## stop

Stops the module. If the command is accepted, the module moves to state IDLE.

### Details

This service can be called as follows.

**API version 2**

```
PUT http://<host>/api/v2/pipelines/0/nodes/rc_boxpick/services/stop
```

**API version 1 (deprecated)**

```
PUT http://<host>/api/v1/nodes/rc_boxpick/services/stop
```

**Request**

This service has no arguments.

**Response**

The `current_state` value in the service response may differ from IDLE if the state transition is still in process when the service returns.

The definition for the response with corresponding datatypes is:

```
{
  "name": "stop",
  "response": {
    "accepted": "bool",
    "current_state": "string"
  }
}
```

**reset\_defaults**

Resets all parameters of the module to its default values, as listed in above table. Also resets sorting strategies.

**Details**

This service can be called as follows.

**API version 2**

```
PUT http://<host>/api/v2/pipelines/0/nodes/rc_boxpick/services/reset_defaults
```

**API version 1 (deprecated)**

```
PUT http://<host>/api/v1/nodes/rc_boxpick/services/reset_defaults
```

**Request**

This service has no arguments.

**Response**

The definition for the response with corresponding datatypes is:

```
{
  "name": "reset_defaults",
  "response": {
    "return_code": {
      "message": "string",
      "value": "int16"
    }
  }
}
```

### 6.2.5.9 Return codes

Each service response contains a `return_code`, which consists of a value plus an optional message. A successful service returns with a `return_code` value of 0. Negative `return_code` values indicate that the service failed. Positive `return_code` values indicate that the service succeeded with additional information. The smaller value is selected in case a service has multiple `return_code` values, but all messages are appended in the `return_code` message.

The following table contains a list of common codes:

Table 6.27: Return codes of the BoxPick services

Code	Description
0	Success
-1	An invalid argument was provided
-3	An internal timeout occurred, e.g. during box detection if the given dimension range is too large
-4	Data acquisition took longer than allowed
-8	The template has been deleted during detection.
-10	New element could not be added as the maximum storage capacity of load carriers, regions of interest or template has been exceeded
-11	Sensor not connected, not supported or not ready
-200	Fatal internal error
-301	More than one item model provided to the <code>compute_grasps</code> service
10	The maximum storage capacity of load carriers, regions of interest or templates has been reached
11	An existent persistent model was overwritten by the call to <code>set_load_carrier</code> or <code>set_region_of_interest</code>
100	The requested load carriers were not detected in the scene
101	No valid surfaces or grasps were found in the scene
102	The detected load carrier is empty
103	All computed grasps are in collision with the load carrier
112	Rejected detections of one or more clusters, because <code>min_cluster_coverage</code> was not reached.
300	A valid <code>robot_pose</code> was provided as argument but it is not required
999	Additional hints for application development

### 6.2.5.10 BoxPick Template API

BoxPick templates are only available with the `+Match` extension of BoxPick. For template upload, download, listing and removal, special REST-API endpoints are provided. Templates can also be uploaded, downloaded and removed via the Web GUI. The templates include the dimensions, the views and their poses, if set. Up to 100 templates can be stored persistently on the `rc_visard NG`.

#### GET /templates/rc\_boxpick

Get list of all `rc_boxpick` templates.

#### Template request

```
GET /api/v2/templates/rc_boxpick HTTP/1.1
```

#### Template response

```
HTTP/1.1 200 OK
Content-Type: application/json

[
  {
    "id": "string"
```

(continues on next page)

(continued from previous page)

```
}  
]
```

### Response Headers

- **Content-Type** – application/json application/ubjson

### Status Codes

- **200 OK** – successful operation (*returns array of Template*)
- **404 Not Found** – node not found

### Referenced Data Models

- *Template* (Section 7.3.3)

#### GET /templates/rc\_boxpick/{id}

Get a rc\_boxpick template. If the requested content-type is application/octet-stream, the template is returned as file.

#### Template request

```
GET /api/v2/templates/rc_boxpick/<id> HTTP/1.1
```

#### Template response

```
HTTP/1.1 200 OK  
Content-Type: application/json  
  
{  
  "id": "string"  
}
```

### Parameters

- **id** (*string*) – id of the template (*required*)

### Response Headers

- **Content-Type** – application/json application/ubjson application/octet-stream

### Status Codes

- **200 OK** – successful operation (*returns Template*)
- **404 Not Found** – node or template not found

### Referenced Data Models

- *Template* (Section 7.3.3)

#### PUT /templates/rc\_boxpick/{id}

Create or update a rc\_boxpick template.

#### Template request

```
PUT /api/v2/templates/rc_boxpick/<id> HTTP/1.1  
Accept: multipart/form-data application/json
```

#### Template response

```

HTTP/1.1 200 OK
Content-Type: application/json

{
  "id": "string"
}

```

**Parameters**

- **id** (*string*) – id of the template (*required*)

**Form Parameters**

- **file** – template file (*required*)

**Request Headers**

- **Accept** – multipart/form-data application/json

**Response Headers**

- **Content-Type** – application/json application/ubjson

**Status Codes**

- **200 OK** – successful operation (*returns Template*)
- **400 Bad Request** – Template is not valid or max number of templates reached
- **403 Forbidden** – forbidden, e.g. because there is no valid license for this module.
- **404 Not Found** – node or template not found
- **413 Request Entity Too Large** – Template too large

**Referenced Data Models**

- *Template* (Section 7.3.3)

**DELETE** /templates/rc\_boxpick/{id}

Remove a rc\_boxpick template.

**Template request**

```

DELETE /api/v2/templates/rc_boxpick/<id> HTTP/1.1
Accept: application/json application/ubjson

```

**Parameters**

- **id** (*string*) – id of the template (*required*)

**Request Headers**

- **Accept** – application/json application/ubjson

**Response Headers**

- **Content-Type** – application/json application/ubjson

**Status Codes**

- **200 OK** – successful operation
- **403 Forbidden** – forbidden, e.g. because there is no valid license for this module.
- **404 Not Found** – node or template not found

## 6.2.6 SilhouetteMatch

### 6.2.6.1 Introduction

The SilhouetteMatch module is an optional on-board module of the *rc\_visard NG* and requires a separate SilhouetteMatch *license* (Section 9.7) to be purchased.

The module detects objects by matching a predefined silhouette (“template”) to edges in the image.

The SilhouetteMatch module can detect objects in two different scenarios:

**With calibrated base plane:** The objects are placed on a common base plane, which must be calibrated before the detection, and the objects have significant edges on a common plane that is parallel to the base plane.

**With object plane detection:** The objects can be placed at different, previously unknown heights, if the objects have a planar surface and their outer contours are well visible in the images (e.g. stacked flat objects).

Templates for object detection can be created by uploading a DXF file and specifying the object height. The correct scale and unit of the contours are extracted from the DXF file. If no units are present in the DXF file, the user has to specify which units should be used. When the outer contour of the object in the DXF file is closed, a 3D collision model is created automatically by extruding the contour by the given object height. This model will then be used for collision checking and in 3D visualizations. Uploading a DXF file can be done in the Web GUI via the *+ Create a new Template* button in the *SilhouetteMatch Templates and Grasps* section on the *Modules* → *SilhouetteMatch* or *Database* → *Templates* pages.

Roboception also offers a template generation service on their [website \(https://roboception.com/en/template-request/\)](https://roboception.com/en/template-request/), where the user can upload CAD files or recorded data of the objects and request object templates for the SilhouetteMatch module.

The object templates consist of significant edges of each object. These template edges are matched to the edges detected in the left and right camera images, considering the actual size of the objects and their distance from the camera. The poses of the detected objects are returned and can be used for grasping, for example.

The SilhouetteMatch module offers:

- A dedicated page on the *rc\_visard NG Web GUI* (Section 7.1) for easy setup, configuration, testing, and application tuning.
- A *REST-API interface* (Section 7.3) and a *KUKA Ethernet KRL Interface* (Section 7.4).
- The definition of 2D regions of interest to select relevant parts of the camera image (see *Setting a region of interest*, Section 6.2.6.3).
- A load carrier detection functionality for bin-picking applications (see *LoadCarrier*, Section 6.2.2), to provide grasps for objects inside a bin only.
- Storing of up to 50 templates.
- The definition of up to 50 grasp points for each template via an interactive visualization in the Web GUI.
- Collision checking between the gripper and the load carrier, the calibrated base plane, other detected objects and/or the point cloud.
- Support for static and robot-mounted cameras and optional integration with the *Hand-eye calibration* (Section 6.3.1) module, to provide grasps in the user-configured external reference frame.
- Selection of a sorting strategy to sort the detected objects and returned grasps.
- 3D visualization of the detection results with grasp points and gripper animations in the Web GUI.



### Suitable objects

The SilhouetteMatch module is intended for objects which have significant edges on a common plane that is parallel to the plane on which the objects are placed. This applies to flat, nontransparent objects, such as routed, laser-cut or water-cut 2D parts and flat-machined parts. More complex parts can also be detected if there are significant edges on a common plane, e.g. a special pattern printed on a flat surface. The detection works best for objects on a texture-free plane. The color of the base plane should be chosen such that a clear contrast between the objects and the base plane appears in the intensity image.

In case the objects are not placed on a common base plane or the base plane cannot be calibrated beforehand, the objects need to have a planar surface and their outer contour must be well visible in the left and right images. Furthermore, the template for these objects must have a closed outer contour.

### Suitable scene

The scene must meet the following conditions to be suitable for the SilhouetteMatch module:

- The objects to be detected must be suitable for the SilhouetteMatch module as described above.
- Only objects belonging to one specific template are visible at a time (unmixed scenario). In case other objects are visible as well, a proper region of interest (ROI) must be set.
- In case a calibrated base plane is used: The offset between the base plane normal and the camera's line of sight does not exceed 10 degrees.
- In case the object planes are detected automatically: The offset between the object's planar surface normal and the camera's line of sight does not exceed 25 degrees.
- The objects are not partially or fully occluded.
- All visible objects are right side up (no flipped objects).
- The object edges to be matched are visible in both, left and right camera images.

#### 6.2.6.2 Base-plane calibration

In case all objects are placed on a common plane that is known beforehand, a base-plane calibration should be performed before triggering a detection. Thereby, the distance and angle of the plane on which the objects are placed is measured and stored persistently on the *rc\_visard NG*.

Separating the detection of the base plane from the actual object detection renders scenarios possible in which the base plane is temporarily occluded. Moreover, it increases performance of the object detection for scenarios where the base plane is fixed for a certain time; thus, it is not necessary to continuously re-detect the base plane.

The base-plane calibration can be performed in three different ways, which will be explained in more detail further down:

- AprilTag based
- Stereo based
- Manual

The base-plane calibration is successful if the normal vector of the estimated base plane is at most 10 degrees offset to the camera's line of sight. If the base-plane calibration is successful, it will be stored persistently on the *rc\_visard NG* until it is removed or a new base-plane calibration is performed.

**Note:** To avoid privacy issues, the image of the persistently stored base-plane calibration will appear blurred after rebooting the *rc\_visard NG*.

In scenarios where the base plane is not accessible for calibration, a plane parallel to the base plane can be calibrated. Then an `offset` parameter can be used to shift the estimated plane onto the actual base plane where the objects are placed. The `offset` parameter gives the distance in meters by which the estimated plane is shifted towards the camera.

In the REST-API, a plane is defined by a `normal` and a `distance`. `normal` is a normalized 3-vector, specifying the normal of the plane. The normal points away from the camera. `distance` represents the distance of the plane from the camera along the normal. Normal and distance can also be interpreted as  $a$ ,  $b$ ,  $c$ , and  $d$  components of the plane equation, respectively:

$$ax + by + cz + d = 0$$

### AprilTag based base-plane calibration

AprilTag detection (ref. [TagDetect](#), Section 6.2.3) is used to find AprilTags in the scene and fit a plane through them. At least three AprilTags must be placed on the base plane so that they are visible in the left and right camera images. The tags should be placed such that they are spanning a triangle that is as large as possible. The larger the triangle, the more accurate is the resulting base-plane estimate. Use this method if the base plane is untextured and no external random dot projector is available. This calibration mode is available via the [REST-API interface](#) (Section 7.3) and the `rc_visard NG` Web GUI.

### Stereo based base-plane calibration

The 3D point cloud computed by the stereo matching module is used to fit a plane through its 3D points. Therefore, the region of interest (ROI) for this method must be set such that only the relevant base plane is included. The `plane_preference` parameter allows to select whether the plane closest to or farthest from the camera should be used as base plane. Selecting the closest plane can be used in scenarios where the base plane is completely occluded by objects or not accessible for calibration. Use this method if the base plane is well textured or you can make use of a random dot projector to project texture on the base plane. This calibration mode is available via the [REST-API interface](#) (Section 7.3) and the `rc_visard NG` Web GUI.

### Manual base-plane calibration

The base plane can be set manually if its parameters are known, e.g. from previous calibrations. This calibration mode is only available via the [REST-API interface](#) (Section 7.3) and not the `rc_visard NG` Web GUI.

#### 6.2.6.3 Setting a region of interest

If objects are to be detected only in part of the camera's field of view, a 2D region of interest (ROI) can be set accordingly as described in [Region of interest](#) (Section 6.4.2.2).

#### 6.2.6.4 Setting of grasp points

To use `SilhouetteMatch` directly in a robot application, up to 50 grasp points can be defined for each template. A grasp point represents the desired position and orientation of the robot's TCP (Tool Center Point) to grasp an object as shown in [Fig. 6.15](#).

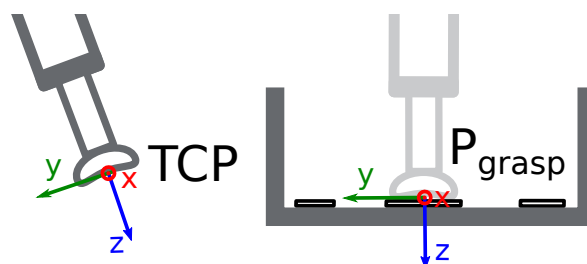


Fig. 6.15: Definition of grasp points with respect to the robot's TCP

Each grasp consists of an `id` which must be unique within all grasps for an object template, the `template_id` representing the template to which the grasp should be attached, and the pose in the coordinate frame of the object template. Grasp points can be set via the [REST-API interface](#) (Section 7.3), or by using the interactive visualization in the Web GUI. Furthermore, a priority (spanning -2 for very low to 2 for very high) can be assigned to a grasp. Priorities can facilitate robot applications and shorten response times when the run-time parameter `only_highest_priority_grasps` is set to true. In this case collision checking concludes when grasps with the highest possible priority have been found. Finally, different grasps can be associated with different grippers by specifying a `gripper_id`. These individual grippers are then used for collision checking of the corresponding grasps instead of the gripper defined in the `detect_object` request. If no `gripper_id` is given, the gripper defined in the `detect_object` request will be used for collision checking.

When a grasp is defined on a symmetric object, all grasps symmetric to the defined one will automatically be considered in the `SilhouetteMatch` module's `detect_object` service call. Symmetric grasps for a given grasp point can be retrieved using the `get_symmetric_grasps` service call and visualized in the Web GUI.

Users can also define replications of grasps around a custom axis. These replications spawn multiple grasps and free users from setting too many grasps manually. The replication origin is defined as a coordinate frame in the object's coordinate frame and the `x` axis of the replication origin frame corresponds to the replication axis. The grasp is replicated by rotating it around this `x` axis starting from its original pose. The replication is done in steps of size `step_x_deg` degrees. The range is defined by the minimal and maximal boundaries `min_x_deg` and `max_x_deg`. The minimal (maximal) boundary must be a non-positive (non-negative) number up to (minus) 180 degrees.

### Setting grasp points in the Web GUI

The `rc_visard NG` Web GUI provides an intuitive and interactive way of defining grasp points for object templates. In a first step, the object template has to be uploaded to the `rc_visard NG`. This can be done in the Web GUI in any pipeline under `Modules` → `SilhouetteMatch` by clicking on `+ Add a new Template` in the `Templates and Grasps` section, or in `Database` → `Templates` in the `SilhouetteMatch Templates and Grasps` section. Once the template upload is complete, a dialog with a 3D visualization of the object template is shown for adding or editing grasp points. The same dialog appears when editing an existing template. If the template contains a collision model or a visualization model, this 3D model is visualized as well.

This dialog provides two ways for setting grasp points:

1. **Adding grasps manually:** By clicking on the `+` symbol, a new grasp is placed in the object origin. The grasp can be given a unique name which corresponds to its ID. The desired pose of the grasp can be entered in the fields for `Position` and `Roll/Pitch/Yaw` which are given in the coordinate frame of the object template represented by the long `x`, `y` and `z` axes in the visualization. The grasp point can be placed freely with respect to the object template - inside, outside or on the surface. The grasp point and its orientation are visualized in 3D for verification.
2. **Adding grasps interactively:** Grasp points can be added interactively by first clicking on the `Add Grasp` button in the upper right corner of the visualization and then clicking on the desired point on the object template visualization. If the 3D model is displayed, the grasps will be attached to

the surface of the 3D model. Otherwise, the grasp is attached to the template surface. The grasp orientation is a right-handed coordinate system and is chosen such that its z axis is perpendicular to the surface pointing inside the template at the grasp position. The position and orientation in the object coordinate frame is displayed on the right. The position and orientation of the grasp can also be changed interactively. In case *Snap to surface* is disabled (default), the grasp can be translated and rotated freely in all three dimensions by clicking on *Move Grasp* in the visualization menu and then dragging the grasp along the appropriate axis to the desired position. The orientation of the grasp can also be changed by rotating the axis with the mouse. In case *Snap to surface* is enabled in the visualization, the grasp can only be moved along the model surface.

Users can also specify a grasp priority by changing the *Priority* slider. A dedicated gripper can be selected in the *Gripper* drop down field.

By activating the *Replication* check box, users can replicate the grasp around a custom axis. The replication axis and the resulting replicated grasps are visualized. The position and orientation of the replication axis relative to the object coordinate frame can be adjusted interactively by clicking on *Move Replication Axis* in the visualization menu and then dragging the axis to the desired position and orientation. The grasps are replicated within the specified rotation range at the selected rotation step size. Users can cycle through a visualization of the replicated grasps by dragging the bar below *Cycle through n replicated grasps* in the *View Options* section of the visualization menu. If a gripper is selected for the grasp or a gripper has been chosen in the visualization menu, the gripper is also shown at the currently selected grasp.

If the object template has symmetries, the grasps which are symmetric to the defined grasps can be displayed along with their replications (if defined) by enabling *... symmetries* in the *View Options* section of the visualization menu. The user can also cycle through a visualization of the symmetric grasps by dragging the bar below *Cycle through n symmetric grasps*.

### Setting grasp points via the REST-API

Grasp points can be set via the [REST-API interface](#) (Section 7.3) using the `set_grasp` or `set_all_grasps` services (see [Internal services](#), Section 6.2.6.12). A grasp consists of the `template_id` of the template to which the grasp should be attached, an `id` uniquely identifying the grasp point and the pose. The pose is given in the coordinate frame of the object template and consists of a position in meters and an orientation as quaternion. A dedicated gripper can be specified through setting the `grripper_id` field. The `priority` is specified by an integer value, ranging from -2 for very low, to 2 for very high with a step size of 1. The replication origin is defined as a transformation in the object's coordinate frame and the x axis of the transformation corresponds to the replication axis. The replication range is controlled by the `min_x_deg` and `max_x_deg` fields and the step size `step_x_deg`.

#### 6.2.6.5 Setting the preferred orientation of the TCP

The *SilhouetteMatch* module determines the reachability of grasp points based on the *preferred orientation* of the TCP. The preferred orientation can be set via the `set_preferred_orientation` service or on the *SilhouetteMatch* page in the Web GUI. The resulting direction of the TCP's z axis is used to reject grasps which cannot be reached by the gripper. Furthermore, the preferred orientation can be used to sort the reachable grasps by setting the corresponding sorting strategy.

The preferred orientation can be set in the camera coordinate frame or in the external coordinate frame, in case a hand-eye calibration is available. If the preferred orientation is specified in the external coordinate frame and the sensor is robot mounted, the current robot pose has to be given to each object detection call. If no preferred orientation is set, the orientation of the left camera (see [Coordinate frames](#)) will be used as the preferred orientation of the TCP.

#### 6.2.6.6 Setting the sorting strategies

The objects and grasps returned by the `detect_object` service call are sorted according to a sorting strategy which can be chosen by the user. The following sorting strategies are available and can be set

in the [Web GUI](#) (Section 7.1) or using the `set_sorting_strategies` service call:

- `preferred_orientation`: objects and grasp points with minimal rotation difference between their orientation and the preferred orientation of the TCP are returned first,
- `direction`: objects and grasp points with the shortest distance along a defined direction vector in a given `pose_frame` are returned first.
- `distance_to_point`: objects and grasp points with the shortest or farthest (if `farthest_first` is true) distance from a point in a given `pose_frame` are returned first.

If no sorting strategy is set or default sorting is chosen in the Web GUI, sorting is done based on a combination of `preferred_orientation` and the minimal distance from the camera along the z axis of the preferred orientation of the TCP.

### 6.2.6.7 Detection of objects

For triggering the object detection, in general, the following information must be provided to the `SilhouetteMatch` module:

- The template of the object to be detected in the scene.
- The coordinate frame in which the poses of the detected objects shall be returned (ref. [Hand-eye calibration](#), Section 6.2.6.8).

Optionally, further information can be given to the `SilhouetteMatch` module:

- A flag `object_plane_detection` determining whether the surface plane of the objects should be used for the detection instead of the calibrated base plane.
- An offset, in case the calibrated base plane should be used but the objects are not lying on this plane but on a plane parallel to it. The offset is the distance between both planes given in the direction towards the camera. If omitted, an offset of 0 is assumed. It must not be set if `object_plane_detection` is true.
- The ID of the load carrier which contains the objects to be detected.
- The ID of the region of interest where to search for the load carrier if a load carrier is set. Otherwise, the ID of the region of interest where the objects should be detected. If omitted, objects are matched in the whole image.
- The current robot pose in case the camera is mounted on the robot and the chosen coordinate frame for the poses is `external` or the preferred orientation is given in the external frame.
- Collision detection information: The ID of the gripper to enable collision checking and optionally a pre-grasp offset to define a pre-grasp position. Details on collision checking are given below in [CollisionCheck](#) (Section 6.2.6.8).

In case the `object_plane_detection` flag is not true, objects can only be detected after a successful base-plane calibration. It must be ensured that the position and orientation of the base plane does not change before the detection of objects. Otherwise, the base-plane calibration must be renewed.

When `object_plane_detection` is set to true, a base-plane calibration is not required and an existing base-plane calibration will be ignored. During detection, the scene is clustered into planar surfaces and template matching is performed on each plane whose tilt with respect to the camera's line of sight is less than  $25^\circ$  and whose size is large enough to contain the selected template. When a match is found, its position and orientation are refined using the image edges and the point cloud inside the template's outer contour. For this, it is required that the outer contour of the template is closed and that the object's surface is planar.

On the Web GUI the detection can be tested in the *Try Out* section of the `SilhouetteMatch` page. Different image streams can be selected to show intermediate results and the final matches as shown in [Fig. 6.16](#).

The “**Template**” image stream shows the template to be matched in red with the defined grasp points in green (see [Setting of grasp points](#), Section 6.2.6.4). The template



is warped to the size and tilt matching objects on the calibrated base plane or, in case `object_plane_detection` was used, the highest segmented plane, would have. The corresponding plane is shown in dark blue.

The “**Intermediate Result**” image stream shows the edges of the left image that were used to search for matches in light blue. The chosen region of interest is shown as bold petrol rectangle. A shaded blue area on the left visualizes the region of the left camera image which does not overlap with the right image, and in which no objects can be detected. If `object_plane_detection` was used, this image stream also shows the detected planar clusters in the scene. Clusters that were not used for matching, because they were too small or too tilted, are visualized with a stripe pattern.

The “**Intermediate Result Right**” image stream shows the edges of the right image that were used to search for matches in light blue. The chosen region of interest is shown as bold petrol rectangle. A shaded blue area on the right visualizes the region of the right camera image which does not overlap with the left image, and in which no objects can be detected.

The “**Result**” image shows the detection result. The image edges that were used to refine the match poses are shown in light blue and the matches (`instances`) with the template edges are shown in red. The blue circles are the origins of the detected objects as defined in the template and the green circles are the collision-free grasp points. Colliding grasp points are visualized as red dots and grasp points that were not checked for collisions are drawn in yellow.

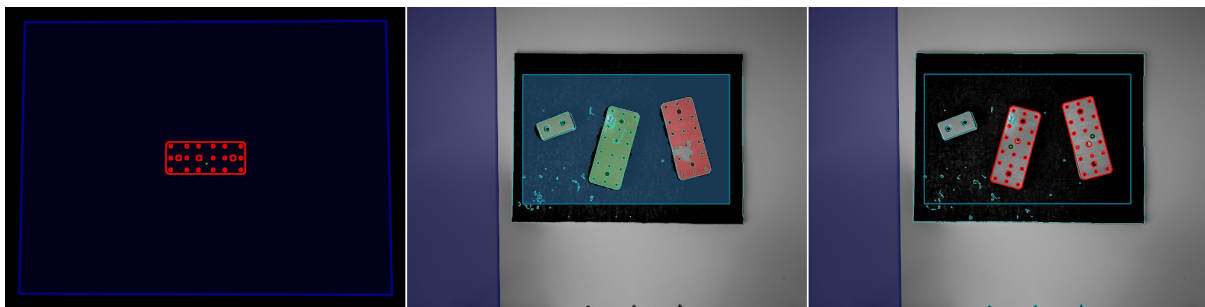


Fig. 6.16: “Template”, “Intermediate Result” and “Result” image streams of the SilhouetteMatch module as shown in the Web GUI for a detection with `object_plane_detection` set to true

The poses of the object origins in the chosen coordinate frame are returned as results in a list of instances. In case the calibrated base plane was used for the detection (`object_plane_detection` not set or false), the orientations of the detected objects are aligned with the normal of the base plane. Otherwise, the orientations of the detected objects are aligned with the normal of a plane fitted to the object points in the 3D point cloud.

If the chosen template also has grasp points attached, a list of grasps for all objects is returned in addition to the list of detected objects. The grasp poses are given in the desired coordinate frame and the grasps are sorted according to the selected sorting strategy (see [Setting the sorting strategies](#), Section 6.2.6.6). There are references between the detected object instances and the grasps via their `uids`.

In case the templates have a continuous rotational symmetry (e.g. cylindrical objects), all returned object poses will have the same orientation. Furthermore, all grasps symmetric to each grasp point on an object are checked for reachability and collisions, and only the best one according to the given sorting strategy is returned.

For objects with a discrete symmetry (e.g. prismatic objects), all collision-free symmetries of each grasp point which are reachable according to the given preferred TCP orientation are returned, ordered by the given sorting strategy.

The detection results and run times are affected by several run-time parameters which are listed and explained further down. Improper parameters can lead to timeouts of the SilhouetteMatch module’s

detection process.

### 6.2.6.8 Interaction with other modules

Internally, the SilhouetteMatch module depends on, and interacts with other on-board modules as listed below.

**Note:** All changes and configuration updates to these modules will affect the performance of the SilhouetteMatch module.

### Stereo camera and stereo matching

The SilhouetteMatch module makes internally use of the rectified images from the [Camera](#) module (`rc_camera`, Section 6.1.1). Thus, the exposure time should be set properly to achieve the optimal performance of the module.

For base-plane calibration in stereo mode, for load carrier detection, for automatic object plane detection and for collision checking with the point cloud, the disparity images from the [Stereo matching](#) module (`rc_stereomatching`, Section 6.1.2) are used.

For detecting objects with a calibrated base plane, without load carrier and without collision checking with the point cloud, the stereo-matching module should not be run in parallel to the SilhouetteMatch module, because the detection runtime increases.

For best results it is recommended to enable [smoothing](#) (Section 6.1.2.5) for [Stereo matching](#).

### IO and Projector Control

In case the `rc_visard NG` is used in conjunction with an external random dot projector and the [IO and Projector Control](#) module (`rc_iocontrol`, Section 6.3.4), the projector should be used for the stereo-based base-plane calibration, for automatic object plane detection and for collision checking with the point cloud.

The projected pattern must not be visible in the left and right camera images during object detection as it interferes with the matching process. Therefore, it is recommended to connect the projector to GPIO Out 1 and set the stereo-camera module's acquisition mode to `SingleFrameOut1` (see [Stereo matching parameters](#), Section 6.1.2.5), so that on each image acquisition trigger an image with and without projector pattern is acquired.

Alternatively, the output mode for the GPIO output in use should be set to `ExposureAlternateActive` (see [Description of run-time parameters](#), Section 6.3.4.1).

In either case, the *Auto Exposure Mode* `exp_auto_mode` should be set to `AdaptiveOut1` to optimize the exposure of both images (see [Stereo camera parameters](#), Section 6.1.1.3).

### Hand-eye calibration

In case the camera has been calibrated to a robot, the SilhouetteMatch module can automatically provide poses in the robot coordinate frame. For the SilhouetteMatch node's [Services](#) (Section 6.2.6.11), the frame of the input and output poses and plane coordinates can be controlled with the `pose_frame` argument.

Two different `pose_frame` values can be chosen:

1. **Camera frame** (`camera`). All poses and plane coordinates provided to and by the module are in the camera frame.

2. **External frame** (`external`). All poses and plane coordinates provided to and by the module are in the external frame, configured by the user during the hand-eye calibration process. The module relies on the on-board [Hand-eye calibration module](#) (Section 6.3.1) to retrieve the camera mounting (static or robot mounted) and the hand-eye transformation. If the sensor mounting is static, no further information is needed. If the sensor is robot-mounted, the `robot_pose` is required to transform poses to and from the `external` frame.

All `pose_frame` values that are not `camera` or `external` are rejected.

**Note:** If no hand-eye calibration is available, all `pose_frame` values should be set to `camera`.

**Note:** If the hand-eye calibration has changed after base-plane calibration, the base-plane calibration will be marked as invalid and must be renewed.

If the sensor is robot-mounted, the current `robot_pose` has to be provided depending on the value of `pose_frame`, the definition of the preferred TCP orientation and the sorting direction or sorting point:

- If `pose_frame` is set to `external`, providing the robot pose is obligatory.
- If the preferred TCP orientation is defined in `external`, providing the robot pose is obligatory.
- If the sorting direction is defined in `external`, providing the robot pose is obligatory.
- If the distance-to-point sorting strategy is defined in `external`, providing the robot pose is obligatory.
- In all other cases, providing the robot pose is optional.

If the current robot pose is provided during calibration, it is stored persistently on the `rc_visard NG`. If the updated robot pose is later provided during `get_base_plane_calibration` or `detect_object` as well, the base-plane calibration will be transformed automatically to this new robot pose. This enables the user to change the robot pose (and thus camera position) between base-plane calibration and object detection.

**Note:** Object detection can only be performed if the limit of 10 degrees angle offset between the base plane normal and the camera's line of sight is not exceeded.

## LoadCarrier

The `SilhouetteMatch` module uses the load carrier detection functionality provided by the [LoadCarrier](#) module (`rc_load_carrier`, Section 6.2.2), with the run-time parameters specified for this module. However, only one load carrier will be returned and used in case multiple matching load carriers could be found in the scene. In case multiple load carriers of the same type are visible, a region of interest should be set to ensure that always the same load carrier is used for the `SilhouetteMatch` module.

## CollisionCheck

Collision checking can be easily enabled for grasp computation of the `SilhouetteMatch` module by passing a `collision_detection` argument to the `detect_object` service call. It contains the ID of the used gripper and optionally a pre-grasp offset. The gripper has to be defined in the `GripperDB` module (see [Setting a gripper](#), Section 6.4.3.2) and details about collision checking are given in [Collision checking within other modules](#) (Section 6.3.2.2).

Alternatively, grasp points can be assigned individual gripper IDs, and collision checking can be enabled for all grasp points with gripper IDs by enabling the run-time parameter `check_collisions`.

In addition to collision checking between the gripper and the detected load carrier, collisions between the gripper and the calibrated base plane will be checked, if the run-time parameter



`check_collisions_with_base_plane` is true. If the selected `SilhouetteMatch` template contains a collision model and the run-time parameter `check_collisions_with_matches` is true, also collisions between the gripper and all other detected objects (not limited to `max_number_of_detected_objects`) will be checked. The object on which the grasp point to be checked is located, is excluded from the collision check.

If the run-time parameter `check_collisions_with_point_cloud` is true, also collisions between the gripper and a watertight version of the point cloud are checked. If this feature is used with suction grippers, it should be ensured that the TCP is defined to be outside the gripper geometry, or that the grasp points are defined above the object surface. Otherwise every grasp will result in a collision between the gripper and the point cloud.

If the run-time parameter `check_collisions_during_retraction` is true and a load carrier and a pre-grasp offset are given, each grasp point will be checked for collisions between the object in the gripper and the load carrier walls during retraction. This collision check is performed along the full linear trajectory from the grasp point back to the pre-grasp position.

If collision checking is enabled, only grasps which are collision free or could not be checked for collisions (e.g. because no gripper was given) will be returned. The visualization images on the `SilhouetteMatch` page of the Web GUI shows collision-free grasps in green, unchecked grasps in yellow and colliding grasp points in red. The detected objects which are considered in the collision check are also visualized with their edges in red.

The `CollisionCheck` module's run-time parameters affect the collision detection as described in [CollisionCheck Parameters](#) (Section 6.3.2.3).

#### 6.2.6.9 Parameters

The `SilhouetteMatch` software module is called `rc_silhouettematch` in the REST-API and is represented in the [Web GUI](#) (Section 7.1) under *Modules* → *SilhouetteMatch*. The user can explore and configure the `rc_silhouettematch` module's run-time parameters, e.g. for development and testing, using the Web GUI or the [REST-API interface](#) (Section 7.3).

#### Parameter overview

This module offers the following run-time parameters:

Table 6.28: The rc\_silhouettematch module's run-time parameters

Name	Type	Min	Max	Default	Description
check_collisions	bool	false	true	false	Whether to check for collisions when a gripper is defined for a grasp
check_collisions_during_retraction	bool	false	true	false	Whether to check for collisions between the object in the gripper and the load carrier during retraction
check_collisions_with_base_plane	bool	false	true	true	Whether to check for collisions between gripper and base plane
check_collisions_with_matches	bool	false	true	true	Whether to check for collisions between gripper and detected matches
check_collisions_with_point_cloud	bool	false	true	false	Whether to check for collisions between gripper and the point cloud
edge_sensitivity	float64	0.1	1.0	0.7	Sensitivity of the edge detector
match_max_distance	float64	0.1	10.0	3.0	Maximum allowed distance in pixels between the template and the detected edges in the image
match_percentile	float64	0.7	1.0	0.8	Percentage of template pixels that must be within the maximum distance to successfully match the template
max_number_of_detected_objects	int32	1	20	10	Maximum number of detected objects
only_highest_priority_grasps	bool	false	true	false	Whether to return only the highest priority level grasps
point_cloud_enhancement	string	-	-	Off	Type of enhancement of the point cloud using the base plane: [Off, ReplaceBright]
quality	string	-	-	High	Quality: [Low, Medium, High]

### Description of run-time parameters

Each run-time parameter is represented by a row on the Web GUI's SilhouetteMatch page. The name in the Web GUI is given in brackets behind the parameter name and the parameters are listed in the order they appear in the Web GUI:

### max\_number\_of\_detected\_objects (*Maximum Object Number*)

This parameter gives the maximum number of objects to detect in the scene. If more than the given number of objects can be detected in the scene, only the objects matching best to the given sorting strategy are returned.

Via the REST-API, this parameter can be set as follows.

#### API version 2

```
PUT http://<host>/api/v2/pipelines/0/nodes/rc_silhouettematch/parameters/parameters?
↳max_number_of_detected_objects=<value>
```

#### API version 1 (deprecated)

```
PUT http://<host>/api/v1/nodes/rc_silhouettematch/parameters?max_number_of_detected_
↳objects=<value>
```

### quality (*Quality*)

Object detection can be performed on images with different resolutions: High (full image resolution), Medium (half image resolution) and Low (quarter image resolution). The lower the resolution, the lower the detection time, but the fewer details of the objects are visible.

Via the REST-API, this parameter can be set as follows.

#### API version 2

```
PUT http://<host>/api/v2/pipelines/0/nodes/rc_silhouettematch/parameters/parameters?
↳quality=<value>
```

#### API version 1 (deprecated)

```
PUT http://<host>/api/v1/nodes/rc_silhouettematch/parameters?quality=<value>
```

### match\_max\_distance (*Maximum Matching Distance*)

This parameter gives the maximum allowed pixel distance of an image edge pixel from the object edge pixel in the template to be still considered as matching. If the object is not perfectly represented in the template, it might not be detected when this parameter is low. High values, however, might lead to false detections in case of a cluttered scene or the presence of similar objects, and also increase runtime.

Via the REST-API, this parameter can be set as follows.

#### API version 2

```
PUT http://<host>/api/v2/pipelines/0/nodes/rc_silhouettematch/parameters/parameters?
↳match_max_distance=<value>
```

#### API version 1 (deprecated)

```
PUT http://<host>/api/v1/nodes/rc_silhouettematch/parameters?match_max_distance=<value>
```

### match\_percentile (*Matching Percentile*)

This parameter indicates how strict the matching process should be. The matching percentile is the ratio of template pixels that must be within the Maximum Matching

Distance to successfully match the template. The higher this number, the more accurate the match must be to be considered as valid.

Via the REST-API, this parameter can be set as follows.

#### API version 2

```
PUT http://<host>/api/v2/pipelines/0/nodes/rc_silhouettematch/parameters/parameters?
↔match_percentile=<value>
```

#### API version 1 (deprecated)

```
PUT http://<host>/api/v1/nodes/rc_silhouettematch/parameters?match_percentile=<value>
```

### edge\_sensitivity (*Edge Sensitivity*)

This parameter influences how many edges are detected in the left and right camera images. The higher this number, the more edges are found in the intensity images. That means, for lower numbers, only the most significant edges are considered for template matching. A large number of edges in the image might increase the detection time. It must be ensured that the edges of the objects to be detected are detected in both, the left and the right camera images.

Via the REST-API, this parameter can be set as follows.

#### API version 2

```
PUT http://<host>/api/v2/pipelines/0/nodes/rc_silhouettematch/parameters/parameters?
↔edge_sensitivity=<value>
```

#### API version 1 (deprecated)

```
PUT http://<host>/api/v1/nodes/rc_silhouettematch/parameters?edge_sensitivity=<value>
```

### only\_highest\_priority\_grasps (*Only Highest Priority Grasps*)

If set to true, only grasps with the highest priority will be returned. If collision checking is enabled, only the collision-free grasps among the group of grasps with the highest priority are returned. This can save computation time and reduce the number of grasps to be parsed on the application side.

Without collision checking, only grasps of highest priority are returned.

#### API version 2

```
PUT http://<host>/api/v2/pipelines/<0,1,2,3>/nodes/rc_silhouettematch/parameters?only_
↔highest_priority_grasps=<value>
```

#### API version 1 (deprecated)

```
PUT http://<host>/api/v1/nodes/rc_silhouettematch/parameters?only_highest_priority_
↔grasps=<value>
```

### check\_collisions (*Check Collisions*)

If this parameter is enabled, collision checking will be performed for all grasps which have a gripper ID assigned, even when no default gripper is given in the detect\_object service call. If a load carrier is used, the collision check will always be performed between the gripper and the load carrier. Collision checking with the

point cloud and other matches is only performed when the corresponding runtime parameters are enabled.

Via the REST-API, this parameter can be set as follows.

#### API version 2

```
PUT http://<host>/api/v2/pipelines/<0,1,2,3>/nodes/rc_silhouettematch/parameters?check_
↔collisions=<value>
```

#### API version 1 (deprecated)

```
PUT http://<host>/api/v1/nodes/rc_silhouettematch/parameters?check_collisions=<value>
```

### check\_collisions\_with\_base\_plane (*Check Collisions with Base Plane*)

This parameter is only used when collision checking is enabled by passing a gripper to the `detect_object` service call or by enabling the `check_collisions` runtime parameter. If `check_collisions_with_base_plane` is set to true, all grasp points will be checked for collisions between the gripper and the calibrated base plane, and only grasp points at which the gripper would not collide with the base plane will be returned.

Via the REST-API, this parameter can be set as follows.

#### API version 2

```
PUT http://<host>/api/v2/pipelines/0/nodes/rc_silhouettematch/parameters/parameters?
↔check_collisions_with_base_plane=<value>
```

#### API version 1 (deprecated)

```
PUT http://<host>/api/v1/nodes/rc_silhouettematch/parameters?check_collisions_with_
↔base_plane=<value>
```

### check\_collisions\_with\_matches (*Check Collisions with Matches*)

This parameter is only used when collision checking is enabled by passing a gripper to the `detect_object` service call or by enabling the `check_collisions` runtime parameter. If `check_collisions_with_matches` is set to true, all grasp points will be checked for collisions between the gripper and all other detected objects (not limited to `max_number_of_detected_objects`), and only grasp points at which the gripper would not collide with any other detected object will be returned.

Via the REST-API, this parameter can be set as follows.

#### API version 2

```
PUT http://<host>/api/v2/pipelines/0/nodes/rc_silhouettematch/parameters/parameters?
↔check_collisions_with_matches=<value>
```

#### API version 1 (deprecated)

```
PUT http://<host>/api/v1/nodes/rc_silhouettematch/parameters?check_collisions_with_
↔matches=<value>
```

### check\_collisions\_with\_point\_cloud (*Check Collisions with Point Cloud*)

This parameter is only used when collision checking is enabled by passing a gripper to the `detect_object` service call or by enabling the `check_collisions` runtime parameter. If `check_collisions_with_point_cloud` set to true, all grasp points will be checked for collisions between the gripper a watertight version of the point cloud, and only grasp points at which the gripper would not collide with this point cloud will be returned.

Via the REST-API, this parameter can be set as follows.

#### API version 2

```
PUT http://<host>/api/v2/pipelines/<0,1,2,3>/nodes/rc_silhouettematch/parameters?check_collisions_with_point_cloud=<value>
```

#### API version 1 (deprecated)

```
PUT http://<host>/api/v1/nodes/rc_silhouettematch/parameters?check_collisions_with_point_cloud=<value>
```

### point\_cloud\_enhancement (*Enhance with Base Plane*)

This parameter is only considered when `check_collisions_with_point_cloud` is true and the object detection was triggered without `object_plane_detection`. By default, `point_cloud_enhancement` is set to `off` (*Off*). If `point_cloud_enhancement` is set to `ReplaceBright` (*Replace Bright Image Pixels*), the calibrated base plane will be used to enhance the point cloud that is used for collision checking. For this, the depth values of all bright image pixels inside the image or, if set, the 2D region of interest will be set to the depth of the calibrated base plane. This parameter should be used when dark objects are placed on an untextured bright background, e.g. on a light table.

Via the REST-API, this parameter can be set as follows.

#### API version 2

```
PUT http://<host>/api/v2/pipelines/<0,1,2,3>/nodes/rc_silhouettematch/parameters?point_cloud_enhancement=<value>
```

#### API version 1 (deprecated)

```
PUT http://<host>/api/v1/nodes/rc_silhouettematch/parameters?point_cloud_enhancement=<value>
```

### check\_collisions\_during\_retraction (*Check Collisions during Retraction*)

This parameter is only used when collision checking is enabled by passing a gripper to the `detect_object` service call or by enabling the `check_collisions` runtime parameter. When `check_collisions_during_retraction` is enabled and a load carrier and a pre-grasp offset are given, each grasp point will be checked for collisions between the object in the gripper and the load carrier walls during retraction. This collision checking is performed along the full linear trajectory from the grasp point back to the pre-grasp position. Only collision-free grasp points will be returned.

Via the REST-API, this parameter can be set as follows.

#### API version 2

```
PUT http://<host>/api/v2/pipelines/<0,1,2,3>/nodes/rc_silhouettematch/parameters?check_
↔collisions_during_retraction=<value>
```

**API version 1 (deprecated)**

```
PUT http://<host>/api/v1/nodes/rc_silhouettematch/parameters?check_collisions_during_
↔retraction=<value>
```

**6.2.6.10 Status values**

This module reports the following status values:

Table 6.29: The rc\_silhouettematch module's status values

Name	Description
data_acquisition_time	Time in seconds required by the last active service to acquire images
last_timestamp_processed	The timestamp of the last processed dataset
load_carrier_detection_time	Processing time of the last load carrier detection in seconds
processing_time	Processing time of the last detection (including load carrier detection) in seconds

**6.2.6.11 Services**

The user can explore and call the rc\_silhouettematch module's services, e.g. for development and testing, using the *REST-API interface* (Section 7.3) or the rc\_visard NG *Web GUI* (Section 7.1).

The SilhouetteMatch module offers the following services.

**detect\_object**

Triggers an object detection as described in *Detection of objects* (Section 6.2.6.7) and returns the pose of all found object instances.

**Details**

All images used by the service are guaranteed to be newer than the service trigger time.

This service can be called as follows.

**API version 2**

```
PUT http://<host>/api/v2/pipelines/0/nodes/rc_silhouettematch/services/detect_object
```

**API version 1 (deprecated)**

```
PUT http://<host>/api/v1/nodes/rc_silhouettematch/services/detect_object
```

**Request**

Required arguments:

object\_id in object\_to\_detect: ID of the template which should be detected.

pose\_frame: see *Hand-eye calibration* (Section 6.2.6.8).

Potentially required arguments:

robot\_pose: see *Hand-eye calibration* (Section 6.2.6.8).

Optional arguments:

`object_plane_detection`: false if the objects are placed on a calibrated base plane, true if the objects' surfaces are planar and the base plane is unknown or the objects are located on multiple different planes, e.g. stacks.

`offset`: offset in meters by which the base-plane calibration will be shifted towards the camera.

`load_carrier_id`: ID of the load carrier which contains the items to be detected.

`collision_detection`: see [Collision checking within other modules](#) (Section 6.3.2.2).

The definition for the request arguments with corresponding datatypes is:

```
{
  "args": {
    "collision_detection": {
      "gripper_id": "string",
      "pre_grasp_offset": {
        "x": "float64",
        "y": "float64",
        "z": "float64"
      }
    },
    "load_carrier_id": "string",
    "object_plane_detection": "bool",
    "object_to_detect": {
      "object_id": "string",
      "region_of_interest_2d_id": "string"
    },
    "offset": "float64",
    "pose_frame": "string",
    "robot_pose": {
      "orientation": {
        "w": "float64",
        "x": "float64",
        "y": "float64",
        "z": "float64"
      },
      "position": {
        "x": "float64",
        "y": "float64",
        "z": "float64"
      }
    }
  }
}
```

## Response

The maximum number of returned instances can be controlled with the `max_number_of_detected_objects` parameter.

`object_id`: ID of the detected template.

`instances`: list of detected object instances, ordered according to the chosen sorting strategy.

`grasps`: list of grasps on the detected objects, ordered according to the chosen sorting strategy. The `instance_uuid` gives the reference to the detected object in `instances` this grasp belongs to. The list of returned grasps will be trimmed to the 100 best grasps if more reachable grasps are found. Each grasp contains a flag `collision_checked` and a `gripper_id` (see [Collision checking within other modules](#), Section 6.3.2.2).

`load_carriers`: list of detected load carriers.



timestamp: timestamp of the image set the detection ran on.

return\_code: holds possible warnings or error codes and messages.

The definition for the response with corresponding datatypes is:

```
{
  "name": "detect_object",
  "response": {
    "grasps": [
      {
        "collision_checked": "bool",
        "gripper_id": "string",
        "id": "string",
        "instance_uuid": "string",
        "pose": {
          "orientation": {
            "w": "float64",
            "x": "float64",
            "y": "float64",
            "z": "float64"
          },
          "position": {
            "x": "float64",
            "y": "float64",
            "z": "float64"
          }
        },
        "pose_frame": "string",
        "priority": "int8",
        "timestamp": {
          "nsec": "int32",
          "sec": "int32"
        },
        "uuid": "string"
      }
    ],
    "instances": [
      {
        "grasp_uuids": [
          "string"
        ],
        "id": "string",
        "object_id": "string",
        "pose": {
          "orientation": {
            "w": "float64",
            "x": "float64",
            "y": "float64",
            "z": "float64"
          },
          "position": {
            "x": "float64",
            "y": "float64",
            "z": "float64"
          }
        },
        "pose_frame": "string",
        "timestamp": {
          "nsec": "int32",
          "sec": "int32"
        },
        "uuid": "string"
      }
    ]
  }
}
```

(continues on next page)

(continued from previous page)

```

    }
  ],
  "load_carriers": [
    {
      "height_open_side": "float64",
      "id": "string",
      "inner_dimensions": {
        "x": "float64",
        "y": "float64",
        "z": "float64"
      },
      "outer_dimensions": {
        "x": "float64",
        "y": "float64",
        "z": "float64"
      },
      "overfilled": "bool",
      "pose": {
        "orientation": {
          "w": "float64",
          "x": "float64",
          "y": "float64",
          "z": "float64"
        },
        "position": {
          "x": "float64",
          "y": "float64",
          "z": "float64"
        }
      },
      "pose_frame": "string",
      "rim_ledge": {
        "x": "float64",
        "y": "float64"
      },
      "rim_step_height": "float64",
      "rim_thickness": {
        "x": "float64",
        "y": "float64"
      },
      "type": "string"
    }
  ],
  "object_id": "string",
  "return_code": {
    "message": "string",
    "value": "int16"
  },
  "timestamp": {
    "nsec": "int32",
    "sec": "int32"
  }
}

```

**calibrate\_base\_plane**

Triggers the calibration of the base plane, as described in *Base-plane calibration* (Section 6.2.6.2).

### Details

A successful base-plane calibration is stored persistently on the *rc\_visard NG* and returned by this service. The base-plane calibration is persistent over firmware updates and rollbacks.

All images used by the service are guaranteed to be newer than the service trigger time.

This service can be called as follows.

### API version 2

```
PUT http://<host>/api/v2/pipelines/0/nodes/rc_silhouettematch/services/calibrate_base_
↔plane
```

### API version 1 (deprecated)

```
PUT http://<host>/api/v1/nodes/rc_silhouettematch/services/calibrate_base_plane
```

### Request

Required arguments:

`plane_estimation_method`: method to use for base-plane calibration. Valid values are STEREO, APRILTAG, MANUAL.

`pose_frame`: see [Hand-eye calibration](#) (Section 6.2.6.8).

Potentially required arguments:

`plane` if `plane_estimation_method` is MANUAL: plane that will be set as base-plane calibration.

`robot_pose`: see [Hand-eye calibration](#) (Section 6.2.6.8).

`region_of_interest_2d_id`: ID of the region of interest for base-plane calibration.

Optional arguments:

`offset`: offset in meters by which the estimated plane will be shifted towards the camera.

`plane_preference_in_stereo`: whether the plane closest to or farthest from the camera should be used as base plane. This option can be set only if `plane_estimation_method` is STEREO. Valid values are CLOSEST and FARTHEST. If not set, the default is FARTHEST.

The definition for the request arguments with corresponding datatypes is:

```
{
  "args": {
    "offset": "float64",
    "plane": {
      "distance": "float64",
      "normal": {
        "x": "float64",
        "y": "float64",
        "z": "float64"
      }
    }
  },
  "plane_estimation_method": "string",
  "pose_frame": "string",
  "region_of_interest_2d_id": "string",
  "robot_pose": {
    "orientation": {
      "w": "float64",
      "x": "float64",
      "y": "float64",

```

(continues on next page)

(continued from previous page)

```

    "z": "float64"
  },
  "position": {
    "x": "float64",
    "y": "float64",
    "z": "float64"
  }
},
"stereo": {
  "plane_preference": "string"
}
}
}

```

**Response**

plane: calibrated base plane.

timestamp: timestamp of the image set the calibration ran on.

return\_code: holds possible warnings or error codes and messages.

The definition for the response with corresponding datatypes is:

```

{
  "name": "calibrate_base_plane",
  "response": {
    "plane": {
      "distance": "float64",
      "normal": {
        "x": "float64",
        "y": "float64",
        "z": "float64"
      },
      "pose_frame": "string"
    },
    "return_code": {
      "message": "string",
      "value": "int16"
    },
    "timestamp": {
      "nsec": "int32",
      "sec": "int32"
    }
  }
}

```

**get\_base\_plane\_calibration**

Returns the configured base-plane calibration.

**Details**

This service can be called as follows.

**API version 2**

```

PUT http://<host>/api/v2/pipelines/0/nodes/rc_silhouettematch/services/get_base_plane_
↔calibration

```

**API version 1 (deprecated)**

```
PUT http://<host>/api/v1/nodes/rc_silhouettematch/services/get_base_plane_calibration
```

### Request

Required arguments:

pose\_frame: see [Hand-eye calibration](#) (Section 6.2.6.8).

Potentially required arguments:

robot\_pose: see [Hand-eye calibration](#) (Section 6.2.6.8).

The definition for the request arguments with corresponding datatypes is:

```
{
  "args": {
    "pose_frame": "string",
    "robot_pose": {
      "orientation": {
        "w": "float64",
        "x": "float64",
        "y": "float64",
        "z": "float64"
      },
      "position": {
        "x": "float64",
        "y": "float64",
        "z": "float64"
      }
    }
  }
}
```

### Response

The definition for the response with corresponding datatypes is:

```
{
  "name": "get_base_plane_calibration",
  "response": {
    "plane": {
      "distance": "float64",
      "normal": {
        "x": "float64",
        "y": "float64",
        "z": "float64"
      },
      "pose_frame": "string"
    },
    "return_code": {
      "message": "string",
      "value": "int16"
    }
  }
}
```

### delete\_base\_plane\_calibration

Deletes the configured base-plane calibration.

#### Details

This service can be called as follows.

**API version 2**

```
PUT http://<host>/api/v2/pipelines/0/nodes/rc_silhouettematch/services/delete_base_
↔plane_calibration
```

**API version 1 (deprecated)**

```
PUT http://<host>/api/v1/nodes/rc_silhouettematch/services/delete_base_plane_
↔calibration
```

**Request**

This service has no arguments.

**Response**

The definition for the response with corresponding datatypes is:

```
{
  "name": "delete_base_plane_calibration",
  "response": {
    "return_code": {
      "message": "string",
      "value": "int16"
    }
  }
}
```

**set\_preferred\_orientation**

Persistently stores the preferred orientation of the TCP to compute the reachability of the grasps, which is used for filtering and, optionally, sorting the grasps returned by the detect\_object service (see [Setting the preferred orientation of the TCP](#), Section 6.2.6.5).

**Details**

This service can be called as follows.

**API version 2**

```
PUT http://<host>/api/v2/pipelines/0/nodes/rc_silhouettematch/services/set_preferred_
↔orientation
```

**API version 1 (deprecated)**

```
PUT http://<host>/api/v1/nodes/rc_silhouettematch/services/set_preferred_orientation
```

**Request**

The definition for the request arguments with corresponding datatypes is:

```
{
  "args": {
    "orientation": {
      "w": "float64",
      "x": "float64",
      "y": "float64",
      "z": "float64"
    },
    "pose_frame": "string"
  }
}
```

## Response

The definition for the response with corresponding datatypes is:

```
{
  "name": "set_preferred_orientation",
  "response": {
    "return_code": {
      "message": "string",
      "value": "int16"
    }
  }
}
```

## get\_preferred\_orientation

Returns the preferred orientation of the TCP to compute the reachability of the grasps, which is used for filtering and, optionally, sorting the grasps returned by the detect\_object service (see [Setting the preferred orientation of the TCP](#), Section 6.2.6.5).

### Details

This service can be called as follows.

#### API version 2

```
PUT http://<host>/api/v2/pipelines/0/nodes/rc_silhouettematch/services/get_preferred_
↔orientation
```

#### API version 1 (deprecated)

```
PUT http://<host>/api/v1/nodes/rc_silhouettematch/services/get_preferred_orientation
```

### Request

This service has no arguments.

### Response

The definition for the response with corresponding datatypes is:

```
{
  "name": "get_preferred_orientation",
  "response": {
    "orientation": {
      "w": "float64",
      "x": "float64",
      "y": "float64",
      "z": "float64"
    },
    "pose_frame": "string",
    "return_code": {
      "message": "string",
      "value": "int16"
    }
  }
}
```

## set\_sorting\_strategies

Persistently stores the sorting strategy for sorting the grasps and detected objects returned by the detect\_object service (see [Detection of objects](#), Section 6.2.6.7).

### Details

This service can be called as follows.

#### API version 2

```
PUT http://<host>/api/v2/pipelines/0/nodes/rc_silhouettematch/services/set_sorting_
↔strategies
```

#### API version 1 (deprecated)

```
PUT http://<host>/api/v1/nodes/rc_silhouettematch/services/set_sorting_strategies
```

### Request

Only one strategy may have a weight greater than 0. If all weight values are set to 0, the module will use the default sorting strategy.

If the weight for direction is set, the vector must contain the direction vector and pose\_frame must be either camera or external.

If the weight for distance\_to\_point is set, point must contain the sorting point and pose\_frame must be either camera or external.

The definition for the request arguments with corresponding datatypes is:

```
{
  "args": {
    "direction": {
      "pose_frame": "string",
      "vector": {
        "x": "float64",
        "y": "float64",
        "z": "float64"
      },
      "weight": "float64"
    },
    "distance_to_point": {
      "farthest_first": "bool",
      "point": {
        "x": "float64",
        "y": "float64",
        "z": "float64"
      },
      "pose_frame": "string",
      "weight": "float64"
    },
    "preferred_orientation": {
      "weight": "float64"
    }
  }
}
```

### Response

The definition for the response with corresponding datatypes is:

```
{
  "name": "set_sorting_strategies",
  "response": {
    "return_code": {
      "message": "string",
      "value": "int16"
    }
  }
}
```

(continues on next page)



(continued from previous page)

```
}
}
```

**get\_sorting\_strategies**

Returns the sorting strategy for sorting the grasps and detected objects returned by the detect\_object service (see *Detection of objects*, Section 6.2.6.7).

**Details**

This service can be called as follows.

**API version 2**

```
PUT http://<host>/api/v2/pipelines/0/nodes/rc_silhouettematch/services/get_sorting_
↳strategies
```

**API version 1 (deprecated)**

```
PUT http://<host>/api/v1/nodes/rc_silhouettematch/services/get_sorting_strategies
```

**Request**

This service has no arguments.

**Response**

All weight values are 0 when the module uses the default sorting strategy.

The definition for the response with corresponding datatypes is:

```
{
  "name": "get_sorting_strategies",
  "response": {
    "direction": {
      "pose_frame": "string",
      "vector": {
        "x": "float64",
        "y": "float64",
        "z": "float64"
      },
      "weight": "float64"
    },
    "distance_to_point": {
      "farthest_first": "bool",
      "point": {
        "x": "float64",
        "y": "float64",
        "z": "float64"
      },
      "pose_frame": "string",
      "weight": "float64"
    },
    "preferred_orientation": {
      "weight": "float64"
    },
    "return_code": {
      "message": "string",
      "value": "int16"
    }
  }
}
```

### reset\_defaults

Resets all parameters of the module to its default values, as listed in above table. Also resets preferred orientation and sorting strategies. The reset does not apply to templates and base-plane calibration.

#### Details

This service can be called as follows.

#### API version 2

```
PUT http://<host>/api/v2/pipelines/0/nodes/rc_silhouettematch/services/reset_defaults
```

#### API version 1 (deprecated)

```
PUT http://<host>/api/v1/nodes/rc_silhouettematch/services/reset_defaults
```

#### Request

This service has no arguments.

#### Response

The definition for the response with corresponding datatypes is:

```
{
  "name": "reset_defaults",
  "response": {
    "return_code": {
      "message": "string",
      "value": "int16"
    }
  }
}
```

### 6.2.6.12 Internal services

The following services for configuring grasps can change in future without notice. Setting, retrieving and deleting grasps is recommend to be done via the Web GUI.

### set\_grasp

Persistently stores a grasp for the given object template on the *rc\_visard NG*. All configured grasps are persistent over firmware updates and rollbacks.

#### Details

This service can be called as follows.

#### API version 2

```
PUT http://<host>/api/v2/pipelines/0/nodes/rc_silhouettematch/services/set_grasp
```

#### API version 1 (deprecated)

```
PUT http://<host>/api/v1/nodes/rc_silhouettematch/services/set_grasp
```

#### Request

Details for the definition of the grasp type are given in [Setting of grasp points](#) (Section 6.2.6.4).

The definition for the request arguments with corresponding datatypes is:

```
{
  "args": {
    "grasp": {
      "gripper_id": "string",
      "id": "string",
      "pose": {
        "orientation": {
          "w": "float64",
          "x": "float64",
          "y": "float64",
          "z": "float64"
        },
        "position": {
          "x": "float64",
          "y": "float64",
          "z": "float64"
        }
      },
      "priority": "int8",
      "replication": {
        "max_x_deg": "float64",
        "min_x_deg": "float64",
        "origin": {
          "orientation": {
            "w": "float64",
            "x": "float64",
            "y": "float64",
            "z": "float64"
          },
          "position": {
            "x": "float64",
            "y": "float64",
            "z": "float64"
          }
        },
        "step_x_deg": "float64"
      },
      "template_id": "string"
    }
  }
}
```

### Response

The definition for the response with corresponding datatypes is:

```
{
  "name": "set_grasp",
  "response": {
    "return_code": {
      "message": "string",
      "value": "int16"
    }
  }
}
```

### set\_all\_grasps

Replaces the list of grasps for the given object template on the *rc\_visard NG*.

### Details

This service can be called as follows.

#### API version 2

```
PUT http://<host>/api/v2/pipelines/0/nodes/rc_silhouettematch/services/set_all_grasps
```

#### API version 1 (deprecated)

```
PUT http://<host>/api/v1/nodes/rc_silhouettematch/services/set_all_grasps
```

### Request

Details for the definition of the grasp type are given in [Setting of grasp points](#) (Section 6.2.6.4).

The definition for the request arguments with corresponding datatypes is:

```
{
  "args": {
    "grasps": [
      {
        "gripper_id": "string",
        "id": "string",
        "pose": {
          "orientation": {
            "w": "float64",
            "x": "float64",
            "y": "float64",
            "z": "float64"
          },
          "position": {
            "x": "float64",
            "y": "float64",
            "z": "float64"
          }
        },
        "priority": "int8",
        "replication": {
          "max_x_deg": "float64",
          "min_x_deg": "float64",
          "origin": {
            "orientation": {
              "w": "float64",
              "x": "float64",
              "y": "float64",
              "z": "float64"
            },
            "position": {
              "x": "float64",
              "y": "float64",
              "z": "float64"
            }
          },
          "step_x_deg": "float64"
        },
        "template_id": "string"
      }
    ],
    "template_id": "string"
  }
}
```

### Response

The definition for the response with corresponding datatypes is:

```
{
  "name": "set_all_grasps",
  "response": {
    "return_code": {
      "message": "string",
      "value": "int16"
    }
  }
}
```

## get\_grasps

Returns all configured grasps which have the requested grasp\_ids and belong to the requested template\_ids.

### Details

This service can be called as follows.

#### API version 2

```
PUT http://<host>/api/v2/pipelines/0/nodes/rc_silhouettematch/services/get_grasps
```

#### API version 1 (deprecated)

```
PUT http://<host>/api/v1/nodes/rc_silhouettematch/services/get_grasps
```

### Request

If no grasp\_ids are provided, all grasps belonging to the requested template\_ids are returned. If no template\_ids are provided, all grasps with the requested grasp\_ids are returned. If neither IDs are provided, all configured grasps are returned.

The definition for the request arguments with corresponding datatypes is:

```
{
  "args": {
    "grasp_ids": [
      "string"
    ],
    "template_ids": [
      "string"
    ]
  }
}
```

### Response

The definition for the response with corresponding datatypes is:

```
{
  "name": "get_grasps",
  "response": {
    "grasps": [
      {
        "gripper_id": "string",
        "id": "string",
        "pose": {
          "orientation": {
            "w": "float64",

```

(continues on next page)

(continued from previous page)

```

        "x": "float64",
        "y": "float64",
        "z": "float64"
    },
    "position": {
        "x": "float64",
        "y": "float64",
        "z": "float64"
    }
},
"priority": "int8",
"replication": {
    "max_x_deg": "float64",
    "min_x_deg": "float64",
    "origin": {
        "orientation": {
            "w": "float64",
            "x": "float64",
            "y": "float64",
            "z": "float64"
        },
        "position": {
            "x": "float64",
            "y": "float64",
            "z": "float64"
        }
    },
    "step_x_deg": "float64"
},
"template_id": "string"
}
],
"return_code": {
    "message": "string",
    "value": "int16"
}
}
}

```

### delete\_grasps

Deletes all grasps with the requested `grasp_ids` that belong to the requested `template_ids`.

#### Details

This service can be called as follows.

#### API version 2

```
PUT http://<host>/api/v2/pipelines/0/nodes/rc_silhouettematch/services/delete_grasps
```

#### API version 1 (deprecated)

```
PUT http://<host>/api/v1/nodes/rc_silhouettematch/services/delete_grasps
```

#### Request

If no `grasp_ids` are provided, all grasps belonging to the requested `template_ids` are deleted. The `template_ids` list must not be empty.

The definition for the request arguments with corresponding datatypes is:

```
{
  "args": {
    "grasp_ids": [
      "string"
    ],
    "template_ids": [
      "string"
    ]
  }
}
```

**Response**

The definition for the response with corresponding datatypes is:

```
{
  "name": "delete_grasps",
  "response": {
    "return_code": {
      "message": "string",
      "value": "int16"
    }
  }
}
```

**get\_symmetric\_grasps**

Returns all grasps that are symmetric to the given grasp.

**Details**

This service can be called as follows.

**API version 2**

```
PUT http://<host>/api/v2/pipelines/0/nodes/rc_silhouettematch/services/get_symmetric_
↔grasps
```

**API version 1 (deprecated)**

```
PUT http://<host>/api/v1/nodes/rc_silhouettematch/services/get_symmetric_grasps
```

**Request**

Details for the definition of the grasp type are given in [Setting of grasp points](#) (Section 6.2.6.4).

The definition for the request arguments with corresponding datatypes is:

```
{
  "args": {
    "grasp": {
      "pose": {
        "orientation": {
          "w": "float64",
          "x": "float64",
          "y": "float64",
          "z": "float64"
        },
        "position": {
          "x": "float64",
          "y": "float64"
        }
      }
    }
  }
}
```

(continues on next page)

(continued from previous page)

```

        "z": "float64"
    }
},
"replication": {
    "max_x_deg": "float64",
    "min_x_deg": "float64",
    "origin": {
        "orientation": {
            "w": "float64",
            "x": "float64",
            "y": "float64",
            "z": "float64"
        },
        "position": {
            "x": "float64",
            "y": "float64",
            "z": "float64"
        }
    },
    "step_x_deg": "float64"
},
"template_id": "string"
}
}
}
}

```

### Response

The first grasp in the returned list is the one that was passed with the service call. If the object template does not have an exact symmetry, only the grasp passed with the service call will be returned. If the object template has a continuous symmetry (e.g. a cylindrical object), only 12 equally spaced sample grasps will be returned.

Details for the definition of the grasp type are given in [Setting of grasp points](#) (Section 6.2.6.4).

The definition for the response with corresponding datatypes is:

```

{
  "name": "get_symmetric_grasps",
  "response": {
    "grasps": [
      {
        "pose": {
          "orientation": {
            "w": "float64",
            "x": "float64",
            "y": "float64",
            "z": "float64"
          },
          "position": {
            "x": "float64",
            "y": "float64",
            "z": "float64"
          }
        },
        "replication": {
          "max_x_deg": "float64",
          "min_x_deg": "float64",
          "origin": {
            "orientation": {
              "w": "float64",

```

(continues on next page)



(continued from previous page)

```
        "x": "float64",
        "y": "float64",
        "z": "float64"
    },
    "position": {
        "x": "float64",
        "y": "float64",
        "z": "float64"
    }
},
"step_x_deg": "float64"
},
"template_id": "string"
}
],
"return_code": {
    "message": "string",
    "value": "int16"
}
}
```

#### 6.2.6.13 Return codes

Each service response contains a `return_code`, which consists of a value plus an optional message. A successful service returns with a `return_code` value of 0. Negative `return_code` values indicate that the service failed. Positive `return_code` values indicate that the service succeeded with additional information.

Table 6.30: Return codes of the SilhouetteMatch module services

Code	Description
0	Success
-1	An invalid argument was provided.
-3	An internal timeout occurred, e.g. during object detection.
-4	Data acquisition took longer than allowed.
-7	Data could not be read or written to persistent storage.
-8	Module is not in a state in which this service can be called. E.g. detect_object cannot be called if there is no base-plane calibration.
-10	New element could not be added as the maximum storage capacity of regions of interest or templates has been exceeded.
-100	An internal error occurred.
-101	Detection of the base plane failed.
-102	The hand-eye calibration changed since the last base-plane calibration.
-104	Offset between the base plane normal and the camera's line of sight exceeds 10 degrees.
10	The maximum storage capacity of regions of interest or templates has been reached.
11	An existing element was overwritten.
100	The requested load carrier was not detected in the scene.
101	None of the detected grasps is reachable.
102	The detected load carrier is empty.
103	All detected grasps are in collision.
107	The base plane was not transformed to the current camera pose, e.g. because no robot pose was provided during base-plane calibration.
108	The template is deprecated.
109	The plane for object detection does not fit to the load carrier, e.g. objects are below the load carrier floor.
111	The detection result's pose could not be refined with the point cloud because the template's outer contour is not closed.
113	No gripper was found for collision checking.
114	Collision checking during retraction was skipped, e.g. because no load carrier or no pre-grasp offset were given.
151	The object template has a continuous symmetry.
999	Additional hints for application development

### 6.2.6.14 Template API

For template upload, download, listing and removal, special REST-API endpoints are provided. Templates can also be uploaded, downloaded and removed via the Web GUI. The templates include the grasp points, if grasp points have been configured. Up to 50 templates can be stored persistently on the *rc\_visard NG*.

#### GET /templates/rc\_silhouettematch

Get list of all rc\_silhouettematch templates.

#### Template request

```
GET /api/v2/templates/rc_silhouettematch HTTP/1.1
```

#### Template response

```
HTTP/1.1 200 OK
Content-Type: application/json

[
  {
    "id": "string"
```

(continues on next page)

(continued from previous page)

```
}
]
```

**Response Headers**

- **Content-Type** – application/json application/ubjson

**Status Codes**

- **200 OK** – successful operation (*returns array of Template*)
- **404 Not Found** – node not found

**Referenced Data Models**

- *Template* (Section 7.3.3)

**GET /templates/rc\_silhouettematch/{id}**

Get a rc\_silhouettematch template. If the requested content-type is application/octet-stream, the template is returned as file.

**Template request**

```
GET /api/v2/templates/rc_silhouettematch/<id> HTTP/1.1
```

**Template response**

```
HTTP/1.1 200 OK
Content-Type: application/json

{
  "id": "string"
}
```

**Parameters**

- **id** (*string*) – id of the template (*required*)

**Response Headers**

- **Content-Type** – application/json application/ubjson application/octet-stream

**Status Codes**

- **200 OK** – successful operation (*returns Template*)
- **404 Not Found** – node or template not found

**Referenced Data Models**

- *Template* (Section 7.3.3)

**PUT /templates/rc\_silhouettematch/{id}**

Create or update a rc\_silhouettematch template.

**Template request**

```
PUT /api/v2/templates/rc_silhouettematch/<id> HTTP/1.1
Accept: multipart/form-data application/json
```

**Template response**

```
HTTP/1.1 200 OK
Content-Type: application/json

{
  "id": "string"
}
```

### Parameters

- **id** (*string*) – id of the template (*required*)

### Form Parameters

- **file** – template or dxf file (*required*)
- **object\_height** – object height in meters, required when uploading dxf (*optional*)
- **units** – Units for dxf file if not embedded in dxf (one of mm, cm, m, in, ft) (*optional*)

### Request Headers

- **Accept** – multipart/form-data application/json

### Response Headers

- **Content-Type** – application/json application/ubjson

### Status Codes

- **200 OK** – successful operation (*returns Template*)
- **400 Bad Request** – Template is not valid or max number of templates reached
- **403 Forbidden** – forbidden, e.g. because there is no valid license for this module.
- **404 Not Found** – node or template not found
- **413 Request Entity Too Large** – Template too large

### Referenced Data Models

- [Template](#) (Section 7.3.3)

**DELETE** /templates/rc\_silhouettematch/{id}  
Remove a rc\_silhouettematch template.

### Template request

```
DELETE /api/v2/templates/rc_silhouettematch/<id> HTTP/1.1
Accept: application/json application/ubjson
```

### Parameters

- **id** (*string*) – id of the template (*required*)

### Request Headers

- **Accept** – application/json application/ubjson

### Response Headers

- **Content-Type** – application/json application/ubjson

### Status Codes

- **200 OK** – successful operation
- **403 Forbidden** – forbidden, e.g. because there is no valid license for this module.

- [404 Not Found](#) – node or template not found

## 6.2.7 CADMatch

### 6.2.7.1 Introduction

The CADMatch module is an optional module of the *rc\_visard NG* and requires a separate CADMatch *license* (Section 9.7) to be purchased.

This module provides an out-of-the-box perception solution for 3D object detection and grasping. CADMatch targets the detection of 3D objects based on a CAD template for picking with a general gripper. The objects can be located in a bin or placed arbitrarily in the field of view of the camera. However, their approximate poses must be known in advance and specified as pose priors.

For the CADMatch module to work, special object templates are required for each type of object to be detected. Please get in touch with the Roboception support ([Contact](#), Section 12) to order a template for your CAD file.

The CADMatch module offers:

- A dedicated page on the *rc\_visard NG Web GUI* (Section 7.1) for easy setup, configuration, testing, and application tuning.
- A *REST-API interface* (Section 7.3) and a *KUKA Ethernet KRL Interface* (Section 7.4).
- The definition of regions of interest to select relevant volumes in the scene (see *RoiDB*, Section 6.4.2).
- A load carrier detection functionality for bin-picking applications (see *LoadCarrier*, Section 6.2.2), to provide grasps for objects inside a bin only.
- The definition of compartments inside a load carrier to provide grasps for specific volumes of the bin only.
- An interactive 3D visualization for the definition of pose priors in the Web GUI.
- Storing of up to 50 templates.
- The definition of up to 100 grasp points for each template via an interactive visualization in the Web GUI.
- Collision checking between the gripper and the load carrier, other detected objects and/or the point cloud.
- Collision checking between the object in the gripper and the load carrier walls during retraction.
- Support for static and robot-mounted cameras and optional integration with the *Hand-eye calibration* (Section 6.3.1) module, to provide grasps in the user-configured external reference frame.
- Selection of a sorting strategy to sort the detected objects and returned grasps.
- 3D visualization of the detection results with grasp points and gripper animations in the Web GUI.

### 6.2.7.2 Setting of grasp points

The CADMatch module detects 3D objects in a scene based on a CAD template and returns the poses of the object origins. To use CADMatch directly in a robot application, up to 100 grasp points can be defined for each template. A grasp point represents the desired position and orientation of the robot's TCP (Tool Center Point) to grasp an object.

Please consult [Setting of grasp points](#) (Section 6.2.6.4) for further details.

### Setting grasp points in the Web GUI

The *rc\_visard NG* Web GUI provides an intuitive and interactive way of defining grasp points for object templates. In a first step, the object template has to be uploaded to the *rc\_visard NG*. This can be done in the Web GUI in any pipeline under *Modules* → *CADMatch* by clicking on *+ Add a new Template* in the *Templates, Grasps and Pose Priors* section, or in *Database* → *Templates* in the *CADMatch Templates, Grasps and Pose Priors* section. Once the template upload is complete, a dialog with a 3D visualization of the object template is shown for adding or editing grasp points. The same dialog appears when editing an existing template.

More details are given in *Setting grasp points in the Web GUI* (Section 6.2.6.4).

### Setting grasp points via the REST-API

Grasp points can be set via the *REST-API interface* (Section 7.3) using the `set_grasp` or `set_all_grasps` services (see *Internal services*, Section 6.2.7.11).

More details are given in *Setting grasp points via the REST-API* (Section 6.2.6.4).

#### 6.2.7.3 Setting of pose priors

The CADMatch module requires the user to define prior poses of the objects to be detected. The pose priors will be refined to estimate the true poses of the objects. A pose prior represents the approximate position and orientation of the object to be detected. The pose can be defined in the camera or the external coordinate frame, if a hand-eye calibration is available.

Each pose prior consists of an `id` which must be unique within all pose priors for an object template, the `template_id` representing the template the pose prior applies to, the `pose` and the `pose_frame` of the prior. Pose priors can be set via the *REST-API interface* (Section 7.3), or by using the interactive visualization in the Web GUI. The Web GUI allows to interactively position the object in the current point cloud. This can be done in the “Pose Priors” tab during editing a template.

The *rc\_visard NG* can store up to 50 pose priors per template.

#### 6.2.7.4 Setting the preferred orientation of the TCP

The CADMatch module determines the reachability of grasp points based on the *preferred orientation* of the TCP. The preferred orientation can be set via the `set_preferred_orientation` service call or on the *CADMatch* page in the Web GUI. The resulting direction of the TCP's z axis is used to reject grasps which cannot be reached by the gripper. Furthermore, the preferred orientation can be used to sort the reachable grasps by setting the corresponding sorting strategy.

The preferred orientation can be set in the camera coordinate frame or in the external coordinate frame, in case a hand-eye calibration is available. If the preferred orientation is specified in the external coordinate frame and the sensor is robot mounted, the current robot pose has to be given to each object detection call. If no preferred orientation is set, the orientation of the left camera (see *Coordinate frames*) will be used as the preferred orientation of the TCP.

#### 6.2.7.5 Setting the sorting strategies

The objects and grasps returned by the `detect_object` service call are sorted according to a sorting strategy which can be chosen by the user. The following sorting strategies are available and can be set in the *Web GUI* (Section 7.1) or using the `set_sorting_strategies` service call:

- `gravity`: highest matches and grasp points along the gravity direction are returned first,
- `match_score`: matches with the highest match score and grasp points on objects with the highest match score are returned first,

- `preferred_orientation`: matches and grasp points with minimal rotation difference between their orientation and the preferred orientation of the TCP are returned first,
- `direction`: matches and grasp points with the shortest distance along a defined direction vector in a given `pose_frame` are returned first.
- `distance_to_point`: matches and grasp points with the shortest or farthest (if `farthest_first` is true) distance from a point in a given `pose_frame` are returned first.

If no sorting strategy is set or default sorting is chosen in the Web GUI, sorting is done based on a combination of `match_score` and the minimal distance from the camera along the z axis of the preferred orientation of the TCP.

### 6.2.7.6 Detection of objects

The CADMatch module requires an object template for object detection. This template contains information about the 3D shape of the object and prominent edges that can be visible in the camera images. CADMatch also supports partial object templates, which contain only a specific part of the object that can be detected well, e.g., in case of occlusions.

The object detection uses the user-defined pose priors and refines them with the 3D point cloud and edges in the camera image. For this to work, the objects to detect must be visible in both left and right camera images.

For triggering the object detection, in general, the following information can be provided to the CADMatch module:

- The template ID of the object to be detected in the scene
- The IDs of the pose priors which approximately match the poses of the objects to be detected.
- The coordinate frame in which the poses of the detected objects and the grasp points shall be returned (ref. [Hand-eye calibration](#), Section 6.2.7.7).

Optionally, further information can be given to the CADMatch module:

- The ID of the load carrier which contains the items to be detected.
- A compartment inside the load carrier where to detect objects (see [Load carrier compartments](#), Section 6.4.1.3).
- The ID of the 3D region of interest where to search for the load carriers if a load carrier is set. Otherwise, the ID of the 3D region of interest where to search for the objects.
- The current robot pose in case the camera is mounted on the robot and the chosen coordinate frame for the poses is `external`, or the preferred orientation is given in the external frame, or the chosen region of interest is defined in the external frame.
- Collision detection information: The ID of the gripper to enable collision checking and optionally a pre-grasp offset to define a pre-grasp position. Details on collision checking are given below in [CollisionCheck](#) (Section 6.2.7.7).
- Data acquisition mode: The user can choose if a new image dataset is acquired for the detection (default), or if the detection should be performed on the previously used image dataset. This saves data acquisition time, e.g. in case several detections with different templates have to be run on the same image.

On the Web GUI the detection can be tested in the *Try Out* section of the CADMatch module's page.

The detected objects are returned in a list of matches, sorted according to the selected sorting strategy (see [Setting the sorting strategies](#), Section 6.2.7.5). Each detected object includes a `uuid` (Universally Unique Identifier) and the `timestamp` of the oldest image that was used to detect it. The pose of a detected object corresponds to the pose of the origin of the object template used for detection. Furthermore, the matching score is given to indicate the quality of the detection.

If the chosen template also has grasp points attached (see [Setting of grasp points](#), Section 6.2.7.2), a list of grasps for all objects is returned in addition to the list of detected objects. The grasps are sorted according to the selected sorting strategy (see [Setting the sorting strategies](#), Section 6.2.7.5). The grasp poses are given in the desired coordinate frame. There are references between the detected objects and the grasps via their `uuids`.

For objects with a discrete symmetry (e.g. prismatic objects), all collision-free symmetries of each grasp point which are reachable according to the given preferred TCP orientation are returned, ordered by the given sorting strategy.

For objects with a continuous symmetry (e.g. cylindrical objects), all grasps symmetric to each grasp point on an object are checked for reachability and collisions, and only the best one according to the given sorting strategy is returned.

### 6.2.7.7 Interaction with other modules

Internally, the CADMatch module depends on, and interacts with other on-board modules as listed below.

**Note:** All changes and configuration updates to these modules will affect the performance of the CADMatch modules.

### Stereo camera and Stereo matching

The CADMatch module makes internally use of the following data:

- Rectified images from the [Camera](#) module (`rc_camera`, Section 6.1.1);
- Disparity, error, and confidence images from the [Stereo matching](#) module (`rc_stereomatching`, Section 6.1.2).

The `quality` parameter of the stereo matching module must be set to `Medium` or higher (see [Parameters](#), Section 6.1.2.5). We recommend `Full` or `High` quality for using CADMatch.

All processed images are guaranteed to be captured after the module trigger time.

### IO and Projector Control

In case the `rc_visard NG` is used in conjunction with an external random dot projector and the [IO and Projector Control](#) module (`rc_iocontrol`, Section 6.3.4), it is recommended to connect the projector to GPIO Out 1 and set the stereo-camera module's acquisition mode to `SingleFrameOut1` (see [Stereo matching parameters](#), Section 6.1.2.5), so that on each image acquisition trigger an image with and without projector pattern is acquired.

Alternatively, the output mode for the GPIO output in use should be set to `ExposureAlternateActive` (see [Description of run-time parameters](#), Section 6.3.4.1).

In either case, the `Auto Exposure Mode` `exp_auto_mode` should be set to `AdaptiveOut1` to optimize the exposure of both images (see [Stereo camera parameters](#), Section 6.1.1.3).

### Hand-eye calibration

In case the camera has been calibrated to a robot, the CADMatch module can automatically provide poses in the robot coordinate frame. For the CADMatch node's [Services](#) (Section 6.2.7.10), the frame of the output poses can be controlled with the `pose_frame` argument.

Two different `pose_frame` values can be chosen:



1. **Camera frame** (`camera`). All poses provided by the modules are in the camera frame, and no prior knowledge about the pose of the camera in the environment is required. This means that the configured regions of interest and load carriers move with the camera. It is the user's responsibility to update the configured poses if the camera frame moves (e.g. with a robot-mounted camera).
2. **External frame** (`external`). All poses provided by the modules are in the external frame, configured by the user during the hand-eye calibration process. The module relies on the on-board [Hand-eye calibration module](#) (Section 6.3.1) to retrieve the sensor mounting (static or robot mounted) and the hand-eye transformation. If the mounting is static, no further information is needed. If the sensor is robot-mounted, the `robot_pose` is required to transform poses to and from the external frame.

**Note:** If no hand-eye calibration is available, all `pose_frame` values should be set to `camera`.

All `pose_frame` values that are not `camera` or `external` are rejected.

If the sensor is robot-mounted, the current `robot_pose` has to be provided depending on the value of `pose_frame`, the definition of the preferred TCP orientation and the sorting direction or sorting point:

- If `pose_frame` is set to `external`, providing the robot pose is obligatory.
- If the preferred TCP orientation is defined in `external`, providing the robot pose is obligatory.
- If the sorting direction is defined in `external`, providing the robot pose is obligatory.
- If the distance-to-point sorting strategy is defined in `external`, providing the robot pose is obligatory.
- In all other cases, providing the robot pose is optional.

## LoadCarrier

The CADMatch module uses the load carrier detection functionality provided by the [LoadCarrier](#) module (`rc_load_carrier`, Section 6.2.2), with the run-time parameters specified for this module. However, only one load carrier will be returned and used in case multiple matching load carriers could be found in the scene. In case multiple load carriers of the same type are visible, a region of interest should be set to ensure that always the same load carrier is used for the CADMatch module.

## CollisionCheck

Collision checking can be easily enabled for grasp computation of the CADMatch module by passing a `collision_detection` argument to the `detect_object` service call. It contains the ID of the used gripper and optionally a pre-grasp offset. The gripper has to be defined in the GripperDB module (see [Setting a gripper](#), Section 6.4.3.2) and details about collision checking are given in [Collision checking within other modules](#) (Section 6.3.2.2).

Alternatively, grasp points can be assigned individual gripper IDs, and collision checking can be enabled for all grasp points with gripper IDs by enabling the run-time parameter `check_collisions`.

If the selected CADMatch template contains a collision geometry and the run-time parameter `check_collisions_with_matches` is true, also collisions between the gripper and all other detected objects (not limited to `max_matches`) will be checked. The object on which the grasp point to be checked is located, is excluded from the collision check.

If the run-time parameter `check_collisions_with_point_cloud` is true, also collisions between the gripper and a watertight version of the point cloud are checked. If this feature is used with suction grippers, it should be ensured that the TCP is defined to be outside the gripper geometry, or that the grasp points are defined above the object surface. Otherwise every grasp will result in a collision between the gripper and the point cloud.

If the run-time parameter `check_collisions_during_retraction` is true and a load carrier and a pre-grasp offset are given, each grasp point will be checked for collisions between the object in the gripper and the load carrier walls during retraction. This collision check is performed along the full linear trajectory from the grasp point back to the pre-grasp position.

If collision checking is enabled, only grasps which are collision free or could not be checked for collisions (e.g. because no gripper was given) will be returned. The result image on top of the *CADMatch* page of the Web GUI also shows collision-free grasps in green, unchecked grasps in yellow and colliding grasp points in red. The detected objects which are considered in the collision check are also visualized with their edges in red.

The CollisionCheck module's run-time parameters affect the collision detection as described in *CollisionCheck Parameters* (Section 6.3.2.3).

### 6.2.7.8 Parameters

The CADMatch module is called `rc_cadmatch` in the REST-API and is represented in the *Web GUI* (Section 7.1) under *Modules* → *CADMatch*. The user can explore and configure the `rc_cadmatch` module's run-time parameters, e.g. for development and testing, using the Web GUI or the *REST-API interface* (Section 7.3).

#### Parameter overview

This module offers the following run-time parameters:

Table 6.31: The rc\_cadmatch module's run-time parameters

Name	Type	Min	Max	Default	Description
check_collisions	bool	false	true	false	Whether to check for collisions when a gripper is defined for a grasp
check_collisions_during_retraction	bool	false	true	false	Whether to check for collisions between the object in the gripper and the load carrier during retraction
check_collisions_with_matches	bool	false	true	true	Whether to check for collisions between gripper and detected matches
check_collisions_with_point_cloud	bool	false	true	false	Whether to check for collisions between gripper and point cloud
edge_max_distance	float64	0.5	5.0	2.0	Maximum allowed distance in pixels between the template edges and the detected edges in the image
edge_sensitivity	float64	0.05	1.0	0.5	Sensitivity of the edge detector
grasp_filter_orientation_threshold	float64	0.0	180.0	45.0	Maximum allowed orientation change between grasp and preferred orientation in degrees
max_matches	int32	1	30	10	Maximum number of matches
min_score	float64	0.05	1.0	0.3	Minimum score for matches
only_highest_priority_grasps	bool	false	true	false	Whether to return only the highest priority level grasps

### Description of run-time parameters

Each run-time parameter is represented by a row on the Web GUI's *CADMatch* page. The name in the Web GUI is given in brackets behind the parameter name and the parameters are listed in the order they appear in the Web GUI:

#### max\_matches (*Maximum Matches*)

is the maximum number of objects to detect.

Via the REST-API, this parameter can be set as follows.

#### API version 2

```
PUT http://<host>/api/v2/pipelines/<0,1,2,3>/nodes/rc_cadmatch/parameters?max_matches=
↔<value>
```

**API version 1 (deprecated)**

```
PUT http://<host>/api/v1/nodes/rc_cadmatch/parameters?max_matches=<value>
```

**min\_score (Minimum Score)**

is the minimum detection score after refinement. The higher this value, the better 2D edges and 3D point cloud must match the given template.

Via the REST-API, this parameter can be set as follows.

**API version 2**

```
PUT http://<host>/api/v2/pipelines/<0,1,2,3>/nodes/rc_cadmatch/parameters?min_score=
↔<value>
```

**API version 1 (deprecated)**

```
PUT http://<host>/api/v1/nodes/rc_cadmatch/parameters?min_score=<value>
```

**edge\_sensitivity (Edge Sensitivity)**

is the sensitivity of the edge detector. The higher the value of this parameter, the more edges will be used for pose refinement.

Via the REST-API, this parameter can be set as follows.

**API version 2**

```
PUT http://<host>/api/v2/pipelines/<0,1,2,3>/nodes/rc_cadmatch/parameters?edge_
↔sensitivity=<value>
```

**API version 1 (deprecated)**

```
PUT http://<host>/api/v1/nodes/rc_cadmatch/parameters?edge_sensitivity=<value>
```

**edge\_max\_distance (Maximum Edge Distance)**

is the maximum allowed distance in pixels between the template edges and the detected edges in the image during the refinement step.

Via the REST-API, this parameter can be set as follows.

**API version 2**

```
PUT http://<host>/api/v2/pipelines/<0,1,2,3>/nodes/rc_cadmatch/parameters?edge_max_
↔distance=<value>
```

**API version 1 (deprecated)**

```
PUT http://<host>/api/v1/nodes/rc_cadmatch/parameters?edge_max_distance=<value>
```

**grasp\_filter\_orientation\_threshold (Grasp Orientation Threshold)**

is the maximum deviation of the TCP's z axis at the grasp point from the z axis of the TCP's preferred orientation in degrees. Only grasp points which are within this threshold are returned. When set to zero, any deviations are valid.

Via the REST-API, this parameter can be set as follows.

#### API version 2

```
PUT http://<host>/api/v2/pipelines/<0,1,2,3>/nodes/rc_cadmatch/parameters?grasp_filter_
↔orientation_threshold=<value>
```

#### API version 1 (deprecated)

```
PUT http://<host>/api/v1/nodes/rc_cadmatch/parameters?grasp_filter_orientation_
↔threshold=<value>
```

### only\_highest\_priority\_grasps (*Only Highest Priority Grasps*)

If set to true, only grasps with the highest priority will be returned. If collision checking is enabled, only the collision-free grasps among the group of grasps with the highest priority are returned. This can save computation time and reduce the number of grasps to be parsed on the application side.

Without collision checking, only grasps of highest priority are returned.

#### API version 2

```
PUT http://<host>/api/v2/pipelines/<0,1,2,3>/nodes/rc_cadmatch/parameters?only_highest_
↔priority_grasps=<value>
```

#### API version 1 (deprecated)

```
PUT http://<host>/api/v1/nodes/rc_cadmatch/parameters?only_highest_priority_grasps=
↔<value>
```

### check\_collisions (*Check Collisions*)

If this parameter is enabled, collision checking will be performed for all grasps which have a gripper ID assigned, even when no default gripper is given in the detect\_object service call. If a load carrier is used, the collision check will always be performed between the gripper and the load carrier. Collision checking with the point cloud and other matches is only performed when the corresponding runtime parameters are enabled.

Via the REST-API, this parameter can be set as follows.

#### API version 2

```
PUT http://<host>/api/v2/pipelines/<0,1,2,3>/nodes/rc_cadmatch/parameters?check_
↔collisions=<value>
```

#### API version 1 (deprecated)

```
PUT http://<host>/api/v1/nodes/rc_cadmatch/parameters?check_collisions=<value>
```

### check\_collisions\_with\_matches (*Check Collisions with Matches*)

This parameter is only used when collision checking is enabled by passing a gripper to the detect\_object service call or by enabling the check\_collisions runtime parameter. If check\_collisions\_with\_matches is set to true, all grasp points will be checked for collisions between the gripper and all other detected objects

(not limited to `max_matches`), and only grasp points at which the gripper would not collide with any other detected object will be returned.

Via the REST-API, this parameter can be set as follows.

#### API version 2

```
PUT http://<host>/api/v2/pipelines/<0,1,2,3>/nodes/rc_cadmatch/parameters?check_
↔collisions_with_matches=<value>
```

#### API version 1 (deprecated)

```
PUT http://<host>/api/v1/nodes/rc_cadmatch/parameters?check_collisions_with_matches=
↔<value>
```

### `check_collisions_with_point_cloud` (*Check Collisions with Point Cloud*)

This parameter is only used when collision checking is enabled by passing a gripper to the `detect_object` service call or by enabling the `check_collisions` runtime parameter. If `check_collisions_with_point_cloud` is set to true, all grasp points will be checked for collisions between the gripper a watertight version of the point cloud, and only grasp points at which the gripper would not collide with this point cloud will be returned.

Via the REST-API, this parameter can be set as follows.

#### API version 2

```
PUT http://<host>/api/v2/pipelines/<0,1,2,3>/nodes/rc_cadmatch/parameters?check_
↔collisions_with_point_cloud=<value>
```

#### API version 1 (deprecated)

```
PUT http://<host>/api/v1/nodes/rc_cadmatch/parameters?check_collisions_with_point_
↔cloud=<value>
```

### `check_collisions_during_retraction` (*Check Collisions during Retraction*)

This parameter is only used when collision checking is enabled by passing a gripper to the `detect_object` service call or by enabling the `check_collisions` runtime parameter. When `check_collisions_during_retraction` is enabled and a load carrier and a pre-grasp offset are given, each grasp point will be checked for collisions between the object in the gripper and the load carrier walls during retraction. This collision checking is performed along the full linear trajectory from the grasp point back to the pre-grasp position. Only collision-free grasp points will be returned.

Via the REST-API, this parameter can be set as follows.

#### API version 2

```
PUT http://<host>/api/v2/pipelines/<0,1,2,3>/nodes/rc_cadmatch/parameters?check_
↔collisions_during_retraction=<value>
```

#### API version 1 (deprecated)

```
PUT http://<host>/api/v1/nodes/rc_cadmatch/parameters?check_collisions_during_
↔retraction=<value>
```

### 6.2.7.9 Status values

The `rc_cadmatch` module reports the following status values:

Table 6.32: The `rc_cadmatch` module's status values

Name	Description
<code>data_acquisition_time</code>	Time in seconds required by the last active service to acquire images
<code>last_timestamp_processed</code>	The timestamp of the last processed dataset
<code>last_request_timestamp</code>	The timestamp of the last detection request
<code>load_carrier_detection_time</code>	Processing time of the last load carrier detection in seconds
<code>object_detection_time</code>	Processing time of the last last object detection in seconds
<code>processing_time</code>	Processing time of the last detection (including load carrier detection) in seconds
<code>state</code>	The current state of the <code>rc_cadmatch</code> node

The reported `state` can take one of the following values.

Table 6.33: Possible states of the CADMatch module

State name	Description
IDLE	The module is idle.
RUNNING	The module is running and ready for load carrier detection and object detection.
FATAL	A fatal error has occurred.

### 6.2.7.10 Services

The user can explore and call the `rc_cadmatch` module's services, e.g. for development and testing, using the [REST-API interface](#) (Section 7.3) or the `rc_visard NG Web GUI` (Section 7.1).

The CADMatch modules offer the following services.

#### `detect_object`

Triggers the detection of objects as described in [Detection of objects](#) (Section 6.2.7.6) based on an object template.

#### Details

This service can be called as follows.

#### API version 2

```
PUT http://<host>/api/v2/pipelines/0/nodes/rc_cadmatch/services/detect_object
```

#### API version 1 (deprecated)

```
PUT http://<host>/api/v1/nodes/rc_cadmatch/services/detect_object
```

#### Request

Required arguments:

`pose_frame`: see [Hand-eye calibration](#) (Section 6.2.7.7).

`template_id`: the ID of the template to be detected.

`pose_prior_ids`: IDs of the pose priors for the items to be detected.

Potentially required arguments:

robot\_pose: see [Hand-eye calibration](#) (Section 6.2.7.7).

Optional arguments:

load\_carrier\_id: ID of the load carrier which contains the items to be detected.

load\_carrier\_compartment: compartment inside the load carrier where to detect items (see [Load carrier compartments](#), Section 6.4.1.3).

region\_of\_interest\_id: if load\_carrier\_id is set, ID of the 3D region of interest where to search for the load carriers. Otherwise, ID of the 3D region of interest where to search for the objects.

collision\_detection: see [Collision checking within other modules](#) (Section 6.3.2.2).

data\_acquisition\_mode: if set to CAPTURE\_NEW (default), a new image dataset will be used for the detection. If set to USE\_LAST the previous dataset will be used for the detection.

The definition for the request arguments with corresponding datatypes is:

```
{
  "args": {
    "collision_detection": {
      "gripper_id": "string",
      "pre_grasp_offset": {
        "x": "float64",
        "y": "float64",
        "z": "float64"
      }
    },
    "data_acquisition_mode": "string",
    "load_carrier_compartment": {
      "box": {
        "x": "float64",
        "y": "float64",
        "z": "float64"
      },
      "pose": {
        "orientation": {
          "w": "float64",
          "x": "float64",
          "y": "float64",
          "z": "float64"
        },
        "position": {
          "x": "float64",
          "y": "float64",
          "z": "float64"
        }
      }
    },
    "load_carrier_id": "string",
    "pose_frame": "string",
    "pose_prior_ids": [
      "string"
    ],
    "region_of_interest_id": "string",
    "robot_pose": {
      "orientation": {
        "w": "float64",
        "x": "float64",
        "y": "float64",

```

(continues on next page)



(continued from previous page)

```

    "z": "float64"
  },
  "position": {
    "x": "float64",
    "y": "float64",
    "z": "float64"
  }
},
"template_id": "string"
}
}

```

### Response

**grasps:** list of grasps on the detected objects, ordered according to the chosen sorting strategy. The `match_uid` gives the reference to the detected object in matches this grasp belongs to. The list of returned grasps will be trimmed to the 100 best grasps if more reachable grasps are found. Each grasp contains a flag `collision_checked` and a `gripper_id` (see [Collision checking within other modules](#), Section 6.3.2.2).

**load\_carriers:** list of detected load carriers.

**matches:** list of detected objects matching the template. The matches are ordered according to the chosen sorting strategy. The score indicates how well the object matches the template. The `grasp_uids` refer to the grasps in grasps which are reachable on this object.

**timestamp:** timestamp of the image set the detection ran on.

**return\_code:** holds possible warnings or error codes and messages.

The definition for the response with corresponding datatypes is:

```

{
  "name": "detect_object",
  "response": {
    "grasps": [
      {
        "collision_checked": "bool",
        "gripper_id": "string",
        "id": "string",
        "match_uid": "string",
        "pose": {
          "orientation": {
            "w": "float64",
            "x": "float64",
            "y": "float64",
            "z": "float64"
          },
          "position": {
            "x": "float64",
            "y": "float64",
            "z": "float64"
          }
        },
        "pose_frame": "string",
        "priority": "int8",
        "timestamp": {
          "nsec": "int32",
          "sec": "int32"
        },
        "uid": "string"
      }
    ],
  }
}

```

(continues on next page)

(continued from previous page)

```
"load_carriers": [
  {
    "height_open_side": "float64",
    "id": "string",
    "inner_dimensions": {
      "x": "float64",
      "y": "float64",
      "z": "float64"
    },
    "outer_dimensions": {
      "x": "float64",
      "y": "float64",
      "z": "float64"
    },
    "overfilled": "bool",
    "pose": {
      "orientation": {
        "w": "float64",
        "x": "float64",
        "y": "float64",
        "z": "float64"
      },
      "position": {
        "x": "float64",
        "y": "float64",
        "z": "float64"
      }
    },
    "pose_frame": "string",
    "rim_ledge": {
      "x": "float64",
      "y": "float64"
    },
    "rim_step_height": "float64",
    "rim_thickness": {
      "x": "float64",
      "y": "float64"
    },
    "type": "string"
  }
],
"matches": [
  {
    "grasp_uuids": [
      "string"
    ],
    "pose": {
      "orientation": {
        "w": "float64",
        "x": "float64",
        "y": "float64",
        "z": "float64"
      },
      "position": {
        "x": "float64",
        "y": "float64",
        "z": "float64"
      }
    },
    "pose_frame": "string",
    "score": "float32",
```

(continues on next page)

(continued from previous page)

```

    "template_id": "string",
    "timestamp": {
      "nsec": "int32",
      "sec": "int32"
    },
    "uuid": "string"
  }
],
"return_code": {
  "message": "string",
  "value": "int16"
},
"timestamp": {
  "nsec": "int32",
  "sec": "int32"
}
}
}

```

### set\_preferred\_orientation

Persistently stores the preferred orientation of the TCP to compute the reachability of the grasps, which is used for filtering and, optionally, sorting the grasps returned by the detect\_object service (see [Setting the preferred orientation of the TCP](#), Section 6.2.7.4).

#### Details

This service can be called as follows.

#### API version 2

```
PUT http://<host>/api/v2/pipelines/0/nodes/rc_cadmatch/services/set_preferred_
orientation
```

#### API version 1 (deprecated)

```
PUT http://<host>/api/v1/nodes/rc_cadmatch/services/set_preferred_orientation
```

#### Request

The definition for the request arguments with corresponding datatypes is:

```

{
  "args": {
    "orientation": {
      "w": "float64",
      "x": "float64",
      "y": "float64",
      "z": "float64"
    },
    "pose_frame": "string"
  }
}

```

#### Response

The definition for the response with corresponding datatypes is:

```

{
  "name": "set_preferred_orientation",
  "response": {

```

(continues on next page)

(continued from previous page)

```

    "return_code": {
      "message": "string",
      "value": "int16"
    }
  }
}

```

### get\_preferred\_orientation

Returns the preferred orientation of the TCP to compute the reachability of the grasps, which is used for filtering and, optionally, sorting the grasps returned by the detect\_object service (see [Setting the preferred orientation of the TCP](#), Section 6.2.7.4).

#### Details

This service can be called as follows.

#### API version 2

```
PUT http://<host>/api/v2/pipelines/0/nodes/rc_cadmatch/services/get_preferred_
->orientation
```

#### API version 1 (deprecated)

```
PUT http://<host>/api/v1/nodes/rc_cadmatch/services/get_preferred_orientation
```

#### Request

This service has no arguments.

#### Response

The definition for the response with corresponding datatypes is:

```

{
  "name": "get_preferred_orientation",
  "response": {
    "orientation": {
      "w": "float64",
      "x": "float64",
      "y": "float64",
      "z": "float64"
    },
    "pose_frame": "string",
    "return_code": {
      "message": "string",
      "value": "int16"
    }
  }
}

```

### set\_sorting\_strategies

Persistently stores the sorting strategy for sorting the grasps and matches returned by the detect\_object service (see [Detection of objects](#), Section 6.2.7.6).

#### Details

This service can be called as follows.

#### API version 2

```
PUT http://<host>/api/v2/pipelines/0/nodes/rc_cadmatch/services/set_sorting_strategies
```

### API version 1 (deprecated)

```
PUT http://<host>/api/v1/nodes/rc_cadmatch/services/set_sorting_strategies
```

### Request

Only one strategy may have a weight greater than 0. If all weight values are set to 0, the module will use the default sorting strategy.

If the weight for `direction` is set, the `vector` must contain the direction vector and `pose_frame` must be either `camera` or `external`.

If the weight for `distance_to_point` is set, `point` must contain the sorting point and `pose_frame` must be either `camera` or `external`.

The definition for the request arguments with corresponding datatypes is:

```
{
  "args": {
    "direction": {
      "pose_frame": "string",
      "vector": {
        "x": "float64",
        "y": "float64",
        "z": "float64"
      },
      "weight": "float64"
    },
    "distance_to_point": {
      "farthest_first": "bool",
      "point": {
        "x": "float64",
        "y": "float64",
        "z": "float64"
      },
      "pose_frame": "string",
      "weight": "float64"
    },
    "gravity": {
      "weight": "float64"
    },
    "match_score": {
      "weight": "float64"
    },
    "preferred_orientation": {
      "weight": "float64"
    }
  }
}
```

### Response

The definition for the response with corresponding datatypes is:

```
{
  "name": "set_sorting_strategies",
  "response": {
    "return_code": {
      "message": "string",
      "value": "int16"
    }
  }
}
```

(continues on next page)

(continued from previous page)

```
}
}
```

**get\_sorting\_strategies**

Returns the sorting strategy for sorting the grasps and matches returned by the detect\_object service (see [Detection of objects](#), Section 6.2.7.6).

**Details**

This service can be called as follows.

**API version 2**

```
PUT http://<host>/api/v2/pipelines/0/nodes/rc_cadmatch/services/get_sorting_strategies
```

**API version 1 (deprecated)**

```
PUT http://<host>/api/v1/nodes/rc_cadmatch/services/get_sorting_strategies
```

**Request**

This service has no arguments.

**Response**

All weight values are 0 when the module uses the default sorting strategy.

The definition for the response with corresponding datatypes is:

```
{
  "name": "get_sorting_strategies",
  "response": {
    "direction": {
      "pose_frame": "string",
      "vector": {
        "x": "float64",
        "y": "float64",
        "z": "float64"
      },
      "weight": "float64"
    },
    "distance_to_point": {
      "farthest_first": "bool",
      "point": {
        "x": "float64",
        "y": "float64",
        "z": "float64"
      },
      "pose_frame": "string",
      "weight": "float64"
    },
    "gravity": {
      "weight": "float64"
    },
    "match_score": {
      "weight": "float64"
    },
    "preferred_orientation": {
      "weight": "float64"
    },
    "return_code": {
```

(continues on next page)

(continued from previous page)

```
"message": "string",  
"value": "int16"  
}  
}  
}
```

## start

Starts the module. If the command is accepted, the module moves to state RUNNING.

### Details

The `current_state` value in the service response may differ from `RUNNING` if the state transition is still in process when the service returns.

This service can be called as follows.

### API version 2

```
PUT http://<host>/api/v2/pipelines/0/nodes/rc_cadmatch/services/start
```

### API version 1 (deprecated)

```
PUT http://<host>/api/v1/nodes/rc_cadmatch/services/start
```

### Request

This service has no arguments.

### Response

The definition for the response with corresponding datatypes is:

```
{  
  "name": "start",  
  "response": {  
    "accepted": "bool",  
    "current_state": "string"  
  }  
}
```

## stop

Stops the module. If the command is accepted, the module moves to state IDLE.

### Details

The `current_state` value in the service response may differ from `IDLE` if the state transition is still in process when the service returns.

This service can be called as follows.

### API version 2

```
PUT http://<host>/api/v2/pipelines/0/nodes/rc_cadmatch/services/stop
```

### API version 1 (deprecated)

```
PUT http://<host>/api/v1/nodes/rc_cadmatch/services/stop
```

**Request**

This service has no arguments.

**Response**

The definition for the response with corresponding datatypes is:

```
{
  "name": "stop",
  "response": {
    "accepted": "bool",
    "current_state": "string"
  }
}
```

**reset\_defaults**

Resets all parameters of the module to its default values, as listed in above table. Also resets preferred orientation and sorting strategies. The reset does not apply to templates.

**Details**

This service can be called as follows.

**API version 2**

```
PUT http://<host>/api/v2/pipelines/0/nodes/rc_cadmatch/services/reset_defaults
```

**API version 1 (deprecated)**

```
PUT http://<host>/api/v1/nodes/rc_cadmatch/services/reset_defaults
```

**Request**

This service has no arguments.

**Response**

The definition for the response with corresponding datatypes is:

```
{
  "name": "reset_defaults",
  "response": {
    "return_code": {
      "message": "string",
      "value": "int16"
    }
  }
}
```

**6.2.7.11 Internal services**

The following services for configuring grasps and pose priors can change in future without notice. Setting, retrieving and deleting grasps and pose priors is recommended to be done via the Web GUI.

**set\_grasp**

Persistently stores a grasp for the given object template on the *rc\_visard NG*. All configured grasps are persistent over firmware updates and rollbacks.

**Details**



This service can be called as follows.

### API version 2

```
PUT http://<host>/api/v2/pipelines/0/nodes/rc_cadmatch/services/set_grasp
```

### API version 1 (deprecated)

```
PUT http://<host>/api/v1/nodes/rc_cadmatch/services/set_grasp
```

### Request

Details for the definition of the grasp type are given in [Setting of grasp points](#) (Section 6.2.7.2).

The definition for the request arguments with corresponding datatypes is:

```
{
  "args": {
    "grasp": {
      "gripper_id": "string",
      "id": "string",
      "pose": {
        "orientation": {
          "w": "float64",
          "x": "float64",
          "y": "float64",
          "z": "float64"
        },
        "position": {
          "x": "float64",
          "y": "float64",
          "z": "float64"
        }
      },
      "priority": "int8",
      "replication": {
        "max_x_deg": "float64",
        "min_x_deg": "float64",
        "origin": {
          "orientation": {
            "w": "float64",
            "x": "float64",
            "y": "float64",
            "z": "float64"
          },
          "position": {
            "x": "float64",
            "y": "float64",
            "z": "float64"
          }
        },
        "step_x_deg": "float64"
      },
      "template_id": "string"
    }
  }
}
```

### Response

The definition for the response with corresponding datatypes is:

```

{
  "name": "set_grasp",
  "response": {
    "return_code": {
      "message": "string",
      "value": "int16"
    }
  }
}

```

### set\_all\_grasps

Replaces the list of grasps for the given object template on the *rc\_visard NG*.

#### Details

This service can be called as follows.

#### API version 2

```
PUT http://<host>/api/v2/pipelines/0/nodes/rc_cadmatch/services/set_all_grasps
```

#### API version 1 (deprecated)

```
PUT http://<host>/api/v1/nodes/rc_cadmatch/services/set_all_grasps
```

#### Request

Details for the definition of the grasp type are given in *Setting of grasp points* (Section 6.2.7.2).

The definition for the request arguments with corresponding datatypes is:

```

{
  "args": {
    "grasps": [
      {
        "gripper_id": "string",
        "id": "string",
        "pose": {
          "orientation": {
            "w": "float64",
            "x": "float64",
            "y": "float64",
            "z": "float64"
          },
          "position": {
            "x": "float64",
            "y": "float64",
            "z": "float64"
          }
        }
      },
      {
        "priority": "int8",
        "replication": {
          "max_x_deg": "float64",
          "min_x_deg": "float64",
          "origin": {
            "orientation": {
              "w": "float64",
              "x": "float64",
              "y": "float64",
              "z": "float64"
            }
          }
        }
      }
    ]
  }
}

```

(continues on next page)

(continued from previous page)

```

    },
    "position": {
      "x": "float64",
      "y": "float64",
      "z": "float64"
    }
  },
  "step_x_deg": "float64"
},
"template_id": "string"
}
],
"template_id": "string"
}
}
}

```

**Response**

The definition for the response with corresponding datatypes is:

```

{
  "name": "set_all_grasps",
  "response": {
    "return_code": {
      "message": "string",
      "value": "int16"
    }
  }
}
}

```

**get\_grasps**

Returns all configured grasps which have the requested grasp\_ids and belong to the requested template\_ids.

**Details**

This service can be called as follows.

**API version 2**

```
PUT http://<host>/api/v2/pipelines/0/nodes/rc_cadmatch/services/get_grasps
```

**API version 1 (deprecated)**

```
PUT http://<host>/api/v1/nodes/rc_cadmatch/services/get_grasps
```

**Request**

If no grasp\_ids are provided, all grasps belonging to the requested template\_ids are returned. If no template\_ids are provided, all grasps with the requested grasp\_ids are returned. If neither IDs are provided, all configured grasps are returned.

The definition for the request arguments with corresponding datatypes is:

```

{
  "args": {
    "grasp_ids": [
      "string"
    ],
    "template_ids": [

```

(continues on next page)

(continued from previous page)

```

    "string"
  ]
}
}

```

**Response**

The definition for the response with corresponding datatypes is:

```

{
  "name": "get_grasps",
  "response": {
    "grasps": [
      {
        "gripper_id": "string",
        "id": "string",
        "pose": {
          "orientation": {
            "w": "float64",
            "x": "float64",
            "y": "float64",
            "z": "float64"
          },
          "position": {
            "x": "float64",
            "y": "float64",
            "z": "float64"
          }
        },
        "priority": "int8",
        "replication": {
          "max_x_deg": "float64",
          "min_x_deg": "float64",
          "origin": {
            "orientation": {
              "w": "float64",
              "x": "float64",
              "y": "float64",
              "z": "float64"
            },
            "position": {
              "x": "float64",
              "y": "float64",
              "z": "float64"
            }
          },
          "step_x_deg": "float64"
        },
        "template_id": "string"
      }
    ],
    "return_code": {
      "message": "string",
      "value": "int16"
    }
  }
}

```

### delete\_grasps

Deletes all grasps with the requested grasp\_ids that belong to the requested template\_ids.

#### Details

This service can be called as follows.

#### API version 2

```
PUT http://<host>/api/v2/pipelines/0/nodes/rc_cadmatch/services/delete_grasps
```

#### API version 1 (deprecated)

```
PUT http://<host>/api/v1/nodes/rc_cadmatch/services/delete_grasps
```

#### Request

If no grasp\_ids are provided, all grasps belonging to the requested template\_ids are deleted. The template\_ids list must not be empty.

The definition for the request arguments with corresponding datatypes is:

```
{
  "args": {
    "grasp_ids": [
      "string"
    ],
    "template_ids": [
      "string"
    ]
  }
}
```

#### Response

The definition for the response with corresponding datatypes is:

```
{
  "name": "delete_grasps",
  "response": {
    "return_code": {
      "message": "string",
      "value": "int16"
    }
  }
}
```

### get\_symmetric\_grasps

Returns all grasps that are symmetric to the given grasp.

#### Details

This service can be called as follows.

#### API version 2

```
PUT http://<host>/api/v2/pipelines/0/nodes/rc_cadmatch/services/get_symmetric_grasps
```

#### API version 1 (deprecated)

```
PUT http://<host>/api/v1/nodes/rc_cadmatch/services/get_symmetric_grasps
```

## Request

Details for the definition of the grasp type are given in [Setting of grasp points](#) (Section 6.2.7.2).

The definition for the request arguments with corresponding datatypes is:

```
{
  "args": {
    "grasp": {
      "pose": {
        "orientation": {
          "w": "float64",
          "x": "float64",
          "y": "float64",
          "z": "float64"
        },
        "position": {
          "x": "float64",
          "y": "float64",
          "z": "float64"
        }
      },
      "replication": {
        "max_x_deg": "float64",
        "min_x_deg": "float64",
        "origin": {
          "orientation": {
            "w": "float64",
            "x": "float64",
            "y": "float64",
            "z": "float64"
          },
          "position": {
            "x": "float64",
            "y": "float64",
            "z": "float64"
          }
        },
        "step_x_deg": "float64"
      },
      "template_id": "string"
    }
  }
}
```

## Response

The first grasp in the returned list is the one that was passed with the service call. If the object template does not have an exact symmetry, only the grasp passed with the service call will be returned. If the object template has a continuous symmetry (e.g. a cylindrical object), only 12 equally spaced sample grasps will be returned.

Details for the definition of the grasp type are given in [Setting of grasp points](#) (Section 6.2.7.2).

The definition for the response with corresponding datatypes is:

```
{
  "name": "get_symmetric_grasps",
  "response": {
    "grasps": [
      {
        "pose": {
```

(continues on next page)

(continued from previous page)

```

    "orientation": {
      "w": "float64",
      "x": "float64",
      "y": "float64",
      "z": "float64"
    },
    "position": {
      "x": "float64",
      "y": "float64",
      "z": "float64"
    }
  },
  "replication": {
    "max_x_deg": "float64",
    "min_x_deg": "float64",
    "origin": {
      "orientation": {
        "w": "float64",
        "x": "float64",
        "y": "float64",
        "z": "float64"
      },
      "position": {
        "x": "float64",
        "y": "float64",
        "z": "float64"
      }
    },
    "step_x_deg": "float64"
  },
  "template_id": "string"
}
],
"return_code": {
  "message": "string",
  "value": "int16"
}
}
}

```

### set\_pose\_prior

Persistently stores a pose prior for the given object template on the *rc\_visard NG*. All configured pose priors are persistent over firmware updates and rollbacks.

#### Details

This service can be called as follows.

#### API version 2

```
PUT http://<host>/api/v2/pipelines/0/nodes/rc_cadmatch/services/set_pose_prior
```

#### API version 1 (deprecated)

```
PUT http://<host>/api/v1/nodes/rc_cadmatch/services/set_pose_prior
```

#### Request

Details for the definition of the *pose\_prior* type are given in *Setting of pose priors* (Section 6.2.7.3).

The definition for the request arguments with corresponding datatypes is:

```
{
  "args": {
    "pose_prior": {
      "id": "string",
      "pose": {
        "orientation": {
          "w": "float64",
          "x": "float64",
          "y": "float64",
          "z": "float64"
        },
        "position": {
          "x": "float64",
          "y": "float64",
          "z": "float64"
        }
      }
    },
    "pose_frame": "string",
    "template_id": "string"
  }
}
```

### Response

The definition for the response with corresponding datatypes is:

```
{
  "name": "set_pose_prior",
  "response": {
    "return_code": {
      "message": "string",
      "value": "int16"
    }
  }
}
```

### set\_all\_pose\_priors

Replaces the list of pose priors for the given object template on the *rc\_visard NG*.

#### Details

This service can be called as follows.

#### API version 2

```
PUT http://<host>/api/v2/pipelines/0/nodes/rc_cadmatch/services/set_all_pose_priors
```

#### API version 1 (deprecated)

```
PUT http://<host>/api/v1/nodes/rc_cadmatch/services/set_all_pose_priors
```

#### Request

Details for the definition of the pose\_prior type are given in [Setting of pose priors](#) (Section 6.2.7.3).

The definition for the request arguments with corresponding datatypes is:



```

{
  "args": {
    "pose_priors": [
      {
        "id": "string",
        "pose": {
          "orientation": {
            "w": "float64",
            "x": "float64",
            "y": "float64",
            "z": "float64"
          },
          "position": {
            "x": "float64",
            "y": "float64",
            "z": "float64"
          }
        },
        "pose_frame": "string",
        "template_id": "string"
      }
    ],
    "template_id": "string"
  }
}

```

### Response

The definition for the response with corresponding datatypes is:

```

{
  "name": "set_all_pose_priors",
  "response": {
    "return_code": {
      "message": "string",
      "value": "int16"
    }
  }
}

```

### get\_pose\_priors

Returns all configured pose priors which have the requested pose\_prior\_ids and belong to the requested template\_ids.

#### Details

This service can be called as follows.

#### API version 2

```
PUT http://<host>/api/v2/pipelines/0/nodes/rc_cadmatch/services/get_pose_priors
```

#### API version 1 (deprecated)

```
PUT http://<host>/api/v1/nodes/rc_cadmatch/services/get_pose_priors
```

#### Request

If no pose\_prior\_ids are provided, all pose priors belonging to the requested template\_ids are returned. If no template\_ids are provided, all pose priors with the requested

pose\_prior\_ids are returned. If neither IDs are provided, all configured pose priors are returned.

The definition for the request arguments with corresponding datatypes is:

```
{
  "args": {
    "pose_prior_ids": [
      "string"
    ],
    "template_ids": [
      "string"
    ]
  }
}
```

### Response

The definition for the response with corresponding datatypes is:

```
{
  "name": "get_pose_priors",
  "response": {
    "pose_priors": [
      {
        "id": "string",
        "pose": {
          "orientation": {
            "w": "float64",
            "x": "float64",
            "y": "float64",
            "z": "float64"
          },
          "position": {
            "x": "float64",
            "y": "float64",
            "z": "float64"
          }
        },
        "pose_frame": "string",
        "template_id": "string"
      }
    ],
    "return_code": {
      "message": "string",
      "value": "int16"
    }
  }
}
```

### delete\_pose\_priors

Deletes all pose priors with the requested pose\_prior\_ids that belong to the requested template\_ids.

#### Details

This service can be called as follows.

#### API version 2

```
PUT http://<host>/api/v2/pipelines/0/nodes/rc_cadmatch/services/delete_pose_priors
```

**API version 1 (deprecated)**

```
PUT http://<host>/api/v1/nodes/rc_cadmatch/services/delete_pose_priors
```

**Request**

If no `pose_prior_ids` are provided, all pose priors belonging to the requested `template_ids` are deleted. The `template_ids` list must not be empty.

The definition for the request arguments with corresponding datatypes is:

```
{
  "args": {
    "pose_prior_ids": [
      "string"
    ],
    "template_ids": [
      "string"
    ]
  }
}
```

**Response**

The definition for the response with corresponding datatypes is:

```
{
  "name": "delete_pose_priors",
  "response": {
    "return_code": {
      "message": "string",
      "value": "int16"
    }
  }
}
```

**6.2.7.12 Return codes**

Each service response contains a `return_code`, which consists of a value plus an optional message. A successful service returns with a `return_code` value of 0. Negative `return_code` values indicate that the service failed. Positive `return_code` values indicate that the service succeeded with additional information. The smaller value is selected in case a service has multiple `return_code` values, but all messages are appended in the `return_code` message.

The following table contains a list of common codes:

Table 6.34: Return codes of the CADMatch services

Code	Description
0	Success
-1	An invalid argument was provided.
-2	An internal error occurred.
-3	An internal timeout occurred.
-4	Data acquisition took longer than allowed.
-8	Not applicable, stereo quality must be at least Medium.
-9	No valid license for the module.
-10	New element could not be added as the maximum storage capacity of load carriers or regions of interest has been exceeded.
-11	Sensor not connected, not supported or not ready.
10	The maximum storage capacity of load carriers or regions of interest has been reached.
11	Existing data was overwritten.
100	The requested load carrier was not detected in the scene.
101	None of the detected grasps is reachable.
102	The detected load carrier is empty.
103	All detected grasps are in collision.
106	The list of returned grasps has been trimmed to the 100 best grasps.
110	Hints for setting up the application, e.g. reducing the distance from the camera, setting a region of interest.
113	No gripper was found for collision checking.
114	Collision checking during retraction was skipped, e.g. because no load carrier or no pre-grasp offset were given.
151	The object template has a continuous symmetry.
152	The objects are outside the given region of interest, outside the load carrier or outside the image.
153	No edges could be detected in the camera image. Check the Edge Sensitivity.
999	Additional hints for application development

### 6.2.7.13 Template API

For template upload, download, listing and removal, special REST-API endpoints are provided. Templates can also be uploaded, downloaded and removed via the Web GUI. The templates include the grasp points and pose priors, if grasp points or pose priors have been configured. Up to 50 templates can be stored persistently on the *rc\_visard NG*.

#### GET /templates/rc\_cadmatch

Get list of all rc\_cadmatch templates.

#### Template request

```
GET /api/v2/templates/rc_cadmatch HTTP/1.1
```

#### Template response

```
HTTP/1.1 200 OK
Content-Type: application/json

[
  {
    "id": "string"
  }
]
```

#### Response Headers

- **Content-Type** – application/json application/ubjson

**Status Codes**

- 200 OK – successful operation (*returns array of Template*)
- 404 Not Found – node not found

**Referenced Data Models**

- [Template](#) (Section 7.3.3)

**GET /templates/rc\_cadmatch/{id}**

Get a rc\_cadmatch template. If the requested content-type is application/octet-stream, the template is returned as file.

**Template request**

```
GET /api/v2/templates/rc_cadmatch/<id> HTTP/1.1
```

**Template response**

```
HTTP/1.1 200 OK
Content-Type: application/json

{
  "id": "string"
}
```

**Parameters**

- **id** (*string*) – id of the template (*required*)

**Response Headers**

- **Content-Type** – application/json application/ubjson application/octet-stream

**Status Codes**

- 200 OK – successful operation (*returns Template*)
- 404 Not Found – node or template not found

**Referenced Data Models**

- [Template](#) (Section 7.3.3)

**PUT /templates/rc\_cadmatch/{id}**

Create or update a rc\_cadmatch template.

**Template request**

```
PUT /api/v2/templates/rc_cadmatch/<id> HTTP/1.1
Accept: multipart/form-data application/json
```

**Template response**

```
HTTP/1.1 200 OK
Content-Type: application/json

{
  "id": "string"
}
```

**Parameters**

- **id** (*string*) – id of the template (*required*)

**Form Parameters**

- **file** – template file (*required*)

#### Request Headers

- **Accept** – multipart/form-data application/json

#### Response Headers

- **Content-Type** – application/json application/ubjson

#### Status Codes

- **200 OK** – successful operation (*returns Template*)
- **400 Bad Request** – Template is not valid or max number of templates reached
- **403 Forbidden** – forbidden, e.g. because there is no valid license for this module.
- **404 Not Found** – node or template not found
- **413 Request Entity Too Large** – Template too large

#### Referenced Data Models

- *Template* (Section 7.3.3)

**DELETE** /templates/rc\_cadmatch/{id}

Remove a rc\_cadmatch template.

#### Template request

```
DELETE /api/v2/templates/rc_cadmatch/<id> HTTP/1.1
Accept: application/json application/ubjson
```

#### Parameters

- **id** (*string*) – id of the template (*required*)

#### Request Headers

- **Accept** – application/json application/ubjson

#### Response Headers

- **Content-Type** – application/json application/ubjson

#### Status Codes

- **200 OK** – successful operation
- **403 Forbidden** – forbidden, e.g. because there is no valid license for this module.
- **404 Not Found** – node or template not found

## 6.3 Configuration modules

The *rc\_visard NG* provides several configuration modules which enable the user to configure the *rc\_visard NG* for specific applications.

The configuration modules are:

- **Hand-eye calibration** (*rc\_hand\_eye\_calibration*, **Section 6.3.1**) enables the user to calibrate the camera with respect to a robot, either via the Web GUI or the REST-API.
- **CollisionCheck** (*rc\_collision\_check*, **Section 6.3.2**) provides an easy way to check if a gripper is in collision.

- **Camera calibration** (`rc_stereocalib`, [Section 6.3.3](#)) enables the user to check and perform camera calibration via the *WEB GUI* ([Section 7.1](#)).
- **IO and Projector Control** (`rc_iocontrol`, [Section 6.3.4](#)) provides control over the sensor's general purpose inputs and outputs with special modes for controlling an external random dot projector.

### 6.3.1 Hand-eye calibration

For applications, in which the camera is integrated into one or more robot systems, it needs to be calibrated w.r.t. some robot reference frames. For this purpose, the *rc\_visard NG* is shipped with an on-board calibration routine called the *hand-eye calibration* module. It is a base module which is available on every *rc\_visard NG*.

**Note:** The implemented calibration routine is completely agnostic about the user-defined robot frame to which the camera is calibrated. It might be a robot's end-effector (e.g., flange or tool center point) or any point on the robot structure. The method's only requirement is that the pose (i.e., translation and rotation) of this robot frame w.r.t. a user-defined external reference frame (e.g., world or robot mounting point) is exactly observable by the robot controller and can be reported to the calibration module.

The *Calibration routine* ([Section 6.3.1.3](#)) itself is an easy-to-use multi-step procedure using a calibration grid which can be obtained from Roboception.

#### 6.3.1.1 Calibration interfaces

The following two interfaces are offered to conduct hand-eye calibration:

1. All services and parameters of this module required to conduct the hand-eye calibration **programmatically** are exposed by the *rc\_visard NG*'s *REST-API interface* ([Section 7.3](#)). The respective node name of this module is `rc_hand_eye_calibration` and the respective service calls are documented *Services* ([Section 6.3.1.5](#)).

**Note:** The described approach requires a network connection between the *rc\_visard NG* and the robot controller to pass robot poses from the controller to the *rc\_visard NG*'s calibration module.

2. For use cases where robot poses cannot be passed programmatically to the *rc\_visard NG*'s hand-eye calibration module, the *Web GUI*'s *Hand-Eye Calibration* page under *Configuration* offers a guided process to conduct the calibration routine **manually**.

**Note:** During the process, the described approach requires the user to manually enter into the Web GUI robot poses, which need to be accessed from the respective robot-teaching or handheld device.

#### 6.3.1.2 Camera mounting

As illustrated in [Fig. 6.17](#) and [Fig. 6.19](#), two different use cases w.r.t. to the mounting of the camera generally have to be considered:

- a. The camera is **mounted on the robot**, i.e., it is mechanically fixed to a robot link (e.g., at its flange or a flange-mounted tool), and hence moves with the robot.
- b. The camera is **not mounted on the robot** but is fixed to a table or other place in the robot's vicinity and remains at a **static** position w.r.t. the robot.

While the general *Calibration routine* (Section 6.3.1.3) is very similar in both use cases, the calibration process's output, i.e., the resulting calibration transform, will be semantically different, and the fixture of the calibration grid will also differ.

**Calibration with a robot-mounted camera** When calibrating a robot-mounted camera with the robot, the calibration grid has to be secured in a static position w.r.t. the robot, e.g., on a table or some other fixed-base coordinate system as sketched in Fig. 6.17.

**Warning:** It is extremely important that the calibration grid does not move during step 2 of the *Calibration routine* (Section 6.3.1.3). Securely fixing its position to prevent unintended movements such as those caused by vibrations, moving cables, or the like is therefore strongly recommended.

The result of the calibration (step 3 of the *Calibration routine*, Section 6.3.1.3) is a pose  $T_{camera}^{robot}$  describing the (previously unknown) relative positional and rotational transformation from the *camera* frame into the user-selected *robot* frame such that

$$p_{robot} = R_{camera}^{robot} \cdot p_{camera} + t_{camera}^{robot}, \quad (6.3)$$

where  $p_{robot} = (x, y, z)^T$  is a 3D point with its coordinates expressed in the *robot* frame,  $p_{camera}$  is the same point represented in the *camera* coordinate frame, and  $R_{camera}^{robot}$  as well as  $t_{camera}^{robot}$  are the corresponding  $3 \times 3$  rotation matrix and  $3 \times 1$  translation vector of the pose  $T_{camera}^{robot}$ , respectively. In practice, in the calibration result and in the provided robot poses, the rotation is defined by Euler angles or as quaternion instead of a rotation matrix (see *Pose formats*, Section 13.1).

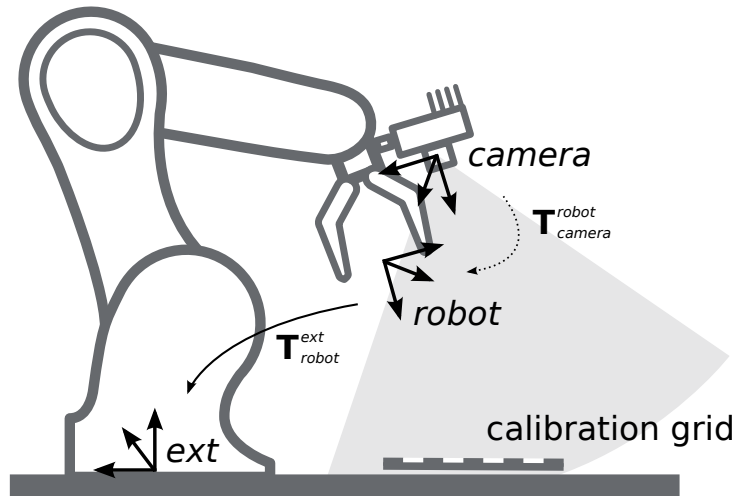


Fig. 6.17: Important frames and transformations for calibrating a camera that is mounted on a general robot. The camera is mounted with a fixed relative position to a user-defined *robot* frame (e.g., flange or TCP). It is important that the pose  $T_{robot}^{ext}$  of this *robot* frame w.r.t. a user-defined external reference frame *ext* is observable during the calibration routine. The result of the calibration process is the desired calibration transformation  $T_{camera}^{robot}$ , i.e., the pose of the *camera* frame within the user-defined *robot* frame.

Additional user input is required if the movement of the robot is constrained and the robot can rotate the Tool Center Point (TCP) only around one axis. This is typically the case for robots with four Degrees Of Freedom (4DOF) that are often used for palletizing tasks. In this case, the user must specify which axis of the *robot* frame is the rotation axis of the TCP. Further, the signed offset from the TCP to the *camera* coordinate system along the TCP rotation axis has to be provided. Fig. 6.18 illustrates the situation.

For the *rc\_visard NG*, the camera coordinate system is located in the optical center of the left camera. The approximate location is given in section *Coordinate frames* (Section 3.7).



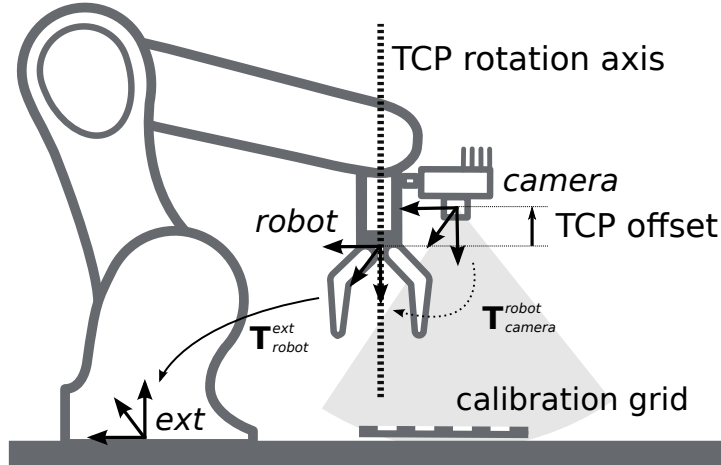


Fig. 6.18: In case of a 4DOF robot, the TCP rotation axis and the offset from the TCP to the camera coordinate system along the TCP rotation axis must be provided. In the illustrated case, this offset is negative.

**Calibration with a statically-mounted camera** In use cases where the camera is positioned statically w.r.t. the robot, the calibration grid needs to be mounted to the robot as shown for example in Fig. 6.19 and Fig. 6.20.

**Note:** The hand-eye calibration module is completely agnostic about the exact mounting and positioning of the calibration grid w.r.t. the user-defined *robot* frame. That means, the relative positioning of the calibration grid to that frame neither needs to be known, nor it is relevant for the calibration routine, as shown in Fig. 6.20.

**Warning:** It is extremely important that the calibration grid is attached securely to the robot such that it does not change its relative position w.r.t. the user-defined *robot* frame during step 2 of the *Calibration routine* (Section 6.3.1.3).

In this use case, the result of the calibration (step 3 of the *Calibration routine*, Section 6.3.1.3) is the pose  $\mathbf{T}_{camera}^{ext}$  describing the (previously unknown) relative positional and rotational transformation between the *camera* frame and the user-selected external reference frame *ext* such that

$$\mathbf{p}_{ext} = \mathbf{R}_{camera}^{ext} \cdot \mathbf{p}_{camera} + \mathbf{t}_{camera}^{ext}, \quad (6.4)$$

where  $\mathbf{p}_{ext} = (x, y, z)^T$  is a 3D point with its coordinates expressed in the external reference frame *ext*,  $\mathbf{p}_{camera}$  is the same point represented in the *camera* coordinate frame, and  $\mathbf{R}_{camera}^{ext}$  as well as  $\mathbf{t}_{camera}^{ext}$  are the corresponding  $3 \times 3$  rotation matrix and  $3 \times 1$  translation vector of the pose  $\mathbf{T}_{camera}^{ext}$ , respectively. In practice, in the calibration result and in the provided robot poses, the rotation is defined by Euler angles or as quaternion instead of a rotation matrix (see *Pose formats*, Section 13.1).

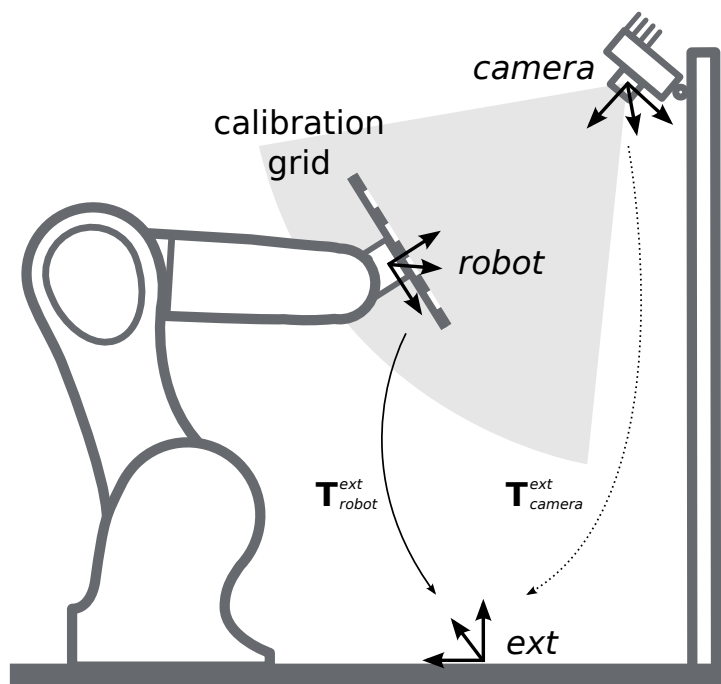


Fig. 6.19: Important frames and transformations for calibrating a statically mounted camera: The latter is mounted with a fixed position relative to a user-defined external reference frame *ext* (e.g., the world coordinate frame or the robot's mounting point). It is important that the pose  $T_{robot}^{ext}$  of the user-defined *robot* frame w.r.t. this frame is observable during the calibration routine. The result of the calibration process is the desired calibration transformation  $T_{camera}^{ext}$ , i.e., the pose of the *camera* frame in the user-defined external reference frame *ext*.

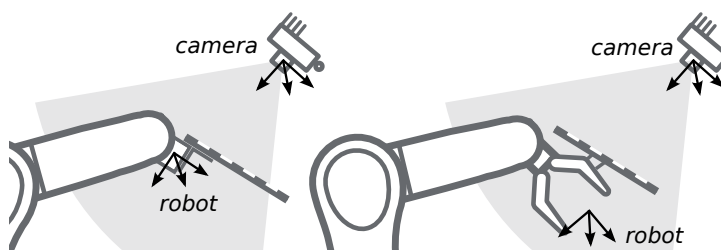


Fig. 6.20: Alternate mounting options for attaching the calibration grid to the robot

Additional user input is required if the movement of the robot is constrained and the robot can rotate the Tool Center Point (TCP) only around one axis. This is typically the case for robots with four Degrees Of Freedom (4DOF) that are often used for palletizing tasks. In this case, the user must specify which axis of the *robot* frame is the rotation axis of the TCP. Further, the signed offset from the TCP to the visible surface of the calibration grid along the TCP rotation axis has to be provided. The grid must be mounted such that the TCP rotation axis is orthogonal to the grid. Fig. 6.21 illustrates the situation.

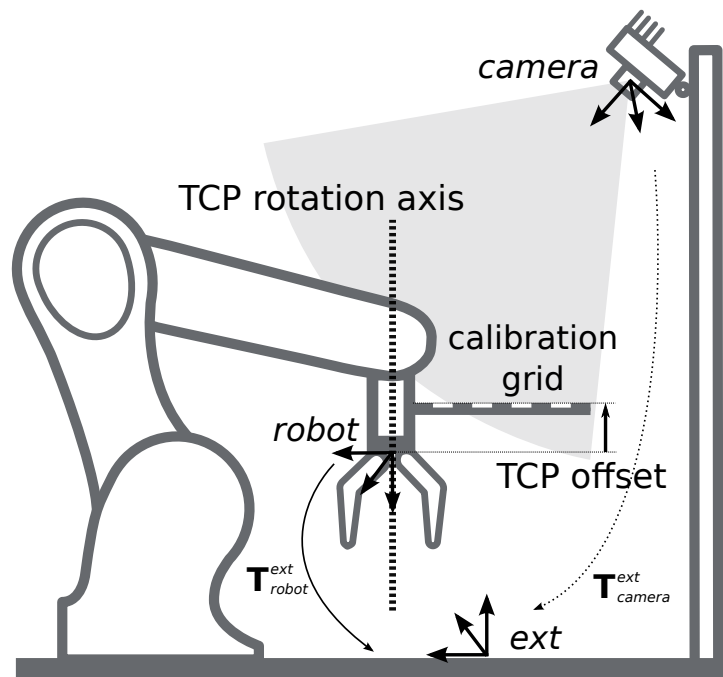


Fig. 6.21: In case of a 4DOF robot, the TCP rotation axis and the offset from the TCP to the visible surface of the grid along the TCP rotation axis must be provided. In the illustrated case, this offset is negative.

### 6.3.1.3 Calibration routine

The hand-eye calibration can be performed manually using the [Web GUI](#) (Section 7.1) or programmatically via the [REST-API interface](#) (Section 7.3). The general calibration routine will be described by following the steps of the hand-eye calibration wizard provided on the Web GUI. This wizard can be found in the *rc\_visard NG*'s Web GUI under *Configuration* → *Hand-Eye Calibration*. References to the corresponding REST-API calls are provided at the appropriate places.

#### Step 1: Hand-Eye Calibration Status

The starting page of the hand-eye calibration wizard shows the current status of the hand-eye calibration. If a hand-eye calibration is saved on the *rc\_visard NG*, the calibration transformation is displayed here (see Fig. 6.22).

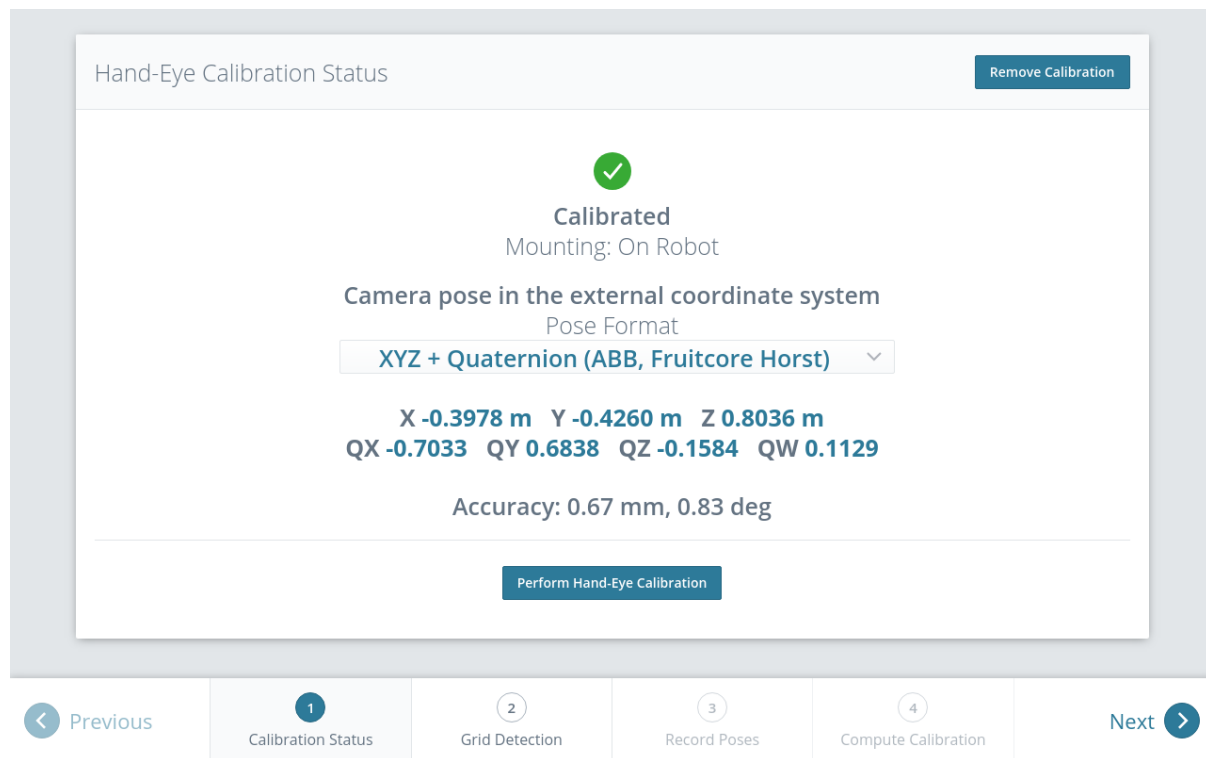


Fig. 6.22: Current status of the hand-eye calibration in case a hand-eye calibration is saved

To query the hand-eye calibration status programmatically, the module's REST-API offers the `get_calibration` service call (see [Services](#), Section 6.3.1.5). An existing hand-eye calibration can be removed by pressing *Remove Calibration* or using `remove_calibration` in the REST-API (see [Services](#), Section 6.3.1.5).

To start a new hand-eye calibration, click on *Perform Hand-Eye Calibration* or *Next*.

## Step 2: Checking Grid Detection

To achieve good calibration results, the images should be well exposed so that the calibration grid can be detected accurately and reliably. In this step, the grid detection can be checked and the camera settings can be adjusted if necessary. In case parts of the calibration grid are overexposed, the respective squares of the calibration grid will be highlighted in red. A successful grid detection is visualized by green check marks on every square of the calibration grid and a thick green border around the grid as shown in [Fig. 6.23](#).

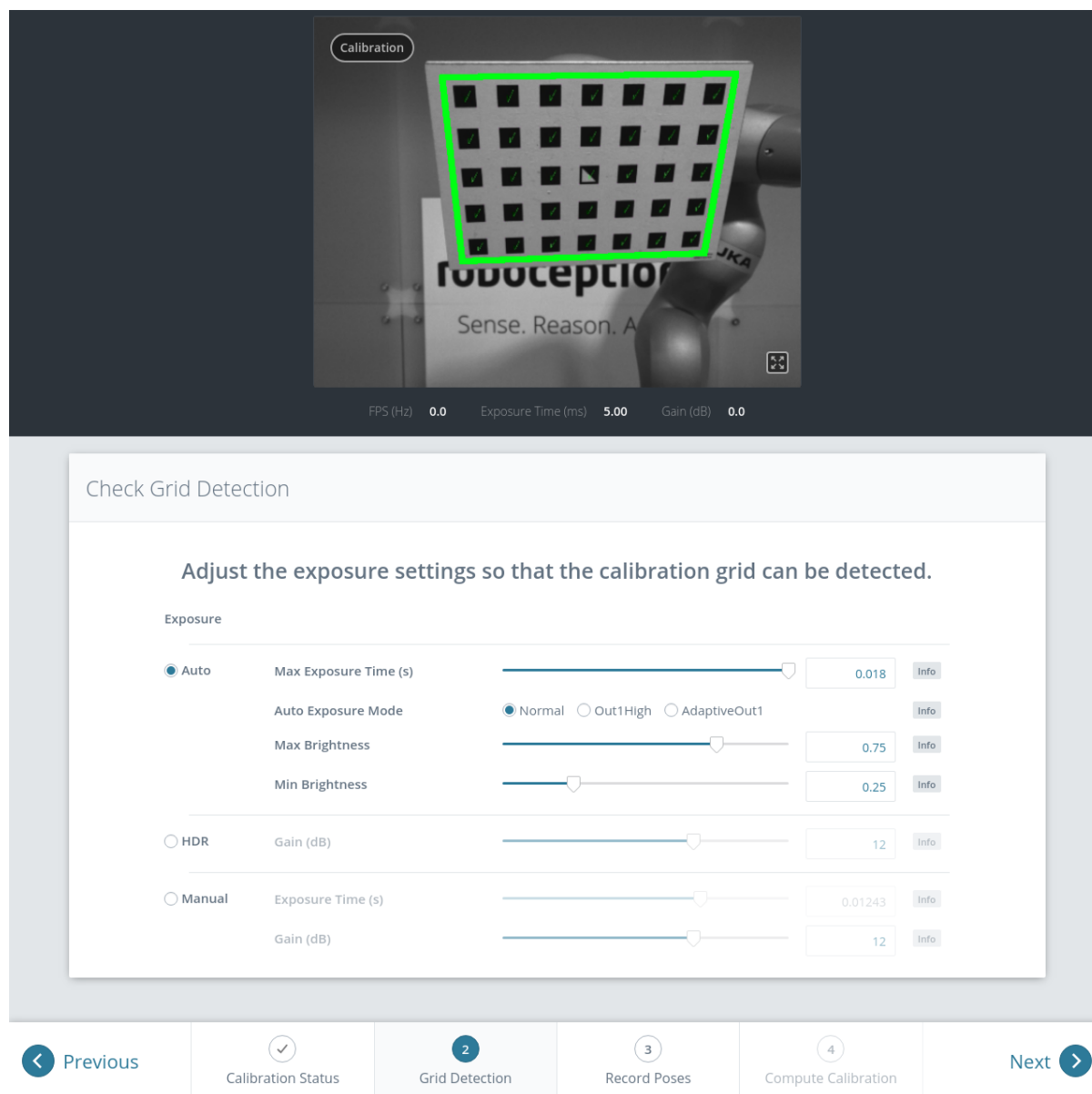


Fig. 6.23: Checking the calibration grid detection

### Step 3: Record Poses

In this step, the user records images of the calibration grid at several different robot poses. These poses must each ensure that the calibration grid is completely visible in the left camera image. Furthermore, the robot poses need to be selected properly to achieve a variety of different perspectives for the camera to perceive the calibration grid. Fig. 6.24 shows a schematic recommendation of four different grid positions which should be recorded from a close and a far point of view, resulting in eight images for the calibration.

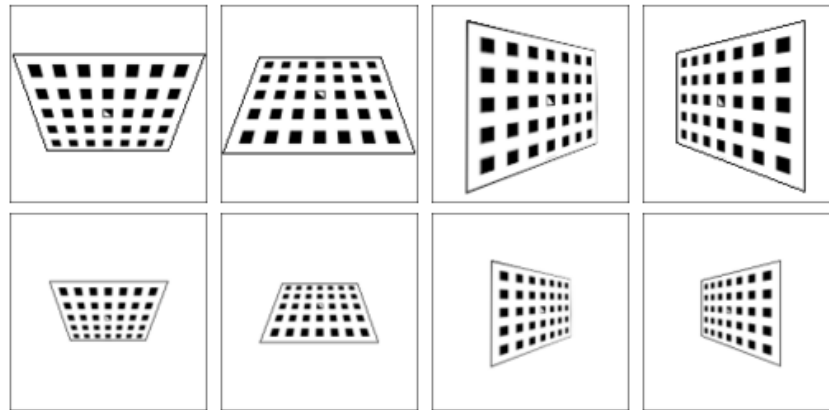


Fig. 6.24: Recommended views on the calibration grid during the calibration procedure. In case of a 4DOF robot, other views have to be chosen, which should be as different as possible.

**Warning:** Calibration quality, i.e., the accuracy of the calculated calibration result, depends on the calibration-grid views provided. The more diverse the perspectives are, the better is the calibration. Choosing very similar views, i.e., varying the robot pose only slightly before recording a new calibration pose, may lead to inaccurate estimation of the desired calibration transformation.

After the robot reaches each calibration pose, the corresponding pose  $T_{robot}^{ext}$  of the user-defined *robot* frame in the user-defined external reference frame *ext* needs to be reported to the hand-eye calibration module. For this purpose, the module offers different *slots* to store the reported poses and the corresponding left camera images. All filled slots will then be used to calculate the desired calibration transformation between the *camera* frame and either the user-defined *robot* frame (robot-mounted camera) or the user-defined external reference frame *ext* (static camera).

In the Web GUI, the user can choose between many different pose formats for providing the calibration poses (see [Pose formats](#), Section 13.1). When calibrating using the REST-API, the poses are always given in *XYZ+quaternion*. The Web GUI offers eight slots (*Close View 1*, *Close View 2*, etc.) for the user to fill manually with robot poses. Next to each slot, a figure suggests a respective dedicated viewpoint on the grid. For each slot, the robot should be operated to achieve the suggested view.

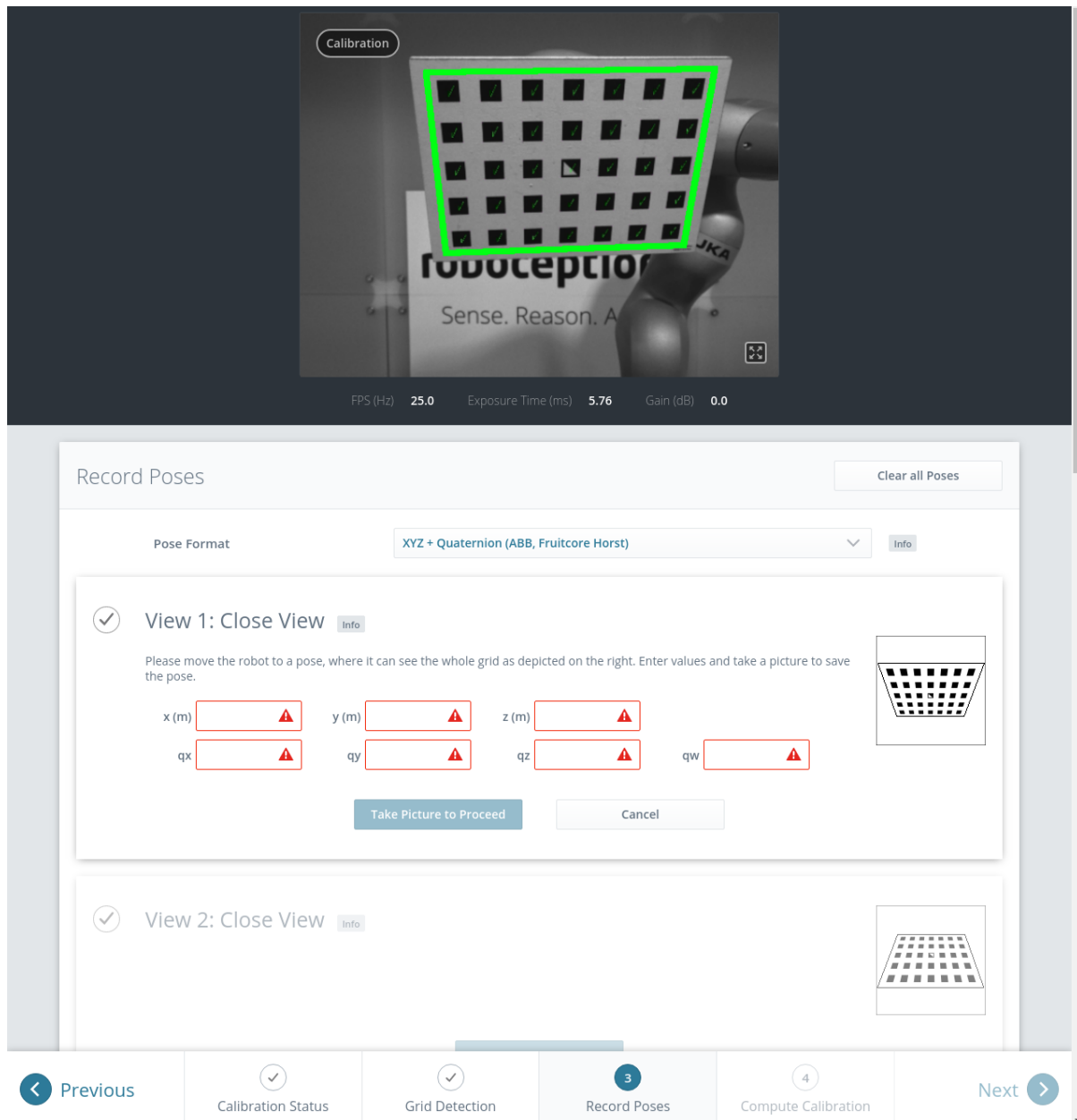


Fig. 6.25: Filling the first slot in the hand-eye calibration process for a statically mounted camera

To record a calibration pose, click on *Set Pose* for the respective slot and enter the *robot* frame's pose into the respective text fields. The pose is then stored with the corresponding camera image by clicking the *Take Picture to Proceed* button. This will save the calibration pose in the respective slot.

To transmit the poses programmatically, the module's REST-API offers the `set_pose` service call (see [Services](#), Section 6.3.1.5).

**Note:** The user's acquisition of robot pose data depends on the robot model and manufacturer – it might be read from a teaching or handheld device, which is shipped with the robot.

**Warning:** Please be careful to correctly and accurately enter the values; even small variations or typos may lead to calibration-process failure.

The Web GUI displays the currently saved poses (only with slot numbers from 0 to 7) with their camera

images and also allows to delete them by clicking *Delete Pose* to remove a single pose, or clicking *Clear all Poses* to remove all poses. In the REST-API the currently stored poses can be retrieved via `get_poses` and removed via `delete_poses` for single poses or `reset_calibration` for removing all poses (see [Services](#), Section 6.3.1.5).

When at least four poses are set, the user can continue to the computation of the calibration result by pressing *Next*.

**Note:** To successfully calculate the hand-eye calibration transformation, at least four different robot calibration poses need to be reported and stored in slots. However, to prevent errors induced by possible inaccurate measurements, at least **eight calibration poses are recommended**.

#### Step 4: Compute Calibration

Before computing the calibration result, the user has to provide the correct calibration parameters. These include the exact calibration grid dimensions and the sensor mounting type. The Web GUI also offers settings for calibrating 4DOF robots. In this case, the rotation axis, as well as the offset from the TCP to the camera coordinate system (robot-mounted camera) or grid surface (statically mounted camera) must be given. For the REST-API, the respective parameters are listed in [Parameters](#) (Section 6.3.1.4).

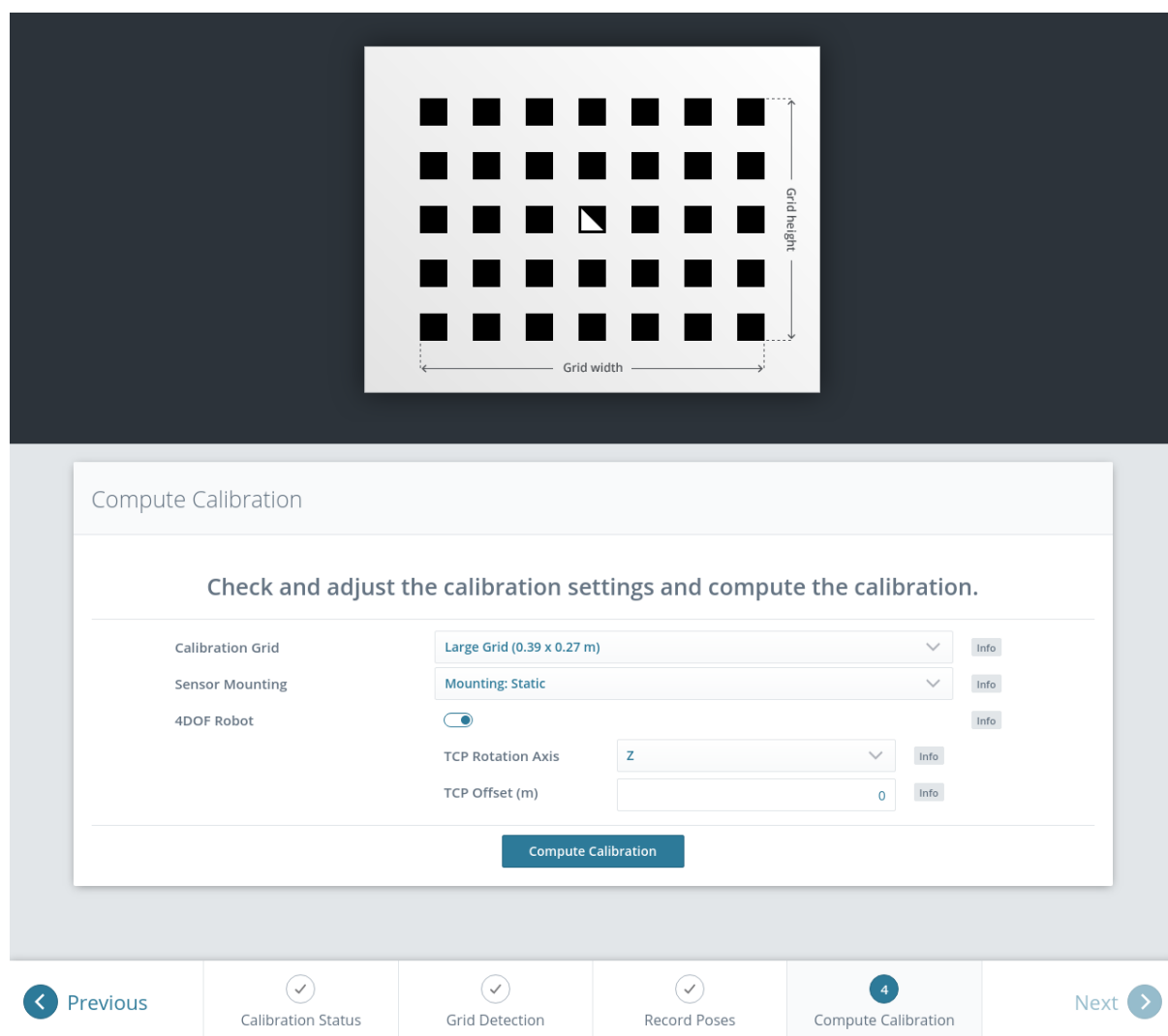


Fig. 6.26: Defining hand-eye calibration parameters and computing the calibration result via the *rc\_visard NG*'s Web GUI



When the parameters are correct, the desired calibration transformation can be computed from the collected poses and camera images by clicking *Compute Calibration*. The REST-API offers this functionality via the `calibrate` service call (see [Services](#), Section 6.3.1.5).

Depending on the way the camera is mounted, the calibration result contains the transformation (i.e., the pose) between the *camera* frame and either the user-defined *robot* frame (robot-mounted camera) or the user-defined external reference frame *ext* (statically mounted camera); see [Camera mounting](#) (Section 6.3.1.2).

To enable users to judge the quality of the resulting calibration transformation, the translational and rotational calibration errors are reported, which are computed from the variance of the calibration result.

If the calibration error is not acceptable, the user can change the calibration parameters and recompute the result, or return to step 3 of the calibration procedure and add more poses or update poses.

To save the calibration result, press *Save Calibration* or use the REST-API `save_calibration` service call (see [Services](#), Section 6.3.1.5).

### 6.3.1.4 Parameters

The hand-eye calibration module is called `rc_hand_eye_calibration` in the REST-API and is represented in the [Web GUI](#) (Section 7.1) under *Configuration* → *Hand-Eye Calibration*. The user can change the calibration parameters there or use the [REST-API interface](#) (Section 7.3).

#### Parameter overview

This module offers the following run-time parameters:

Table 6.35: The `rc_hand_eye_calibration` module's run-time parameters

Name	Type	Min	Max	Default	Description
<code>grid_height</code>	float64	0.0	10.0	0.0	The height of the calibration pattern in meters
<code>grid_width</code>	float64	0.0	10.0	0.0	The width of the calibration pattern in meters
<code>robot_mounted</code>	bool	false	true	true	Whether the camera is mounted on the robot
<code>tag_ids</code>	string	-	-	-	Optional, comma separated list of AprilTag IDs that will be calibrated too
<code>tcp_offset</code>	float64	-10.0	10.0	0.0	Offset from TCP along <code>tcp_rotation_axis</code>
<code>tcp_rotation_axis</code>	int32	-1	2	-1	-1 for off, 0 for x, 1 for y, 2 for z

#### Description of run-time parameters

The parameter descriptions are given with the corresponding Web GUI names in brackets.

##### `grid_width` (*Width*)

Width of the calibration grid in meters. The width should be given with a very high accuracy, preferably with sub-millimeter accuracy.

Via the REST-API, this parameter can be set as follows.

##### API version 2

```
PUT http://<host>/api/v2/pipelines/0/nodes/rc_hand_eye_calibration/services/parameters?
↪grid_width=<value>
```

**API version 1 (deprecated)**

```
PUT http://<host>/api/v1/nodes/rc_hand_eye_calibration/parameters?grid_width=<value>
```

**grid\_height (Height)**

Height of the calibration grid in meters. The height should be given with a very high accuracy, preferably with sub-millimeter accuracy.

Via the REST-API, this parameter can be set as follows.

**API version 2**

```
PUT http://<host>/api/v2/pipelines/0/nodes/rc_hand_eye_calibration/services/parameters?  
↔grid_height=<value>
```

**API version 1 (deprecated)**

```
PUT http://<host>/api/v1/nodes/rc_hand_eye_calibration/parameters?grid_height=<value>
```

**robot\_mounted (Sensor Mounting)**

If set to *true*, the camera is mounted on the robot. If set to *false*, the camera is mounted statically and the calibration grid is mounted on the robot.

Via the REST-API, this parameter can be set as follows.

**API version 2**

```
PUT http://<host>/api/v2/pipelines/0/nodes/rc_hand_eye_calibration/services/parameters?  
↔robot_mounted=<value>
```

**API version 1 (deprecated)**

```
PUT http://<host>/api/v1/nodes/rc_hand_eye_calibration/parameters?robot_mounted=<value>
```

**tcp\_offset (TCP Offset)**

The signed offset from the TCP to the camera coordinate system (robot-mounted sensor) or the visible surface of the calibration grid (statically mounted sensor) along the TCP rotation axis in meters. This is required if the robot's movement is constrained and it can rotate its TCP only around one axis (e.g., 4DOF robot).

Via the REST-API, this parameter can be set as follows.

**API version 2**

```
PUT http://<host>/api/v2/pipelines/0/nodes/rc_hand_eye_calibration/services/parameters?  
↔tcp_offset=<value>
```

**API version 1 (deprecated)**

```
PUT http://<host>/api/v1/nodes/rc_hand_eye_calibration/parameters?tcp_offset=<value>
```

**tcp\_rotation\_axis (TCP Rotation Axis)**

The axis of the *robot* frame around which the robot can rotate its TCP. 0 is used for X, 1 for Y and 2 for the Z axis. This is required if the robot's movement is constrained and it can rotate its TCP only around one axis (e.g., 4DOF robot). -1 means that the robot can rotate its TCP around two independent rotation axes. `tcp_offset` is ignored in this case.

Via the REST-API, this parameter can be set as follows.

**API version 2**

```
PUT http://<host>/api/v2/pipelines/0/nodes/rc_hand_eye_calibration/services/parameters?
↔tcp_rotation_axis=<value>
```

**API version 1 (deprecated)**

```
PUT http://<host>/api/v1/nodes/rc_hand_eye_calibration/parameters?tcp_rotation_axis=
↔<value>
```

**6.3.1.5 Services**

The REST-API service calls offered to programmatically conduct the hand-eye calibration and to restore this module's parameters are explained below.

**get\_calibration**

returns the hand-eye calibration currently stored on the *rc\_visard NG*.

**Details**

This service can be called as follows.

**API version 2**

```
PUT http://<host>/api/v2/pipelines/0/nodes/rc_hand_eye_calibration/services/get_
↔calibration
```

**API version 1 (deprecated)**

```
PUT http://<host>/api/v1/nodes/rc_hand_eye_calibration/services/get_calibration
```

**Request**

This service has no arguments.

**Response**

The field `error` gives the calibration error in pixels which is computed from the translational error `translation_error_meter` and the rotational error `rotation_error_degree`. This value is only given for compatibility with older versions. The translational and rotational errors should be preferred.

Table 6.36: Return codes of the `get_calibration` service call

status	success	Description
0	true	returned valid calibration pose
2	false	calibration result is not available

The definition for the response with corresponding datatypes is:

```

{
  "name": "get_calibration",
  "response": {
    "error": "float64",
    "message": "string",
    "pose": {
      "orientation": {
        "w": "float64",
        "x": "float64",
        "y": "float64",
        "z": "float64"
      },
      "position": {
        "x": "float64",
        "y": "float64",
        "z": "float64"
      }
    },
    "robot_mounted": "bool",
    "rotation_error_degree": "float64",
    "status": "int32",
    "success": "bool",
    "tags": [
      {
        "id": "string",
        "pose": {
          "orientation": {
            "w": "float64",
            "x": "float64",
            "y": "float64",
            "z": "float64"
          },
          "position": {
            "x": "float64",
            "y": "float64",
            "z": "float64"
          }
        },
        "size": "float64"
      }
    ],
    "translation_error_meter": "float64"
  }
}

```

### remove\_calibration

removes the persistent hand-eye calibration on the *rc\_visard NG*. After this call the *get\_calibration* service reports again that no hand-eye calibration is available. This service call will also delete all the stored calibration poses and corresponding camera images in the slots.

#### Details

This service can be called as follows.

#### API version 2

```

PUT http://<host>/api/v2/pipelines/0/nodes/rc_hand_eye_calibration/services/remove_
↪calibration

```

#### API version 1 (deprecated)

```
PUT http://<host>/api/v1/nodes/rc_hand_eye_calibration/services/remove_calibration
```

**Request**

This service has no arguments.

**Response**

Table 6.37: Return codes of the get\_calibration service call

status	success	Description
0	true	removed persistent calibration, device reports as uncalibrated
1	true	no persistent calibration found, device reports as uncalibrated
2	false	could not remove persistent calibration

The definition for the response with corresponding datatypes is:

```
{
  "name": "remove_calibration",
  "response": {
    "message": "string",
    "status": "int32",
    "success": "bool"
  }
}
```

**set\_pose**

allows to provide a robot pose as calibration pose to the hand-eye calibration routine and records the current image of the calibration grid.

**Details**

This service can be called as follows.

**API version 2**

```
PUT http://<host>/api/v2/pipelines/0/nodes/rc_hand_eye_calibration/services/set_pose
```

**API version 1 (deprecated)**

```
PUT http://<host>/api/v1/nodes/rc_hand_eye_calibration/services/set_pose
```

**Request**

The slot argument is used to assign unique numbers to the different calibration poses. The range for slot is from 0 to 15. At each instant when set\_pose is called, an image is recorded. This service call fails if the grid was undetectable in the current image.

The definition for the request arguments with corresponding datatypes is:

```
{
  "args": {
    "pose": {
      "orientation": {
        "w": "float64",
        "x": "float64",
        "y": "float64",
        "z": "float64"
      },
    },
    "position": {
```

(continues on next page)

(continued from previous page)

```

        "x": "float64",
        "y": "float64",
        "z": "float64"
    }
},
"slot": "uint32"
}
}

```

**Response**

Table 6.38: Return codes of the set\_pose service call

status	success	Description
1	true	pose stored successfully
3	true	pose stored successfully; collected enough poses for calibration, i.e., ready to calibrate
4	false	calibration grid was not detected, e.g., not fully visible in camera image
8	false	no image data available
12	false	given orientation values are invalid
13	false	invalid slot number

The field overexposed indicates if parts of the calibration grid were overexposed in this image.

The definition for the response with corresponding datatypes is:

```

{
  "name": "set_pose",
  "response": {
    "message": "string",
    "overexposed": "bool",
    "status": "int32",
    "success": "bool"
  }
}

```

**get\_poses**

returns the robot poses that are currently stored for the hand-eye calibration routine.

**Details**

This service can be called as follows.

**API version 2**

```
PUT http://<host>/api/v2/pipelines/0/nodes/rc_hand_eye_calibration/services/get_poses
```

**API version 1 (deprecated)**

```
PUT http://<host>/api/v1/nodes/rc_hand_eye_calibration/services/get_poses
```

**Request**

This service has no arguments.

**Response**

Table 6.39: Return codes of the get\_poses service call

status	success	Description
0	true	stored poses are returned
1	true	no calibration pose available

The field overexposed indicates if parts of the calibration grid were overexposed in this image.

The definition for the response with corresponding datatypes is:

```
{
  "name": "get_poses",
  "response": {
    "message": "string",
    "poses": [
      {
        "overexposed": "bool",
        "pose": {
          "orientation": {
            "w": "float64",
            "x": "float64",
            "y": "float64",
            "z": "float64"
          },
          "position": {
            "x": "float64",
            "y": "float64",
            "z": "float64"
          }
        },
        "slot": "uint32",
        "tag_ids": [
          "string"
        ]
      }
    ],
    "status": "int32",
    "success": "bool"
  }
}
```

### delete\_poses

deletes the calibration poses and corresponding images with the specified slots.

#### Details

This service can be called as follows.

#### API version 2

```
PUT http://<host>/api/v2/pipelines/0/nodes/rc_hand_eye_calibration/services/delete_
↔poses
```

#### API version 1 (deprecated)

```
PUT http://<host>/api/v1/nodes/rc_hand_eye_calibration/services/delete_poses
```

#### Request

The `slots` argument specifies which calibration poses should be deleted. If no slots are provided, nothing will be deleted.

The definition for the request arguments with corresponding datatypes is:

```
{
  "args": {
    "slots": [
      "uint32"
    ]
  }
}
```

### Response

Table 6.40: Return codes of the `delete_poses` service call

status	success	Description
0	true	poses successfully deleted
1	true	no slots given

The definition for the response with corresponding datatypes is:

```
{
  "name": "delete_poses",
  "response": {
    "message": "string",
    "status": "int32",
    "success": "bool"
  }
}
```

## reset\_calibration

deletes all previously provided poses and corresponding images. The last saved calibration result is reloaded. This service might be used to (re-)start the hand-eye calibration from scratch.

### Details

This service can be called as follows.

#### API version 2

```
PUT http://<host>/api/v2/pipelines/0/nodes/rc_hand_eye_calibration/services/reset_
↪calibration
```

#### API version 1 (deprecated)

```
PUT http://<host>/api/v1/nodes/rc_hand_eye_calibration/services/reset_calibration
```

### Request

This service has no arguments.

### Response

The definition for the response with corresponding datatypes is:

```
{
  "name": "reset_calibration",
  "response": {
```

(continues on next page)



(continued from previous page)

```

    "message": "string",
    "status": "int32",
    "success": "bool"
  }
}

```

## calibrate

calculates and returns the hand-eye calibration transformation with the robot poses configured by the `set_pose` service.

### Details

`save_calibration` must be called to make the calibration available for other modules via the `get_calibration` service call and to store it persistently.

**Note:** For calculating the hand-eye calibration transformation at least four robot calibration poses are required (see `set_pose` service). However, eight calibration poses are recommended.

This service can be called as follows.

### API version 2

```
PUT http://<host>/api/v2/pipelines/0/nodes/rc_hand_eye_calibration/services/calibrate
```

### API version 1 (deprecated)

```
PUT http://<host>/api/v1/nodes/rc_hand_eye_calibration/services/calibrate
```

### Request

This service has no arguments.

### Response

The field `error` gives the calibration error in pixels which is computed from the translational error `translation_error_meter` and the rotational error `rotation_error_degree`. This value is only given for compatibility with older versions. The translational and rotational errors should be preferred.

Table 6.41: Return codes of the `calibrate` service call

status	success	Description
0	true	calibration successful, returned calibration result
1	false	not enough poses to perform calibration
2	false	calibration result is invalid, please verify the input data
3	false	given calibration grid dimensions are not valid
4	false	insufficient rotation, <code>tcp_offset</code> and <code>tcp_rotation_axis</code> must be specified
5	false	sufficient rotation available, <code>tcp_rotation_axis</code> must be set to -1
6	false	poses are not distinct enough from each other

The definition for the response with corresponding datatypes is:

```

{
  "name": "calibrate",
  "response": {
    "error": "float64",

```

(continues on next page)

(continued from previous page)

```

"message": "string",
"pose": {
  "orientation": {
    "w": "float64",
    "x": "float64",
    "y": "float64",
    "z": "float64"
  },
  "position": {
    "x": "float64",
    "y": "float64",
    "z": "float64"
  }
},
"robot_mounted": "bool",
"rotation_error_degree": "float64",
"status": "int32",
"success": "bool",
"tags": [
  {
    "id": "string",
    "pose": {
      "orientation": {
        "w": "float64",
        "x": "float64",
        "y": "float64",
        "z": "float64"
      },
      "position": {
        "x": "float64",
        "y": "float64",
        "z": "float64"
      }
    },
    "size": "float64"
  }
],
"translation_error_meter": "float64"
}
}

```

### save\_calibration

persistently saves the result of hand-eye calibration to the *rc\_visard NG* and overwrites the existing one. The stored result can be retrieved any time by the *get\_calibration* service. This service call will also delete all the stored calibration poses and corresponding camera images in the slots.

#### Details

This service can be called as follows.

#### API version 2

```
PUT http://<host>/api/v2/pipelines/0/nodes/rc_hand_eye_calibration/services/save_
↪calibration
```

#### API version 1 (deprecated)

```
PUT http://<host>/api/v1/nodes/rc_hand_eye_calibration/services/save_calibration
```

**Request**

This service has no arguments.

**Response**

Table 6.42: Return codes of the save\_calibration service call

status	success	Description
0	true	calibration saved successfully
1	false	could not save calibration file
2	false	calibration result is not available

The definition for the response with corresponding datatypes is:

```
{
  "name": "save_calibration",
  "response": {
    "message": "string",
    "status": "int32",
    "success": "bool"
  }
}
```

**set\_calibration**

sets the hand-eye calibration transformation with arguments of this call.

**Details**

The calibration transformation is expected in the same format as returned by the calibrate and get\_calibration calls. The given calibration information is also stored persistently on the sensor by internally calling save\_calibration.

This service can be called as follows.

**API version 2**

```
PUT http://<host>/api/v2/pipelines/0/nodes/rc_hand_eye_calibration/services/set_
↔calibration
```

**API version 1 (deprecated)**

```
PUT http://<host>/api/v1/nodes/rc_hand_eye_calibration/services/set_calibration
```

**Request**

The definition for the request arguments with corresponding datatypes is:

```
{
  "args": {
    "pose": {
      "orientation": {
        "w": "float64",
        "x": "float64",
        "y": "float64",
        "z": "float64"
      },
      "position": {
        "x": "float64",
        "y": "float64",
        "z": "float64"
      }
    }
  }
}
```

(continues on next page)

(continued from previous page)

```

    }
  },
  "robot_mounted": "bool",
  "tags": [
    {
      "id": "string",
      "pose": {
        "orientation": {
          "w": "float64",
          "x": "float64",
          "y": "float64",
          "z": "float64"
        },
        "position": {
          "x": "float64",
          "y": "float64",
          "z": "float64"
        }
      },
      "size": "float64"
    }
  ]
}
}
}

```

**Response**

Table 6.43: Return codes of the set\_calibration service call

status	success	Description
0	true	setting the calibration transformation was successful
12	false	given orientation values are invalid

The definition for the response with corresponding datatypes is:

```

{
  "name": "set_calibration",
  "response": {
    "message": "string",
    "status": "int32",
    "success": "bool"
  }
}

```

**reset\_defaults**

restores and applies the default values for this module's parameters ("factory reset"). Does not affect the calibration result itself or any of the slots saved during calibration. Only parameters such as the grid dimensions and the mount type will be reset.

**Details**

This service can be called as follows.

**API version 2**

```
PUT http://<host>/api/v2/pipelines/0/nodes/rc_hand_eye_calibration/services/reset_
↪defaults
```

**API version 1 (deprecated)**

```
PUT http://<host>/api/v1/nodes/rc_hand_eye_calibration/services/reset_defaults
```

**Request**

This service has no arguments.

**Response**

The definition for the response with corresponding datatypes is:

```
{
  "name": "reset_defaults",
  "response": {
    "return_code": {
      "message": "string",
      "value": "int16"
    }
  }
}
```

## 6.3.2 CollisionCheck

### 6.3.2.1 Introduction

The CollisionCheck module is an optional on-board module of the *rc\_visard NG* and is licensed with any of the modules *ItemPick* (Section 6.2.4) and *BoxPick* (Section 6.2.5) or *CADMatch* (Abschnitt 6.2.7) und *SilhouetteMatch* (Abschnitt 6.2.6). Otherwise it requires a separate CollisionCheck *license* (Section 9.7) to be purchased.

The module provides an easy way to check if a gripper is in collision with a load carrier, the point cloud (only in combination with *CADMatch* (Abschnitt 6.2.7) und *SilhouetteMatch* (Abschnitt 6.2.6)), or other detected objects (only in combination with *CADMatch* (Abschnitt 6.2.7) und *SilhouetteMatch* (Abschnitt 6.2.6)). It is integrated with the *ItemPick* (Section 6.2.4) and *BoxPick* (Section 6.2.5) and *CADMatch* (Abschnitt 6.2.7) und *SilhouetteMatch* (Abschnitt 6.2.6) modules, but can be used as standalone product. The models of the grippers for collision checking have to be defined in the *GripperDB* (Section 6.4.3) module.

**Warning:** Collisions are checked only between the load carrier and the gripper, not the robot itself, the flange, other objects or the item located in the robot gripper. Only in combination with *CADMatch* (Abschnitt 6.2.7) und *SilhouetteMatch* (Abschnitt 6.2.6), and only in case the selected template contains a collision geometry and `check_collisions_with_matches` is enabled in the respective detection module, also collisions between the gripper and other *detected* objects will be checked. Collisions with objects that cannot be detected will not be checked. Only in combination with *CADMatch* (Abschnitt 6.2.7) und *SilhouetteMatch* (Abschnitt 6.2.6) and only if `check_collisions_with_point_cloud` is enabled in the respective detection module, collisions between the gripper and a watertight version of the point cloud will be checked.

Table 6.44: Specifications of the CollisionCheck module

Collision checking with	detected load carrier, detected objects (only <i>CADMatch</i> (Abschnitt 6.2.7) und <i>SilhouetteMatch</i> (Abschnitt 6.2.6)), baseplane (only <i>SilhouetteMatch</i> , Section 6.2.6), point cloud (only <i>CADMatch</i> (Abschnitt 6.2.7) und <i>SilhouetteMatch</i> (Abschnitt 6.2.6))
Collision checking available in	<i>ItemPick</i> (Section 6.2.4) and <i>BoxPick</i> (Section 6.2.5), <i>CADMatch</i> (Abschnitt 6.2.7) und <i>SilhouetteMatch</i> (Abschnitt 6.2.6)

### 6.3.2.2 Collision checking

#### Stand-alone collision checking

The `check_collisions` service call triggers collision checking between the chosen gripper and the provided load carriers for each of the provided grasps. Checking collisions with other objects or the point cloud is not possible with the stand-alone `check_collisions` service. The `CollisionCheck` module checks if the chosen gripper is in collision with at least one of the load carriers, when the TCP of the gripper is positioned in the grasp position. It is possible to check the collision with multiple load carriers simultaneously. The grasps which are in collision with any of the defined load carriers will be returned as colliding.

The `pre_grasp_offset` can be used for additional collision checking. The pre-grasp offset  $P_{off}$  is the offset between the grasp point  $P_{grasp}$  and the pre-grasp position  $P_{pre}$  in the grasp's coordinate frame (see Fig. 6.27). If the pre-grasp offset is defined, the grasp will be detected as colliding if the gripper is in collision at any point during motion from the pre-grasp position to the grasp position (assuming a linear movement).

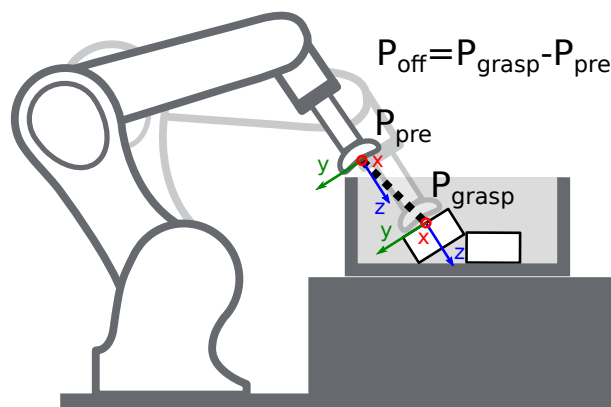


Fig. 6.27: Illustration of the pre-grasp offset parameter for collision checking. In this case, the pre-grasp position as well as the grasp position are collision free. However, the trajectory between these poses would have collisions. Thus, this grasp pose would be marked as colliding.

#### Collision checking within other modules

Collision checking is integrated in the following modules' services:

- *ItemPick* (Section 6.2.4): `compute_grasps` (see *compute\_grasps*, Section 6.2.4.7)
- *BoxPick* (Section 6.2.5): `compute_grasps` (see *compute\_grasps*, Section 6.2.5.8)
- *SilhouetteMatch* (Section 6.2.6): `detect_object` (see *detect\_object*, Section 6.2.6.11)
- *CADMatch* (Section 6.2.7): `detect_object` (see *detect\_object*, Section 6.2.7.10)

Each of these services can take a `collision_detection` argument consisting of the `grripper_id` of the default gripper and the `pre_grasp_offset` as described in the previous section *Stand-alone collision checking* (Section 6.3.2.2). The default gripper given by the `grripper_id` argument is only used for grasp points which do not have an individual gripper ID assigned. When the `collision_detection` argument is given, these services only return the grasps at which the gripper is not in collision or which could not be checked for collisions. When a load carrier ID is provided to these services, collision checking will always be performed between the gripper and the load carrier. Additional collision check features can be enabled depending on the module.

Only for *CADMatch* (Abschnitt 6.2.7) und *SilhouetteMatch* (Abschnitt 6.2.6), and only in case the selected template contains a collision geometry and `check_collisions_with_matches` is enabled in the respective detection module, grasp points at which the gripper would be in collision with other *detected*

objects are also rejected. The object on which the grasp point to be checked is located, is excluded from the collision check.

When a gripper is defined for a grasp point in the object template for *CADMatch* (Abschnitt 6.2.7) und *SilhouetteMatch* (Abschnitt 6.2.6), then this gripper will be used for collision checking at that specific grasp point instead of the default gripper defined in the `collision_detection` argument of the `detect_object` service (see *Setting of grasp points*, Section 6.2.6.4). The grasps returned by the `detect_object` service contain a flag `collision_checked`, indicating whether the grasp was checked for collisions, and the field `gripper_id`. If `collision_checked` is true, the returned `gripper_id` contains the ID of the gripper that was used for the collision check. That is the ID of the gripper defined for that specific grasp, or, if empty, the gripper that was given in the `collision_detection` argument of the request. If `collision_checked` is false, the returned `gripper_id` is the gripper ID that was defined for that grasp.

In *SilhouetteMatch*, Section 6.2.6, collisions between the gripper and the base plane can be checked, if `check_collisions_with_base_plane` is enabled in *SilhouetteMatch*.

Collisions between the gripper and a watertight version of the point cloud can be checked in *CADMatch* (Abschnitt 6.2.7) und *SilhouetteMatch* (Abschnitt 6.2.6) if `check_collisions_with_point_cloud` is enabled in the respective module.

**Warning:** Collisions are checked only between the load carrier and the gripper, not the robot itself, the flange or other objects. Only in combination with *CADMatch* (Abschnitt 6.2.7) und *SilhouetteMatch* (Abschnitt 6.2.6), and only in case the selected template contains a collision geometry and `check_collisions_with_matches` is enabled in the respective detection module, also collisions between the gripper and other *detected* objects are checked. Collisions with objects that cannot be detected will not be checked. Only in combination with *CADMatch* (Abschnitt 6.2.7) und *SilhouetteMatch* (Abschnitt 6.2.6), and only if `check_collisions_with_point_cloud` is enabled, collisions between the gripper and a watertight version of the point cloud are checked.

Only in combination with *CADMatch*, Section 6.2.7 and only if `check_collisions_during_retraction` is enabled in *CADMatch* and a load carrier and a pre-grasp offset are given, collisions between the object in the gripper and the walls of the given load carrier are checked along the linear trajectory from the grasp point to the pre-grasp pose.

The collision-check results are affected by run-time parameters, which are listed and explained further below.

### 6.3.2.3 Parameters

The `CollisionCheck` module is called `rc_collision_check` in the REST-API and is represented in the *Web GUI* (Section 7.1) under *Configuration* → *CollisionCheck*. The user can explore and configure the `rc_collision_check` module's run-time parameters, e.g. for development and testing, using the Web GUI or the *REST-API interface* (Section 7.3).

#### Parameter overview

This module offers the following run-time parameters:

Table 6.45: The `rc_collision_check` module's run-time parameters

Name	Type	Min	Max	Default	Description
<code>check_bottom</code>	bool	false	true	true	Whether to enable collision checking with the bottom of the load carrier
<code>check_flange</code>	bool	false	true	true	Whether all grasps with the flange inside the load carrier should be marked as colliding
<code>collision_dist</code>	float64	0.0	0.1	0.01	Minimum distance in meters between any element of the gripper and the load carrier or the base plane (only <code>SilhouetteMatch</code> ) for a collision-free grasp

### Description of run-time parameters

Each run-time parameter is represented by a row in the Web GUI's *Settings* section under *Configuration* → *CollisionCheck*. The name in the Web GUI is given in brackets behind the parameter name:

#### `collision_dist` (*Collision Distance*)

Minimal distance in meters between any part of the gripper and the load carrier and/or the base plane (only `SilhouetteMatch`) for a grasp to be considered collision free.

**Note:** The collision distance is not applied when checking collisions between the gripper and the point cloud, or the gripper and other detected objects. It is not applied when checking if the flange is inside the load carrier (`check_flange`), either.

Via the REST-API, this parameter can be set as follows.

#### API version 2

```
PUT http://<host>/api/v2/pipelines/0/nodes/rc_collision_check/parameters?collision_
↔dist=<value>
```

#### API version 1 (deprecated)

```
PUT http://<host>/api/v1/nodes/rc_collision_check/parameters?collision_dist=<value>
```

#### `check_flange` (*Check Flange*)

Performs an additional safety check as described in *Robot flange radius* (Section 6.4.3.2). If this parameter is set, all grasps in which any part of the robot's flange is inside the load carrier are marked as colliding.

Via the REST-API, this parameter can be set as follows.

#### API version 2

```
PUT http://<host>/api/v2/pipelines/0/nodes/rc_collision_check/parameters?check_flange=
↔<value>
```

#### API version 1 (deprecated)

```
PUT http://<host>/api/v1/nodes/rc_collision_check/parameters?check_flange=<value>
```



**check\_bottom** (*Check Bottom*)

When this check is enabled the collisions will be checked not only with the side walls of the load carrier but also with its bottom. It might be necessary to disable this check if the TCP is inside the collision geometry (e.g. is defined inside a suction cup).

The load carrier bottom will always be excluded for the collision check between the object in the gripper and the load carrier during retraction in combination with *CADMatch*, Section 6.2.7 when `check_collisions_during_retraction` is enabled.

Via the REST-API, this parameter can be set as follows.

**API version 2**

```
PUT http://<host>/api/v2/pipelines/0/nodes/rc_collision_check/parameters?check_bottom=
-><value>
```

**API version 1 (deprecated)**

```
PUT http://<host>/api/v1/nodes/rc_collision_check/parameters?check_bottom=<value>
```

**6.3.2.4 Status values**

The `rc_collision_check` module reports the following status values:

Table 6.46: The `rc_collision_check` module status values

Name	Description
<code>last_evaluated_grasps</code>	Number of evaluated grasps
<code>last_collision_free_grasps</code>	Number of collision-free grasps
<code>collision_check_time</code>	Collision checking runtime

**6.3.2.5 Services**

The user can explore and call the `rc_collision_check` module's services, e.g. for development and testing, using *REST-API interface* (Section 7.3) or the *rc\_visard NG Web GUI* (Section 7.1).

The CollisionCheck module offers the following services.

**reset\_defaults**

Resets all parameters of the module to its default values, as listed in above table.

**Details**

This service can be called as follows.

**API version 2**

```
PUT http://<host>/api/v2/pipelines/0/nodes/rc_collision_check/services/reset_defaults
```

**API version 1 (deprecated)**

```
PUT http://<host>/api/v1/nodes/rc_collision_check/services/reset_defaults
```

**Request**

This service has no arguments.

**Response**

The definition for the response with corresponding datatypes is:

```

{
  "name": "reset_defaults",
  "response": {
    "return_code": {
      "message": "string",
      "value": "int16"
    }
  }
}

```

### check\_collisions (deprecated)

Triggers a collision check between a gripper and a load carrier.

#### Details

This service can be called as follows.

#### API version 2

```
PUT http://<host>/api/v2/pipelines/0/nodes/rc_collision_check/services/check_collisions
```

#### API version 1 (deprecated)

```
PUT http://<host>/api/v1/nodes/rc_collision_check/services/check_collisions
```

#### Request

Required arguments:

`grasps`: list of grasps that should be checked.

`load_carriers`: list of load carriers against which the collision should be checked. The fields of the load carrier definition are described in [Detection of load carriers](#) (Section 6.2.2.2). The position frame of the grasps and load carriers has to be the same.

`gripper_id`: the id of the gripper that is used to check the collisions. The gripper has to be configured beforehand.

Optional arguments:

`pre_grasp_offset`: the offset in meters from the grasp position to the pre-grasp position in the grasp frame. If this argument is set, the collisions will not only be checked in the grasp point, but also on the path from the pre-grasp position to the grasp position (assuming a linear movement).

The definition for the request arguments with corresponding datatypes is:

```

{
  "args": {
    "grasps": [
      {
        "pose": {
          "orientation": {
            "w": "float64",
            "x": "float64",
            "y": "float64",
            "z": "float64"
          },
          "position": {
            "x": "float64",
            "y": "float64",

```

(continues on next page)

(continued from previous page)

```

        "z": "float64"
    }
},
"pose_frame": "string",
"uuid": "string"
}
],
"gripper_id": "string",
"load_carriers": [
{
    "id": "string",
    "inner_dimensions": {
        "x": "float64",
        "y": "float64",
        "z": "float64"
    },
    "outer_dimensions": {
        "x": "float64",
        "y": "float64",
        "z": "float64"
    },
    "pose": {
        "orientation": {
            "w": "float64",
            "x": "float64",
            "y": "float64",
            "z": "float64"
        },
        "position": {
            "x": "float64",
            "y": "float64",
            "z": "float64"
        }
    },
    "pose_frame": "string",
    "rim_thickness": {
        "x": "float64",
        "y": "float64"
    }
}
],
"pre_grasp_offset": {
    "x": "float64",
    "y": "float64",
    "z": "float64"
}
}
}
}

```

**Response**

colliding\_grasps: list of grasps in collision with one or more load carriers.

collision\_free\_grasps: list of collision-free grasps.

return\_code: holds possible warnings or error codes and messages.

The definition for the response with corresponding datatypes is:

```

{
  "name": "check_collisions",
  "response": {

```

(continues on next page)

(continued from previous page)

```

"colliding_grasps": [
  {
    "pose": {
      "orientation": {
        "w": "float64",
        "x": "float64",
        "y": "float64",
        "z": "float64"
      },
      "position": {
        "x": "float64",
        "y": "float64",
        "z": "float64"
      }
    },
    "pose_frame": "string",
    "uuid": "string"
  }
],
"collision_free_grasps": [
  {
    "pose": {
      "orientation": {
        "w": "float64",
        "x": "float64",
        "y": "float64",
        "z": "float64"
      },
      "position": {
        "x": "float64",
        "y": "float64",
        "z": "float64"
      }
    },
    "pose_frame": "string",
    "uuid": "string"
  }
],
"return_code": {
  "message": "string",
  "value": "int16"
}
}
}

```

**set\_gripper (deprecated)**

Persistently stores a gripper on the *rc\_visard NG*.

**API version 2**

This service is not available in API version 2. Use *set\_gripper* (Section 6.4.3.3) in *rc\_gripper\_db* instead.

**API version 1 (deprecated)**

This service can be called as follows.

```
PUT http://<host>/api/v1/nodes/rc_collision_check/services/set_gripper
```

The definitions of the request and response are the same as described in [set\\_gripper](#) (Section 6.4.3.3) in rc\_gripper\_db.

### get\_grippers (deprecated)

Returns the configured grippers with the requested gripper\_ids.

#### API version 2

This service is not available in API version 2. Use [get\\_grippers](#) (Section 6.4.3.3) in rc\_gripper\_db instead.

#### API version 1 (deprecated)

This service can be called as follows.

```
PUT http://<host>/api/v1/nodes/rc_collision_check/services/get_grippers
```

The definitions of the request and response are the same as described in [get\\_grippers](#) (Section 6.4.3.3) in rc\_gripper\_db.

### delete\_grippers (deprecated)

Deletes the configured grippers with the requested gripper\_ids.

#### API version 2

This service is not available in API version 2. Use [delete\\_grippers](#) (Section 6.4.3.3) in rc\_gripper\_db instead.

#### API version 1 (deprecated)

This service can be called as follows.

```
PUT http://<host>/api/v1/nodes/rc_collision_check/services/delete_grippers
```

The definitions of the request and response are the same as described in [delete\\_grippers](#) (Section 6.4.3.3) in rc\_gripper\_db.

#### 6.3.2.6 Return codes

Each service response contains a return\_code, which consists of a value plus an optional message. A successful service returns with a return\_code value of 0. Negative return\_code values indicate that the service failed. Positive return\_code values indicate that the service succeeded with additional information. The smaller value is selected in case a service has multiple return\_code values, but all messages are appended in the return\_code message.

The following table contains a list of common codes:

Table 6.47: Return codes of the CollisionCheck services

Code	Description
0	Success
-1	An invalid argument was provided
-7	Data could not be read or written to persistent storage
-9	No valid license for the module
-10	New gripper could not be added as the maximum storage capacity of grippers has been exceeded
10	The maximum storage capacity of grippers has been reached
11	Existing gripper was overwritten

### 6.3.3 Camera calibration

The camera calibration module is a base module which is available on every *rc\_visard NG*.

To use the camera as measuring instrument, camera parameters such as focal length, lens distortion, and the relationship of the cameras to each other must be exactly known. The parameters are determined by calibration and used for image rectification (see [Rectification](#), Section 6.1.1.1), which is the basis for all other image processing modules.

The *rc\_visard NG* is calibrated at production time. Nevertheless, checking calibration and recalibration might be necessary if the *rc\_visard NG* was exposed to strong mechanical impact.

The camera calibration module is responsible for checking calibration and calibrating.

#### 6.3.3.1 Self-calibration

The camera calibration module automatically runs in self-calibration mode at a low frequency in the background. In this mode, the *rc\_visard NG* observes the alignment of image rows of both rectified images. A mechanical impact, such as one caused by dropping the *rc\_visard NG*, might result in a misalignment. If a significant misalignment is detected, then it is automatically corrected. After each reboot and after each correction, the current self-calibration offset is reported in the camera module's log file (see [Downloading log files](#), Section 9.8) as:

```
"rc_stereocalib: Current self-calibration offset is 0.00, update counter is 0"
```

The update counter is incremented after each automatic correction. It is reset to 0 after manual recalibration of the *rc\_visard NG*.

Under normal conditions, such as the absence of mechanical impact on the *rc\_visard NG*, self-calibration should never occur. Self-calibration allows the *rc\_visard NG* to work normally even after misalignment is detected, since it is automatically corrected. Nevertheless, recalibrating the camera manually is recommended if the update counter is not 0. The Web GUI displays a warning when self calibration has occurred.

#### 6.3.3.2 Calibration process

Manual calibration can be done through the [Web GUI](#) (Section 7.1) under *Configuration* → *Camera Calibration*. This page provides a wizard to guide the user through the calibration process.

**Note:** Camera calibration is normally unnecessary for the *rc\_visard NG* since it is calibrated at production time. Therefore, calibration is only required after strong mechanical impacts, such as occur when dropping the *rc\_visard NG*.

During calibration, the calibration grid must be detected in different poses. When holding the calibration grid, make sure that all black squares of the grid are completely visible and not occluded in both camera images. A green check mark overlays each correctly detected square. The correct detection of the grid is only possible if all of the black squares are detected. Some of the squares not being detected, or being detected only briefly might indicate bad lighting conditions, or a damaged grid. Squares in overexposed parts of the calibration grid are highlighted in red. In this case, the lighting conditions or exposure setting must be adjusted. A thick green border around the calibration grid indicates that it was detected correctly in both camera images.

#### Calibration settings

The quality of camera calibration heavily depends on the quality of the calibration grid. Calibration grids can be obtained from Roboception.

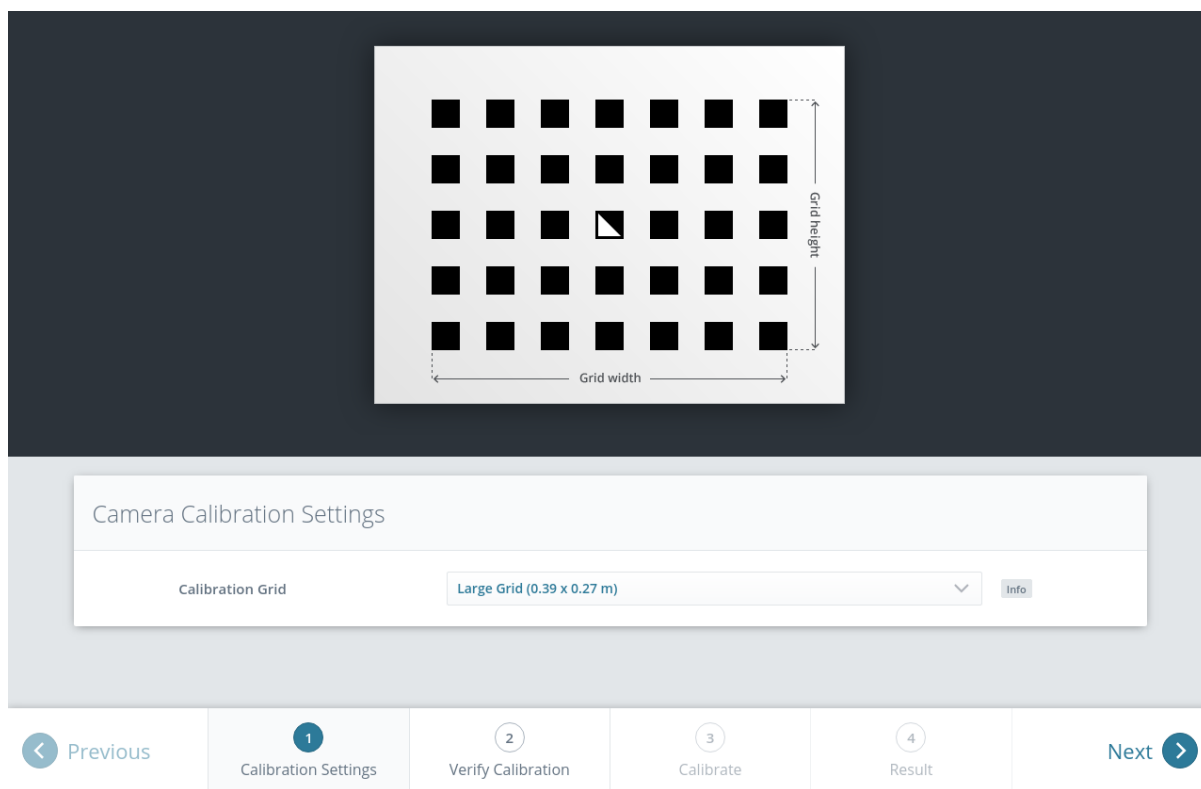


Fig. 6.28: Calibration settings

In the first step, the calibration grid must be specified. The *Next* button proceeds to the next step.

### Verify calibration

In the next step, the current calibration can be verified. To perform the verification, the grid must be held such that it is simultaneously visible in both cameras. When the grid is detected, the calibration error is automatically computed and the result is displayed on the screen.

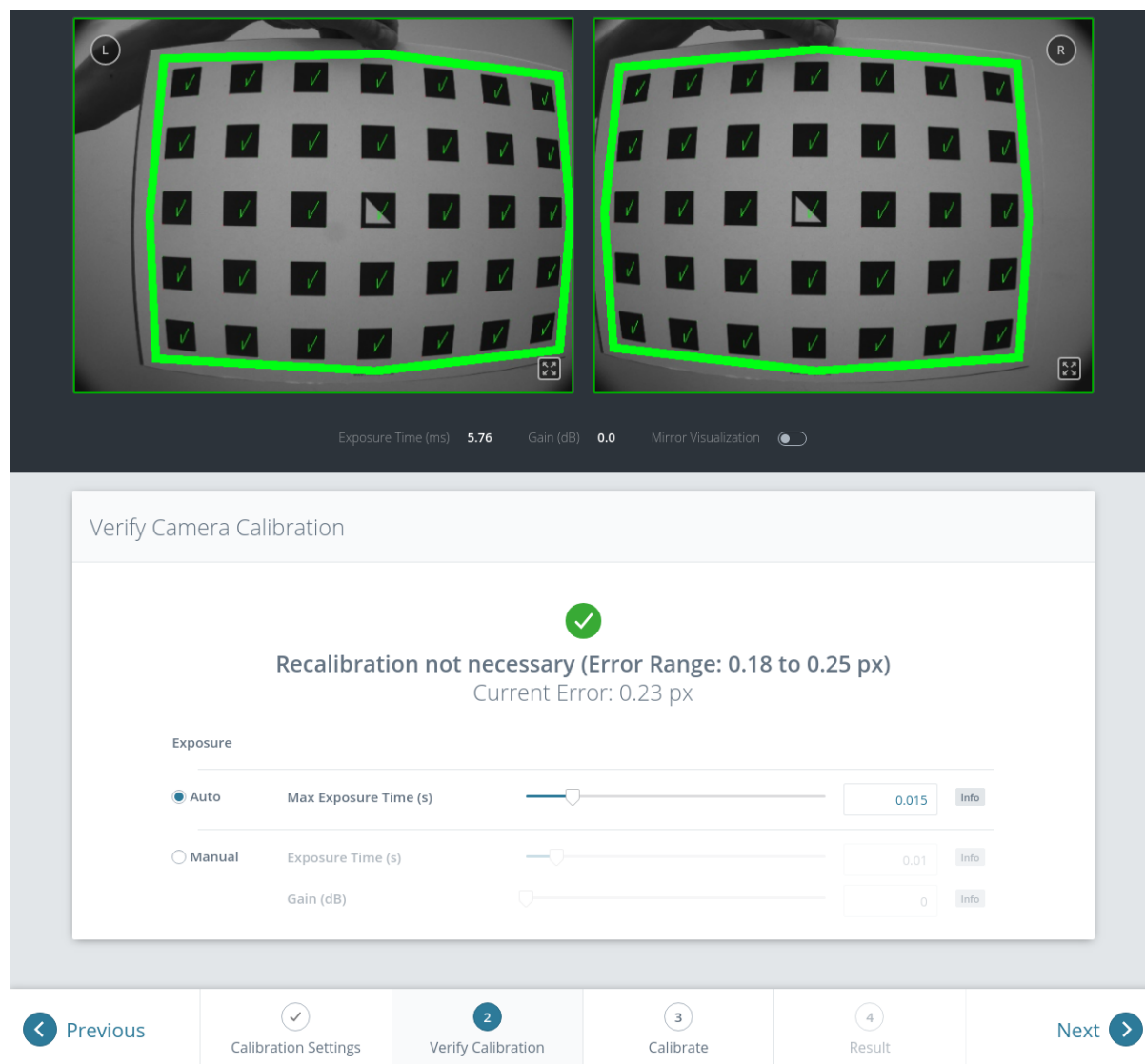


Fig. 6.29: Verification of calibration

**Note:** To compute a meaningful calibration error, the grid should be held as close as possible to the cameras. If the grid only covers a small section of the camera images, the calibration error will always be less than when the grid covers the full image. For this reason, the minimal and maximal calibration error during verification are shown in addition to the calibration error at the current grid position.

The typical calibration error is below 0.2 pixels. If the error is in this range, then the calibration procedure can be skipped. If the calibration error is greater, the calibration procedure should be performed to guarantee full sensor performance. The button *Next* starts the procedure.

**Warning:** A large error during verification can be due to miscalibrated cameras, an inaccurate calibration grid, or wrong grid width or height. In case you use a custom calibration grid, please make sure that the grid is accurate and the entered grid width and height are correct. Otherwise, manual calibration will actually decalibrate the cameras!



## Calibrate

The camera's exposure time should be set appropriately before starting the calibration. To achieve good calibration results, the images should be well-exposed and motion blur should be avoided. Thus, the maximum auto-exposure time should be as short as possible, but still allow a good exposure. The current exposure time is displayed below the camera images as shown in Fig. 6.31.

Full calibration consists of calibrating each camera individually (monocalibration) and then performing a stereo calibration to determine the relationship between them. In most cases, the intrinsic calibration of each camera does not get corrupted. For this reason, monocalibration is skipped by default during a recalibration, but can be performed by clicking *Perform Monocalibration* in the *Calibrate* tab. This should only be done if the result of the stereo calibration is not satisfactory.

## Stereo calibration

During stereo calibration, both cameras are calibrated to each other to find their relative rotation and translation.

The camera images can also be displayed mirrored to simplify the correct positioning of the calibration grid.

First, the grid should be held as close as possible to the camera and very still. It must be fully visible in both images and the cameras should look perpendicularly onto the grid. If the grid is not perpendicular to the line of sight of the cameras, this will be indicated by small green arrows pointing to the expected positions of the grid corners (see Fig. 6.30).

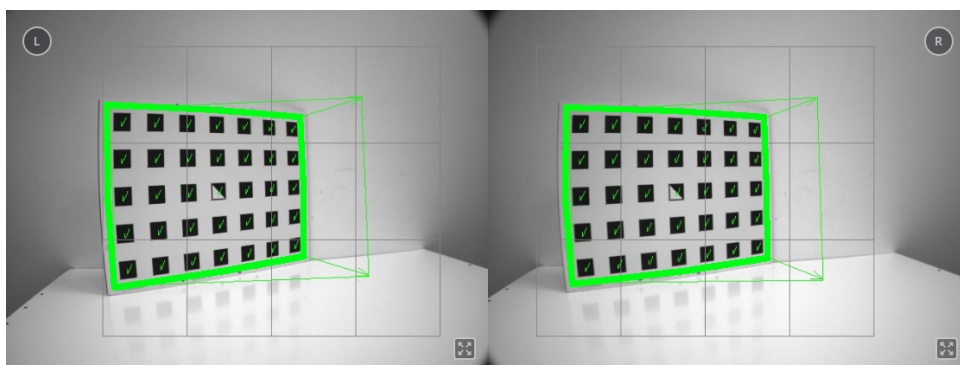


Fig. 6.30: Arrows indicating that the grid is not perpendicular to the camera's line of sight during stereo calibration

The grid must be kept very still for detection. If motion blur occurs, the grid will not be detected. All grid cells that are drawn onto the image have to be covered by the calibration grid. This is visualized by filling the covered cells in green (see Fig. 6.31).

For the *rc\_visard NG* all cells can be covered at once by holding the grid close enough.



Fig. 6.31: Stereo calibration: Hold the grid as close as possible to fill all visualized cells

**Note:** If the check marks on the calibration grid all vanish, then either the camera does not look perpendicularly onto the grid, or the grid is too far away from the camera.

Once all grid cells are covered, they disappear and a single far cell is visualized. Now, the grid should be held as far as possible from the cameras, so that the small cell is covered. Arrows will indicate if the grid is still too close to the camera. When the grid is successfully detected at the far pose, the cell is filled in green and the result can be computed (see Fig. 6.32).

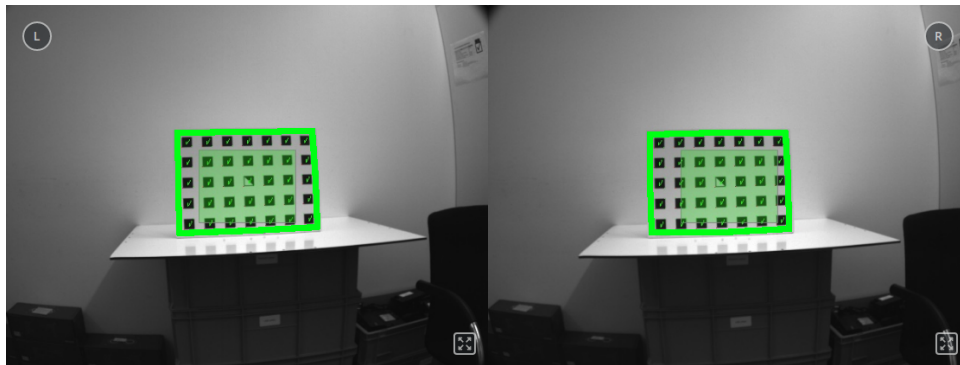


Fig. 6.32: Holding the grid far away during stereo calibration

If stereo calibration yields an unsatisfactory calibration error, then calibration should be repeated with monocalibration (see next Section [Monocalibration](#)).

### Monocalibration

Monocalibration is the intrinsic calibration of each camera individually. Since the intrinsic calibration normally does not get corrupted, the monocalibration should only be performed if the result of stereo calibration is not satisfactory.

Click *Perform Monocalibration* in the *Calibrate* tab to start monocalibration.

For monocalibration, the grid has to be held in certain poses. The arrows from the grid corners to the green areas indicate that all grid corners should be placed inside the green areas. The green areas are called sensitive areas. The *Size of Sensitive Area* slider can control their size to ease calibration. However, please be aware that increasing their size too much may result in slightly lower calibration accuracy.

Holding the grid upside down is a common mistake made during calibration. Spotting this in this case is easy because the green lines from the grid corners into the green areas will cross each other as shown in [Fig. 6.33](#).

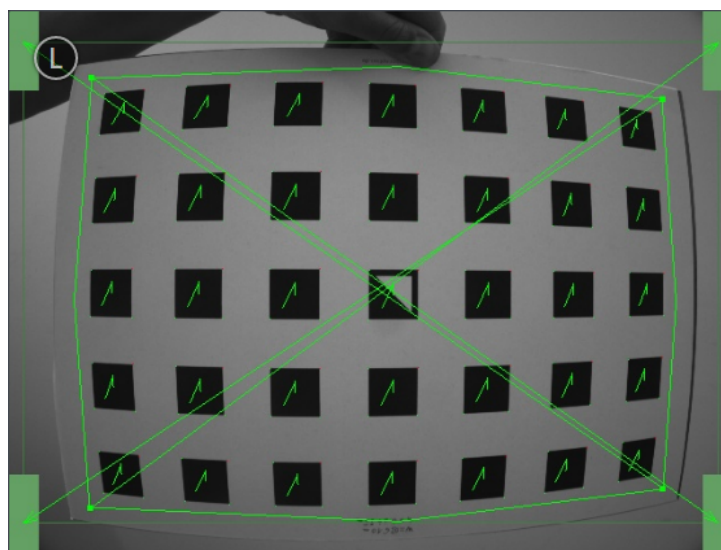


Fig. 6.33: Wrongly holding the grid upside down leads to crossed green lines.

**Note:** Calibration might appear cumbersome as it involves holding the grid in certain predefined poses. However, these poses are required to ensure an unbiased, high-quality calibration result.

The monocalibration process involves five poses for each camera as shown in Fig. 6.34.

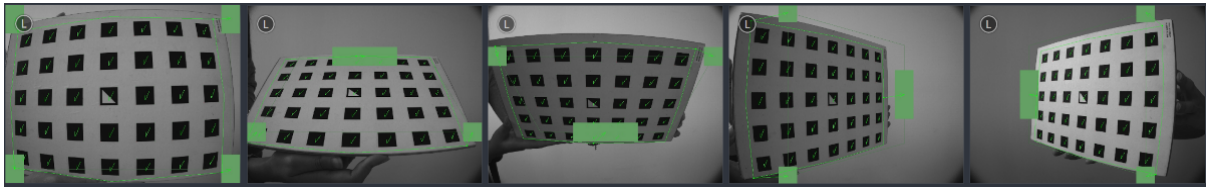


Fig. 6.34: Poses required for monocalibration

After the corners or sides of the grid are placed on top of the sensitive areas, the process automatically shows the next pose required. When the process is finished for the left camera, the same procedure is repeated for the right one.

Continue with the guidelines given in the previous Section [Stereo calibration](#).

### Storing the calibration result

Clicking the *Compute Calibration* button finishes the process and displays the final result. The indicated result is the mean reprojection error of all calibration points. It is given in pixels and typically has a value below 0.2.

Pressing *Save Calibration* applies the calibration and saves it to the device.

**Note:** The given result is the minimum error left after calibration. The real error is definitely not less than this, but could in theory be larger. This is true for every camera-calibration algorithm and the reason why we enforce holding the grid in very specific poses. Doing so ensures that the real calibration error cannot significantly exceed the reported error.

**Warning:** If a hand-eye calibration was stored on the *rc\_visard NG* before camera calibration, the hand-eye calibration values could have become invalid. Please repeat the hand-eye calibration procedure.

#### 6.3.3.3 Parameters

The module is called `rc_stereocalib` in the REST-API.

**Note:** The camera calibration module's available parameters and status values are for internal use only and may change in the future without further notice. Calibration should only be performed through the Web GUI as described above.

#### 6.3.3.4 Services

**Note:** The camera calibration module's available service calls are for internal use only and may change in the future without further notice. Calibration should only be performed through the Web GUI as described above.

### 6.3.4 IO and Projector Control

The IOControl module is an on-board module of the *rc\_visard*.

The IOControl module allows reading the status of the general purpose digital inputs and controlling the digital general purpose outputs (GPIOs) of the *rc\_visard*. The outputs can be set to LOW or HIGH, or configured to be HIGH for the exposure time of every image or every second image.

The purpose of the IOControl module is the control of an external light source or a projector, which is connected to one of the *rc\_visard*'s GPIOs to be synchronized by the image acquisition trigger. In case a pattern projector is used to improve stereo matching, the intensity images also show the projected pattern, which might be a disadvantage for image processing tasks that are based on the intensity image (e.g. edge detection). For this reason, the IOControl module allows setting GPIO outputs to HIGH for the exposure time of every second image, so that intensity images without the projected pattern are also available.

**Note:** For more details on the *rc\_visard NG*'s GPIOs please refer to [Wiring](#), Section 3.5.

#### 6.3.4.1 Parameters

The IOControl module is called `rc_iocontrol` in the REST-API and is represented in the [Web GUI](#) (Section 7.1) under *Configuration* → *IOControl*. The user can change the parameters via the Web GUI, the [REST-API interface](#) (Section 7.3), or via GigE Vision using the DigitalIOControl parameters `LineSelector` and `LineSource` ([Category: DigitalIOControl](#), Section 7.2.3.4).

#### Parameter overview

This module offers the following run-time parameters:

Table 6.48: The `rc_iocontrol` module's run-time parameters

Name	Type	Min	Max	Default	Description
<code>out1_mode</code>	string	-	-	Low	Out1 mode: [Low, High, ExposureActive, ExposureAlternateActive]
<code>out2_mode</code>	string	-	-	Low	Out2 mode: [Low, High, ExposureActive, ExposureAlternateActive]

#### Description of run-time parameters

##### `out1_mode` and `out2_mode` (*Out1* and *Out2*)

The output modes for GPIO Out 1 and Out 2 can be set individually:

Low sets the output permanently to LOW. This is the factory default.

High sets the output permanently to HIGH.

ExposureActive sets the output to HIGH for the exposure time of every image.

ExposureAlternateActive sets the output to HIGH for the exposure time of every second image.

Via the REST-API, this parameter can be set as follows.

##### API version 2

```
PUT http://<host>/api/v2/pipelines/0/nodes/rc_iocontrol/parameters/parameters?<out1_
mode|out2_mode>=<value>
```

**API version 1 (deprecated)**

```
PUT http://<host>/api/v1/nodes/rc_iocontrol/parameters?<out1_mode|out2_mode>=<value>
```

Fig. 6.35 shows which images are used for stereo matching and transmission via GigE Vision in ExposureActive mode with a user-defined frame rate of 8 Hz.

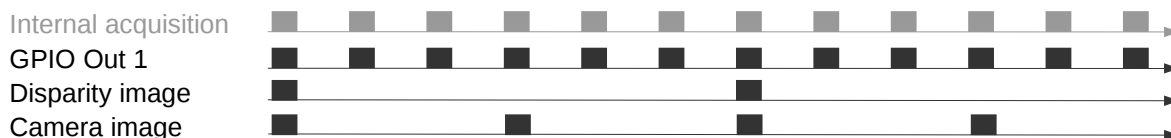


Fig. 6.35: Example of using the ExposureActive mode for GPIO Out 1 with a user-defined frame rate of 8 Hz. The internal image acquisition is always 25 Hz. GPIO Out 1 is HIGH for the exposure time of every image. A disparity image is computed for camera images that are sent out via GigE Vision according to the user-defined frame rate.

The mode ExposureAlternateActive is meant to be used when an external random dot projector is connected to the *rc\_visard*'s GPIO Out 1. When setting Out 1 to ExposureAlternateActive, the *stereo matching* (Section 6.1.2) module only uses images with GPIO Out 1 being HIGH, i.e. projector is on. The maximum frame rate that is used for stereo matching is therefore half of the frame rate configured by the user (see *FPS*, Section 6.1.1.3). All modules which make use of the intensity image, like *TagDetect* (Section 6.2.3) and *ItemPick* (Section 6.2.4), use the intensity images with GPIO Out 1 being LOW, i.e. projector is off. Fig. 6.36 shows an example.

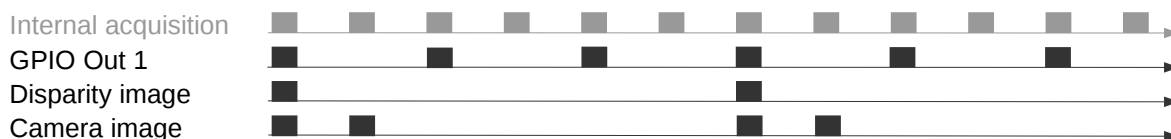


Fig. 6.36: Example of using the ExposureAlternateActive mode for GPIO Out 1 with a user-defined frame rate of 8 Hz. The internal image acquisition is always 25 Hz. GPIO Out 1 is HIGH for the exposure time of every second image. A disparity image is computed for images where Out 1 is HIGH and that are sent out via GigE Vision according to the user-defined frame rate. In ExposureAlternateActive mode, intensity images are always transmitted pairwise: one with GPIO Out 1 HIGH, for which a disparity image might be available, and one with GPIO Out 1 LOW.

**Note:** In ExposureAlternateActive mode, an intensity image with GPIO Out 1 being HIGH (i.e. with projection) is always 40 ms away from an intensity image with Out 1 being LOW (i.e. without projection), regardless of the user-defined frame rate. This needs to be considered when synchronizing disparity images and camera images without projection in this special mode.

The functionality can also be controlled by the DigitalIOControl parameters of the GenICam interface (*Category: DigitalIOControl*, Section 7.2.3.4).

**6.3.4.2 Services**

Each service response contains a *return\_code*, which consists of a value plus an optional message. A successful service returns with a *return\_code* value of 0. Negative *return\_code* values indicate that the service failed. Positive *return\_code* values indicate that the service succeeded with additional information.

The IOControl module offers the following services.

### get\_io\_values

Retrieves the current state of the *rc\_visard*'s general purpose inputs and outputs (GPIOs).

#### Details

This service can be called as follows.

#### API version 2

```
PUT http://<host>/api/v2/pipelines/0/nodes/rc_iocontrol/services/get_io_values
```

#### API version 1 (deprecated)

```
PUT http://<host>/api/v1/nodes/rc_iocontrol/services/get_io_values
```

#### Request

This service has no arguments.

#### Response

The returned timestamp is the time of measurement.

`input_mask` and `output_mask` are bit masks defining which bits are used for input and output values, respectively.

`values` holds the values of the bits corresponding to input and output as given by the `input_mask` and `output_mask`.

`return_code` holds possible warnings or error codes and messages. Possible `return_code` values are shown below.

Code	Description
0	Success
-2	Internal error
-9	License for <i>IOControl</i> is not available

The definition for the response with corresponding datatypes is:

```
{
  "name": "get_io_values",
  "response": {
    "input_mask": "uint32",
    "output_mask": "uint32",
    "return_code": {
      "message": "string",
      "value": "int16"
    },
    "timestamp": {
      "nsec": "int32",
      "sec": "int32"
    },
    "values": "uint32"
  }
}
```

### reset\_defaults

Restores and applies the default values for this module's parameters ("factory reset").

#### Details



This service can be called as follows.

#### API version 2

```
PUT http://<host>/api/v2/pipelines/0/nodes/rc_iocontrol/services/reset_defaults
```

#### API version 1 (deprecated)

```
PUT http://<host>/api/v1/nodes/rc_iocontrol/services/reset_defaults
```

#### Request

This service has no arguments.

#### Response

The definition for the response with corresponding datatypes is:

```
{
  "name": "reset_defaults",
  "response": {
    "return_code": {
      "message": "string",
      "value": "int16"
    }
  }
}
```

## 6.4 Database modules

The *rc\_visard NG* provides several database modules which enable the user to configure global data which is used in many detection modules, such as load carriers and regions of interest. Via the [REST-API interface](#) (Section 7.3) the database modules are only available in API version 2.

The database modules are:

- **LoadCarrierDB** (*rc\_load\_carrier\_db*, Section 6.4.1) allows setting, retrieving and deleting load carriers.
- **RoiDB** (*rc\_roi\_db*, Section 6.4.2) allows setting, retrieving and deleting 2D and 3D regions of interest.
- **GripperDB** (*rc\_gripper\_db*, Section 6.4.3) allows setting, retrieving and deleting grippers for collision checking.

### 6.4.1 LoadCarrierDB

#### 6.4.1.1 Introduction

The LoadCarrierDB module (Load carrier database module) allows the global definition of load carriers, which can then be used in many detection modules. The specified load carriers are available for all modules supporting load carriers on the *rc\_visard NG*.

The LoadCarrierDB module is a base module which is available on every *rc\_visard NG*.



Table 6.49: Specifications of the LoadCarrierDB module

Supported load carrier types	4-sided or 3-sided
Supported rim types	solid rim, stepped rim or ledged rim
Min. load carrier dimensions	0.1 m x 0.1 m x 0.05 m
Max. load carrier dimensions	2 m x 2 m x 2 m
Max. number of load carriers	50
Load carriers available in	<i>ItemPick</i> (Section 6.2.4) and <i>BoxPick</i> (Section 6.2.5) and <i>CADMatch</i> (Abschnitt 6.2.7) und <i>SilhouetteMatch</i> (Abschnitt 6.2.6)
Supported pose types	no pose, orientation prior, exact pose
Supported reference frames	camera, external

### 6.4.1.2 Load carrier definition

A load carrier (bin) is a container with four walls, a floor and a rectangular rim, which can contain objects. It can be used to limit the volume in which to search for objects or grasp points.

A load carrier is defined by its `outer_dimensions` and `inner_dimensions`. The maximum `outer_dimensions` are 2.0 meters in every dimension.

The origin of the load carrier reference frame is in the center of the load carrier's `outer` box and its `z` axis is perpendicular to the load carrier's floor pointing outwards (see Fig. 6.37).

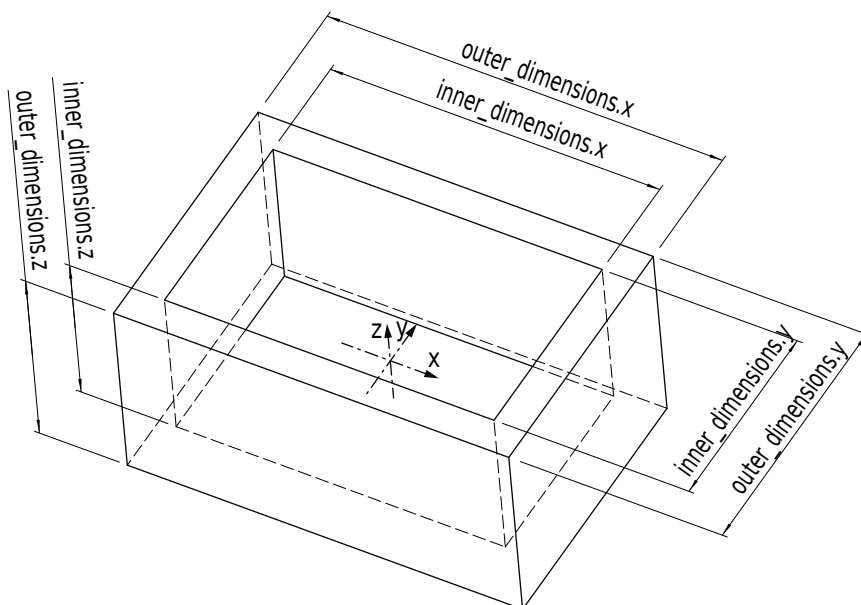


Fig. 6.37: Load carrier with reference frame and inner and outer dimensions

**Note:** Typically, outer and inner dimensions of a load carrier are available in the specifications of the load carrier manufacturer.

The inner volume of the load carrier is defined by its inner dimensions, but includes a region of 10 cm height above the load carrier, so that also items protruding from the load carrier are considered for detection or grasp computation. Furthermore, an additional `crop_distance` is subtracted from the inner volume in every dimension, which acts as a safety margin and can be configured as run-time parameter in the LoadCarrier module (see *Parameters*, Section 6.2.2.5). Fig. 6.38 visualizes the inner volume of a load carrier. Only points which are inside this volume are considered for detections.

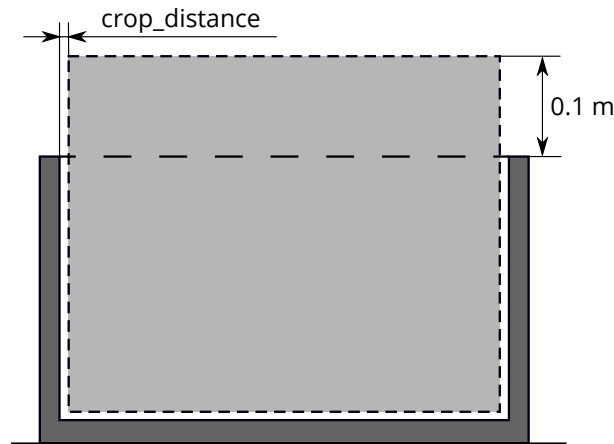


Fig. 6.38: Visualization of the inner volume of a load carrier. Only points which are inside this volume are considered for detections.

Since the load carrier detection is based on the detection of the load carrier's rim, the rim geometry must be specified if it cannot be determined from the difference between outer and inner dimensions. A load carrier with a stepped rim can be defined by setting a `rim_thickness`. The rim thickness gives the thickness of the outer part of the rim in the x and y direction. When a rim thickness is given, an optional `rim_step_height` can also be specified, which gives the height of the step between the outer and the inner part of the rim. When the step height is given, it will also be considered during collision checking (see [CollisionCheck](#), Section 6.3.2). Examples of load carriers with stepped rims are shown in Fig. 6.39 A, B. In addition to the `rim_thickness` and `rim_step_height` the `rim_ledge` can be specified for defining load carriers whose inner rim protrudes into the interior of the load carrier, such as pallet cages. The `rim_ledge` gives the thickness of the inner part of the rim in the x and y direction. An example of a load carrier with a ledged rim is shown in Fig. 6.39 C.

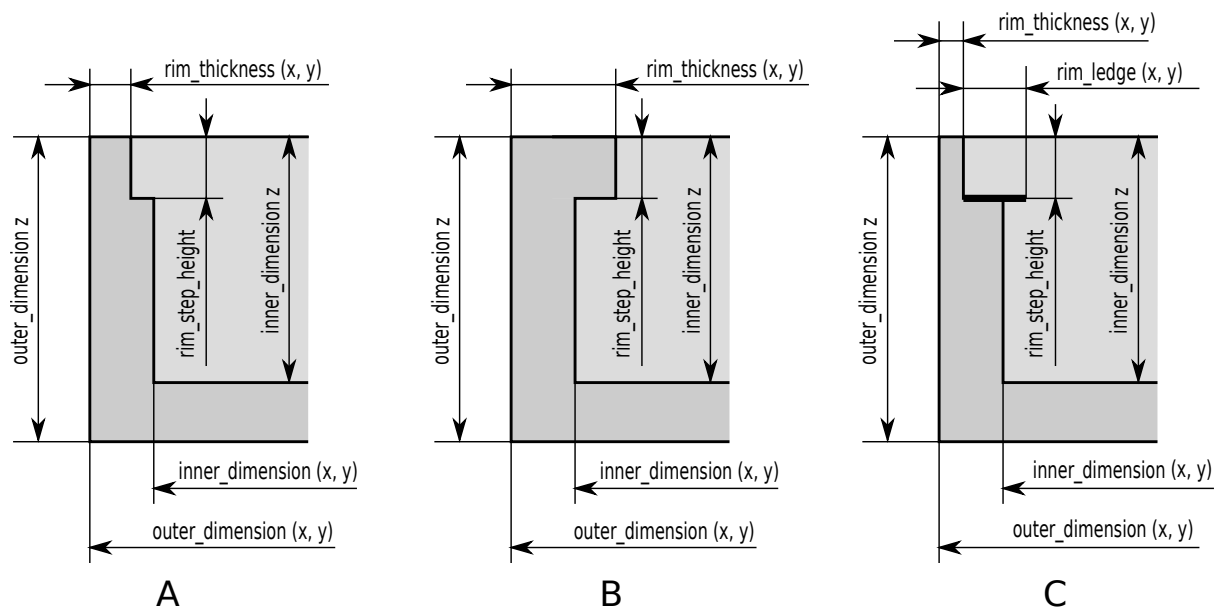


Fig. 6.39: Examples of load carriers with stepped rim (A, B) or ledged rim (C)

The different rim types are applicable to both, standard 4-sided and 3-sided load carriers. For a 3-sided load carrier, the `type` must be `THREE_SIDED`. If the type is set to `STANDARD` or left empty, a 4-sided load carrier is specified. A 3-sided load carrier has one side that is lower than the other three sides. This `height_open_side` is measured from the outer bottom of the load carrier. The open side is at the negative y-axis of the load carrier's coordinate system. Examples of the two load carrier types are given

in Fig. 6.40. The height of the lower side is only considered during collision checking and not required for the detection of the load carrier.

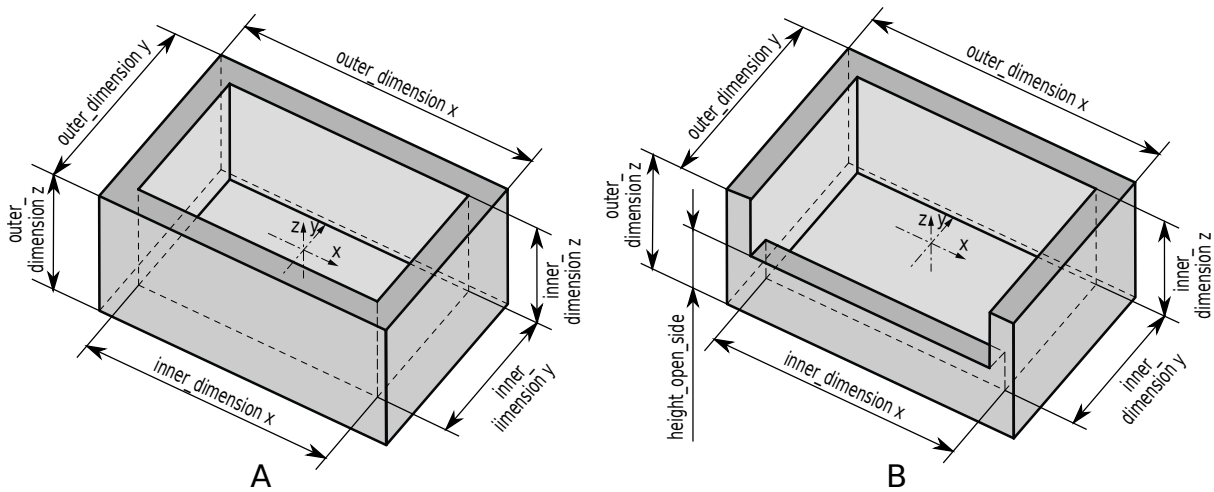


Fig. 6.40: Examples of a standard 4-sided load carrier (A) and a 3-sided load carrier (B)

A load carrier can be specified with a full 3D pose consisting of a position and an orientation quaternion, given in a `pose_frame`. Based on the given `pose_type` this pose is either used as an orientation prior (`pose_type` is `ORIENTATION_PRIOR` or empty), or as the exact pose of the load carrier (`pose_type` is `EXACT_POSE`).

In case the pose serves as orientation prior, the detected load carrier pose is guaranteed to have the minimum rotation with respect to the load carrier's prior pose. This pose type is useful for detecting tilted load carriers and for resolving the orientation ambiguity in the x and y direction caused by the symmetry of the load carrier model.

In case the pose type is set to `EXACT_POSE`, no load carrier detection will be performed on the scene data, but the given pose will be used in exactly the same way as if the load carrier is detected at that pose. This pose type is especially useful in cases where load carriers do not change their positions and/or are hard to detect (e.g. because their rim is too thin or the material is too shiny).

The `rc_visard NG` can persistently store up to 50 different load carrier models, each one identified by a different `id`. The configuration of a load carrier model is normally performed offline, during the set up of the desired application. This can be done via the [REST-API interface](#) (Section 7.3) or in the `rc_visard NG` Web GUI.

**Note:** The configured load carrier models are persistent even over firmware updates and rollbacks.

### 6.4.1.3 Load carrier compartments

Some detection modules can make use of a `load_carrier_compartment` to further limit the volume for the detection, for example *ItemPick's compute\_grasps service* (see 6.2.4.7). A load carrier compartment is a box whose `pose` is defined as the transformation from the load carrier reference frame to the compartment reference frame, which is located in the center of the compartment box (see Fig. 6.41). The load carrier compartment is defined for each detection call separately and is not part of the load carrier definition in the `LoadCarrierDB` module.

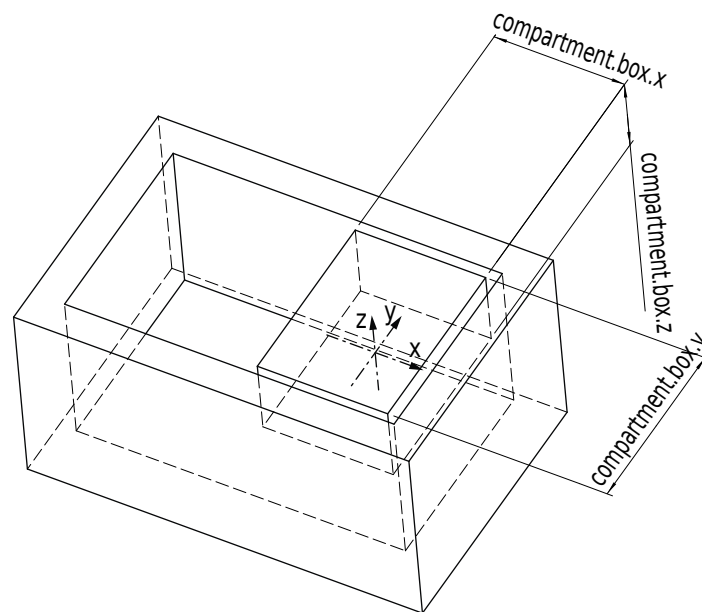


Fig. 6.41: Sample compartment inside a load carrier. The coordinate frame shown in the image is the reference frame of the compartment.

The compartment volume is intersected with the load carrier inner volume to compute the volume for the detection. If this intersection should also contain the 10 cm region above the load carrier, the height of the compartment box must be increased accordingly.

#### 6.4.1.4 Interaction with other modules

Internally, the LoadCarrierDB module depends on, and interacts with other on-board modules as listed below.

#### Hand-eye calibration

In case the camera has been calibrated to a robot, the load carrier's exact pose or orientation prior can be provided in the robot coordinate frame by setting the corresponding `pose_frame` argument to `external`.

Two different `pose_frame` values can be chosen:

1. **Camera frame** (`camera`). The load carrier pose or orientation prior is provided in the camera frame, and no prior knowledge about the pose of the camera in the environment is required. This means that the configured load carriers move with the camera. It is the user's responsibility to update the configured poses if the camera frame moves (e.g. with a robot-mounted camera).
2. **External frame** (`external`). The load carrier pose or orientation prior is provided in the external frame, configured by the user during the hand-eye calibration process. The module relies on the on-board [Hand-eye calibration module](#) (Section 6.3.1) to retrieve the sensor mounting (static or robot mounted) and the hand-eye transformation.

**Note:** If no hand-eye calibration is available, all `pose_frame` values should be set to `camera`.

All `pose_frame` values that are not `camera` or `external` are rejected.

### 6.4.1.5 Services

The LoadCarrierDB module is called `rc_load_carrier_db` in the REST-API and is represented in the *Web GUI* (Section 7.1) under *Database* → *Load Carriers*. The user can explore and call the LoadCarrierDB module's services, e.g. for development and testing, using the *REST-API interface* (Section 7.3) or the Web GUI.

The LoadCarrierDB module offers the following services.

#### set\_load\_carrier

Persistently stores a load carrier on the *rc\_visard NG*. All configured load carriers are persistent over firmware updates and rollbacks.

#### Details

This service can be called as follows.

```
PUT http://<host>/api/v2/nodes/rc_load_carrier_db/services/set_load_carrier
```

#### Request

Details for the definition of the `load_carrier` type are given in *Load carrier definition* (Section 6.4.1.2).

The field type is optional and accepts STANDARD and THREE\_SIDED.

The field `pose_type` is optional and accepts NO\_POSE, EXACT\_POSE and ORIENTATION\_PRIOR.

The definition for the request arguments with corresponding datatypes is:

```
{
  "args": {
    "load_carrier": {
      "height_open_side": "float64",
      "id": "string",
      "inner_dimensions": {
        "x": "float64",
        "y": "float64",
        "z": "float64"
      },
      "outer_dimensions": {
        "x": "float64",
        "y": "float64",
        "z": "float64"
      },
      "pose": {
        "orientation": {
          "w": "float64",
          "x": "float64",
          "y": "float64",
          "z": "float64"
        },
        "position": {
          "x": "float64",
          "y": "float64",
          "z": "float64"
        }
      },
      "pose_frame": "string",
      "pose_type": "string",
      "rim_ledge": {
        "x": "float64",
```

(continues on next page)

(continued from previous page)

```

    "y": "float64"
  },
  "rim_step_height": "float64",
  "rim_thickness": {
    "x": "float64",
    "y": "float64"
  },
  "type": "string"
}
}
}

```

**Response**

The definition for the response with corresponding datatypes is:

```

{
  "name": "set_load_carrier",
  "response": {
    "return_code": {
      "message": "string",
      "value": "int16"
    }
  }
}

```

**get\_load\_carriers**

Returns the configured load carriers with the requested `load_carrier_ids`. If no `load_carrier_ids` are provided, all configured load carriers are returned.

**Details**

This service can be called as follows.

```
PUT http://<host>/api/v2/nodes/rc_load_carrier_db/services/get_load_carriers
```

**Request**

The definition for the request arguments with corresponding datatypes is:

```

{
  "args": {
    "load_carrier_ids": [
      "string"
    ]
  }
}

```

**Response**

The definition for the response with corresponding datatypes is:

```

{
  "name": "get_load_carriers",
  "response": {
    "load_carriers": [
      {
        "height_open_side": "float64",
        "id": "string",
        "inner_dimensions": {

```

(continues on next page)

(continued from previous page)

```

        "x": "float64",
        "y": "float64",
        "z": "float64"
    },
    "outer_dimensions": {
        "x": "float64",
        "y": "float64",
        "z": "float64"
    },
    "pose": {
        "orientation": {
            "w": "float64",
            "x": "float64",
            "y": "float64",
            "z": "float64"
        },
        "position": {
            "x": "float64",
            "y": "float64",
            "z": "float64"
        }
    },
    "pose_frame": "string",
    "pose_type": "string",
    "rim_ledge": {
        "x": "float64",
        "y": "float64"
    },
    "rim_step_height": "float64",
    "rim_thickness": {
        "x": "float64",
        "y": "float64"
    },
    "type": "string"
}
],
"return_code": {
    "message": "string",
    "value": "int16"
}
}
}

```

### delete\_load\_carriers

Deletes the configured load carriers with the requested `load_carrier_ids`. All load carriers to be deleted must be explicitly stated in `load_carrier_ids`.

#### Details

This service can be called as follows.

```
PUT http://<host>/api/v2/nodes/rc_load_carrier_db/services/delete_load_carriers
```

#### Request

The definition for the request arguments with corresponding datatypes is:

```
{
  "args": {
```

(continues on next page)

(continued from previous page)

```

    "load_carrier_ids": [
      "string"
    ]
  }
}

```

**Response**

The definition for the response with corresponding datatypes is:

```

{
  "name": "delete_load_carriers",
  "response": {
    "return_code": {
      "message": "string",
      "value": "int16"
    }
  }
}

```

**6.4.1.6 Return codes**

Each service response contains a `return_code`, which consists of a value plus an optional message. A successful service returns with a `return_code` value of 0. Negative `return_code` values indicate that the service failed. Positive `return_code` values indicate that the service succeeded with additional information. The smaller value is selected in case a service has multiple `return_code` values, but all messages are appended in the `return_code` message.

The following table contains a list of common codes:

Table 6.50: Return codes of the LoadCarrierDB module's services

Code	Description
0	Success
-1	An invalid argument was provided
-10	New element could not be added as the maximum storage capacity of load carriers has been exceeded
10	The maximum storage capacity of load carriers has been reached
11	An existent persistent model was overwritten by the call to <code>set_load_carrier</code>

**6.4.2 RoiDB****6.4.2.1 Introduction**

The RoiDB module (region of interest database module) allows the global definition of 2D and 3D regions of interest, which can then be used in many detection modules. The ROIs are available for all modules supporting 2D or 3D ROIs on the *rc\_visard NG*.

The RoiDB module is a base module which is available on every *rc\_visard NG*.

3D ROIs can be used in *CADMatch* (Section 6.2.7), *ItemPick* (Section 6.2.4) and *BoxPick* (Section 6.2.5). 2D ROIs can be used in *SilhouetteMatch* (Section 6.2.6), and *LoadCarrier* (Section 6.2.2).



Table 6.51: Specifications of the RoiDB module

Supported ROI types	2D, 3D
Supported ROI geometries	2D ROI: rectangle, 3D ROI: box, sphere
Max. number of ROIs	2D: 100, 3D: 100
ROIs available in	2D: <a href="#">SilhouetteMatch</a> (Section 6.2.6), <a href="#">LoadCarrier</a> (Section 6.2.2), 3D: <a href="#">CADMatch</a> (Section 6.2.7), <a href="#">ItemPick</a> (Section 6.2.4) and <a href="#">BoxPick</a> (Section 6.2.5)
Supported reference frames	camera, external

### 6.4.2.2 Region of interest

A region of interest (ROI) defines a volume in space (3D region of interest, `region_of_interest`), or a rectangular region in the left camera image (2D region of interest, `region_of_interest_2d`) which is of interest for a specific user-application.

A ROI can narrow the volume where a load carrier is searched for, or select a volume which only contains items to be detected and/or grasped. Processing times can significantly decrease when using a ROI.

3D regions of interest of the following types (`type`) are supported:

- BOX, with dimensions `box.x`, `box.y`, `box.z`.
- SPHERE, with radius `sphere.radius`.

The user can specify the 3D region of interest pose in the camera or the external coordinate system. External can only be chosen if a [Hand-eye calibration](#) (Section 6.3.1) is available. When the sensor is robot mounted, and the region of interest is defined in the external frame, the current robot pose must be given to every detect service call that uses this region of interest.

A 2D ROI is defined as a rectangular part of the left camera image, and can be set via the [REST-API interface](#) (Section 7.3) or the [rc\\_visard NG Web GUI](#) (Section 7.1) on the page [Regions of Interest](#) under [Database](#). The Web GUI offers an easy-to-use selection tool. Each ROI must have a unique name to address a specific 2D ROI.

In the REST-API, a 2D ROI is defined by the following values:

- `id`: Unique name of the region of interest
- `offset_x`, `offset_y`: offset in pixels along the x-axis and y-axis from the top-left corner of the image, respectively
- `width`, `height`: width and height in pixels

The [rc\\_visard NG](#) can persistently store up to 100 different 3D regions of interest and the same number of 2D regions of interest. The configuration of regions of interest is normally performed offline, during the set up of the desired application. This can be done via the [REST-API interface](#) (Section 7.3) of RoiDB module, or in the [rc\\_visard NG Web GUI](#) (Section 7.1) on the page [Regions of Interest](#) under [Database](#).

**Note:** The configured regions of interest are persistent even over firmware updates and rollbacks.

### 6.4.2.3 Interaction with other modules

Internally, the RoiDB module depends on, and interacts with other on-board modules as listed below.

## Hand-eye calibration

In case the camera has been calibrated to a robot, the pose of a 3D ROI can be provided in the robot coordinate frame by setting the corresponding `pose_frame` argument.

Two different `pose_frame` values can be chosen:

1. **Camera frame** (`camera`). The ROI pose is provided in the camera frame, and no prior knowledge about the pose of the camera in the environment is required. This means that the configured load carriers move with the camera. It is the user's responsibility to update the configured poses if the camera frame moves (e.g. with a robot-mounted camera).
2. **External frame** (`external`). The ROI pose is provided in the external frame, configured by the user during the hand-eye calibration process. The module relies on the on-board [Hand-eye calibration module](#) (Section 6.3.1) to retrieve the sensor mounting (static or robot mounted) and the hand-eye transformation.

**Note:** If no hand-eye calibration is available, all `pose_frame` values should be set to `camera`.

All `pose_frame` values that are not `camera` or `external` are rejected.

### 6.4.2.4 Services

The RoiDB module is called `rc_roi_db` in the REST-API and is represented in the [Web GUI](#) (Section 7.1) under *Database* → *Regions of Interest*. The user can explore and call the RoiDB module's services, e.g. for development and testing, using the [REST-API interface](#) (Section 7.3) or the Web GUI.

The RoiDB module offers the following services.

#### `set_region_of_interest`

Persistently stores a 3D region of interest on the `rc_visard NG`. All configured 3D regions of interest are persistent over firmware updates and rollbacks.

##### Details

This service can be called as follows.

```
PUT http://<host>/api/v2/nodes/rc_roi_db/services/set_region_of_interest
```

##### Request

Details for the definition of the `region_of_interest` type are given in [Region of interest](#) (Section 6.4.2.2).

The definition for the request arguments with corresponding datatypes is:

```
{
  "args": {
    "region_of_interest": {
      "box": {
        "x": "float64",
        "y": "float64",
        "z": "float64"
      },
      "id": "string",
      "pose": {
        "orientation": {
          "w": "float64",
          "x": "float64",
          "y": "float64",
          "z": "float64"
        }
      }
    }
  }
}
```

(continues on next page)

(continued from previous page)

```

        "z": "float64"
      },
      "position": {
        "x": "float64",
        "y": "float64",
        "z": "float64"
      }
    },
    "pose_frame": "string",
    "sphere": {
      "radius": "float64"
    },
    "type": "string"
  }
}
}

```

**Response**

The definition for the response with corresponding datatypes is:

```

{
  "name": "set_region_of_interest",
  "response": {
    "return_code": {
      "message": "string",
      "value": "int16"
    }
  }
}

```

**set\_region\_of\_interest\_2d**

Persistently stores a 2D region of interest on the *rc\_visard NG*. All configured 2D regions of interest are persistent over firmware updates and rollbacks.

**Details**

This service can be called as follows.

```
PUT http://<host>/api/v2/nodes/rc_roi_db/services/set_region_of_interest_2d
```

**Request**

Details for the definition of the `region_of_interest_2d` type are given in [Region of interest](#) (Section 6.4.2.2).

The definition for the request arguments with corresponding datatypes is:

```

{
  "args": {
    "region_of_interest_2d": {
      "height": "uint32",
      "id": "string",
      "offset_x": "uint32",
      "offset_y": "uint32",
      "width": "uint32"
    }
  }
}

```

**Response**

The definition for the response with corresponding datatypes is:

```
{
  "name": "set_region_of_interest_2d",
  "response": {
    "return_code": {
      "message": "string",
      "value": "int16"
    }
  }
}
```

**get\_regions\_of\_interest**

Returns the configured 3D regions of interest with the requested region\_of\_interest\_ids.

**Details**

This service can be called as follows.

```
PUT http://<host>/api/v2/nodes/rc_roi_db/services/get_regions_of_interest
```

**Request**

If no region\_of\_interest\_ids are provided, all configured 3D regions of interest are returned.

The definition for the request arguments with corresponding datatypes is:

```
{
  "args": {
    "region_of_interest_ids": [
      "string"
    ]
  }
}
```

**Response**

The definition for the response with corresponding datatypes is:

```
{
  "name": "get_regions_of_interest",
  "response": {
    "regions_of_interest": [
      {
        "box": {
          "x": "float64",
          "y": "float64",
          "z": "float64"
        },
        "id": "string",
        "pose": {
          "orientation": {
            "w": "float64",
            "x": "float64",
            "y": "float64",
            "z": "float64"
          },
          "position": {
            "x": "float64",

```

(continues on next page)

(continued from previous page)

```

        "y": "float64",
        "z": "float64"
    }
},
"pose_frame": "string",
"sphere": {
    "radius": "float64"
},
"type": "string"
}
],
"return_code": {
    "message": "string",
    "value": "int16"
}
}
}

```

### get\_regions\_of\_interest\_2d

Returns the configured 2D regions of interest with the requested region\_of\_interest\_2d\_ids.

#### Details

This service can be called as follows.

```
PUT http://<host>/api/v2/nodes/rc_roi_db/services/get_regions_of_interest_2d
```

#### Request

If no region\_of\_interest\_2d\_ids are provided, all configured 2D regions of interest are returned.

The definition for the request arguments with corresponding datatypes is:

```

{
  "args": {
    "region_of_interest_2d_ids": [
      "string"
    ]
  }
}

```

#### Response

The definition for the response with corresponding datatypes is:

```

{
  "name": "get_regions_of_interest_2d",
  "response": {
    "regions_of_interest": [
      {
        "height": "uint32",
        "id": "string",
        "offset_x": "uint32",
        "offset_y": "uint32",
        "width": "uint32"
      }
    ],
    "return_code": {

```

(continues on next page)

(continued from previous page)

```
"message": "string",
"value": "int16"
}
}
}
```

### delete\_regions\_of\_interest

Deletes the configured 3D regions of interest with the requested `region_of_interest_ids`.

#### Details

This service can be called as follows.

```
PUT http://<host>/api/v2/nodes/rc_roi_db/services/delete_regions_of_interest
```

#### Request

All regions of interest to be deleted must be explicitly stated in `region_of_interest_ids`.

The definition for the request arguments with corresponding datatypes is:

```
{
  "args": {
    "region_of_interest_ids": [
      "string"
    ]
  }
}
```

#### Response

The definition for the response with corresponding datatypes is:

```
{
  "name": "delete_regions_of_interest",
  "response": {
    "return_code": {
      "message": "string",
      "value": "int16"
    }
  }
}
```

### delete\_regions\_of\_interest\_2d

Deletes the configured 2D regions of interest with the requested `region_of_interest_2d_ids`.

#### Details

This service can be called as follows.

```
PUT http://<host>/api/v2/nodes/rc_roi_db/services/delete_regions_of_interest_2d
```

#### Request

All 2D regions of interest to be deleted must be explicitly stated in `region_of_interest_2d_ids`.

The definition for the request arguments with corresponding datatypes is:

```
{
  "args": {
    "region_of_interest_2d_ids": [
      "string"
    ]
  }
}
```

### Response

The definition for the response with corresponding datatypes is:

```
{
  "name": "delete_regions_of_interest_2d",
  "response": {
    "return_code": {
      "message": "string",
      "value": "int16"
    }
  }
}
```

#### 6.4.2.5 Return codes

Each service response contains a `return_code`, which consists of a value plus an optional message. A successful service returns with a `return_code` value of 0. Negative `return_code` values indicate that the service failed. Positive `return_code` values indicate that the service succeeded with additional information. The smaller value is selected in case a service has multiple `return_code` values, but all messages are appended in the `return_code` message.

The following table contains a list of common codes:

Table 6.52: Return codes of the RoiDB module's services

Code	Description
0	Success
-1	An invalid argument was provided
-10	New element could not be added as the maximum storage capacity of regions of interest has been exceeded
10	The maximum storage capacity of regions of interest has been reached
11	An existent persistent model was overwritten by the call to <code>set_region_of_interest</code> or <code>set_region_of_interest_2d</code>

## 6.4.3 GripperDB

### 6.4.3.1 Introduction

The GripperDB module (gripper database module) is an optional on-board module of the *rc\_visard NG* and is licensed with any of the modules *ItemPick* (Section 6.2.4) and *BoxPick* (Section 6.2.5) or *CADMatch* (Abschnitt 6.2.7) und *SilhouetteMatch* (Abschnitt 6.2.6). Otherwise it requires a separate CollisionCheck *license* (Section 9.7) to be purchased.

The module provides services to set, retrieve and delete grippers which can then be used for checking collisions with a load carrier or other detected objects (only in combination with *CADMatch* (Abschnitt 6.2.7) und *SilhouetteMatch* (Abschnitt 6.2.6)). The specified grippers are available for all modules supporting collision checking on the *rc\_visard NG*.

Table 6.53: Specifications of the GripperDB module

Max. number of grippers	50
Supported gripper element geometries	Box, Cylinder, CAD Element
Max. number of elements per gripper	15
Collision checking available in	<i>ItemPick</i> (Section 6.2.4) and <i>BoxPick</i> (Section 6.2.5), <i>CADMatch</i> (Abschnitt 6.2.7) und <i>SilhouetteMatch</i> (Abschnitt 6.2.6)

### 6.4.3.2 Setting a gripper

The gripper is a collision geometry used to determine whether the grasp is in collision with the load carrier. The gripper consists of up to 15 elements connected to each other.

At this point, the gripper can be built of elements of the following types:

- BOX, with dimensions `box.x`, `box.y`, `box.z`.
- CYLINDER, with radius `cylinder.radius` and height `cylinder.height`.
- CAD, with the id `cad.id` of the chosen CAD element.

Additionally, for each gripper the flange radius, and information about the Tool Center Point (TCP) have to be defined.

The configuration of the gripper is normally performed offline during the setup of the desired application. This can be done via the *REST-API interface* (Section 7.3) or the *rc\_visard NG Web GUI* (Section 7.1).

#### Robot flange radius

Collisions are checked only with the gripper, the robot body is not considered. As a safety feature, to prevent collisions between the load carrier and the robot, all grasps having any part of the robot's flange inside the load carrier can be designated as colliding (see Fig. 6.42). This check is based on the defined gripper geometry and the flange radius value. It is optional to use this functionality, and it can be turned on and off with the CollisionCheck module's run-time parameter `check_flange` as described in *Parameter overview* (Section 6.3.2.3).

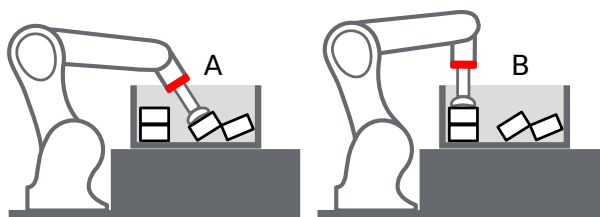


Fig. 6.42: Case A would be marked as collision only if `check_flange` is true, because the robot's flange (red) is inside the load carrier. Case B is collision free independent of `check_flange`.

#### Uploading gripper CAD elements

A gripper can consist of boxes, cylinders and CAD elements. While boxes and cylinders can be parameterized when the gripper is created, the CAD elements must be uploaded beforehand to be available during gripper creation. A CAD element can be uploaded via the *REST-API interface* (Section 7.3) as described in Section *CAD element API* (Section 6.4.3.5) or via the *rc\_visard NG Web GUI* (Section 7.1). Supported file formats are STEP (\*.stp, \*.step), STL (\*.stl), OBJ (\*.obj) and PLY (\*.ply). The maximum file size to be uploaded is limited to 30 MB. The files are internally converted to PLY and, if necessary, simplified. The CAD elements can be referenced during gripper creation by their ID.



### Creating a gripper via the REST-API or the Web GUI

When creating a gripper via the *REST-API interface* (Section 7.3) or the *Web GUI* (Section 7.1), each element of the gripper has a *parent* element, which defines how they are connected. The gripper is always built in the direction from the robot flange to the TCP, and at least one element must have 'flange' as parent. The elements' IDs must be unique and must not be 'tcp' or 'flange'. The pose of the child element has to be given in the coordinate frame of the parent element. The coordinate frame of an element is always in its geometric center. Accordingly, for a child element to be exactly below the parent element, the position of the child element must be computed from the heights of both parent and child element (see Fig. 6.43).

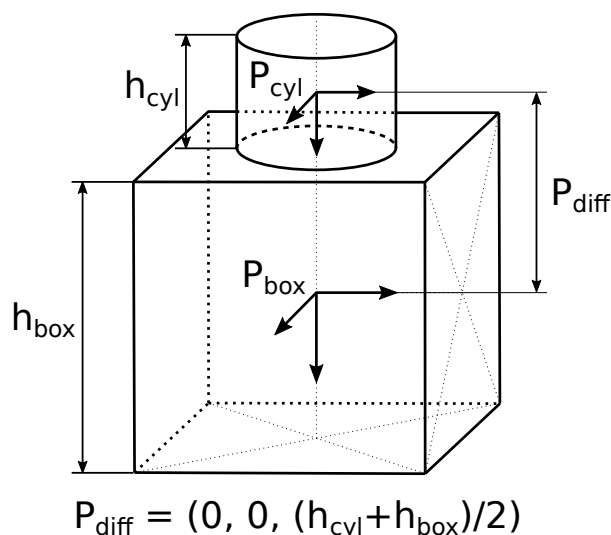


Fig. 6.43: Reference frames for gripper creation via the REST-API and the Web GUI

In case a CAD element is used, the element's origin is defined in the CAD data and is not necessarily located in the center of the element's bounding box.

It is recommended to create a gripper via the Web GUI, because it provides a 3D visualization of the gripper geometry and also allows to automatically attach the child element to the bottom of its parent element, when the corresponding option for this element is activated. In this case, the elements also stay attached when any of their sizes change. Automatic attachment of CAD elements uses the element's bounding box as reference. Automatic attachment is only possible when the child element is not rotated around the x or y axis with respect to its parent.

The reference frame for the first element for the gripper creation is always the center of the robot's flange with the z axis pointing outwards. It is possible to create a gripper with a tree structure, corresponding to multiple elements having the same parent element, as long as they are all connected.

### Calculated TCP position

After gripper creation via the `set_gripper` service call, the TCP position in the flange coordinate system is calculated and returned as `tcp_pose_flange`. It is important to check if this value is the same as the robot's true TCP position. When creating a gripper in the Web GUI the current TCP position is always displayed in the 3D gripper visualization.

### Creating rotationally asymmetric grippers

For grippers which are not rotationally symmetric around the z axis, it is crucial to ensure that the gripper is properly mounted, so that the representation stored in the GripperDB module corresponds to reality.

### 6.4.3.3 Services

The GripperDB module is called `rc_gripper_db` in the REST-API and is represented in the [Web GUI](#) (Section 7.1) under *Database* → *Grippers*. The user can explore and call the GripperDB module's services, e.g. for development and testing, using the [REST-API interface](#) (Section 7.3) or the Web GUI.

The GripperDB module offers the following services.

#### set\_gripper

Persistently stores a gripper on the `rc_visard NG`. All configured grippers are persistent over firmware updates and rollbacks.

#### Details

This service can be called as follows.

```
PUT http://<host>/api/v2/nodes/rc_gripper_db/services/set_gripper
```

#### Request

Required arguments:

`elements`: list of geometric elements for the gripper. Each element must be of type 'CYLINDER' or 'BOX' with the corresponding dimensions in the `cylinder` or `box` field, or of type 'CAD' with the corresponding `id` in the `cad` field. The pose of each element must be given in the coordinate frame of the parent element (see [Setting a gripper](#) (Section 6.4.3.2) for an explanation of the coordinate frames). The element's `id` must be unique and must not be 'tcp' or 'flange'. The `parent_id` is the ID of the parent element. It can either be 'flange' or it must correspond to another element in list.

`flange_radius`: radius of the flange used in case the `check_flange` run-time parameter is active.

`id`: unique name of the gripper

`tcp_parent_id`: ID of the element on which the TCP is defined

`tcp_pose_parent`: The pose of the TCP with respect to the coordinate frame of the element specified in `tcp_parent_id`.

The definition for the request arguments with corresponding datatypes is:

```
{
  "args": {
    "elements": [
      {
        "box": {
          "x": "float64",
          "y": "float64",
          "z": "float64"
        },
        "cad": {
          "id": "string"
        },
        "cylinder": {
          "height": "float64",
          "radius": "float64"
        },
        "id": "string",
        "parent_id": "string",

```

(continues on next page)

(continued from previous page)

```

    "pose": {
      "orientation": {
        "w": "float64",
        "x": "float64",
        "y": "float64",
        "z": "float64"
      },
      "position": {
        "x": "float64",
        "y": "float64",
        "z": "float64"
      }
    },
    "type": "string"
  }
],
"flange_radius": "float64",
"id": "string",
"tcp_parent_id": "string",
"tcp_pose_parent": {
  "orientation": {
    "w": "float64",
    "x": "float64",
    "y": "float64",
    "z": "float64"
  },
  "position": {
    "x": "float64",
    "y": "float64",
    "z": "float64"
  }
}
}
}
}
}

```

### Response

gripper: returns the gripper as defined in the request with an additional field `tcp_pose_flange`. This gives the coordinates of the TCP in the flange coordinate frame for comparison with the true settings of the robot's TCP.

return\_code: holds possible warnings or error codes and messages.

The definition for the response with corresponding datatypes is:

```

{
  "name": "set_gripper",
  "response": {
    "gripper": {
      "elements": [
        {
          "box": {
            "x": "float64",
            "y": "float64",
            "z": "float64"
          },
          "cylinder": {
            "id": "string",
            "height": "float64",
            "radius": "float64"
          }
        }
      ]
    }
  }
}

```

(continues on next page)

(continued from previous page)

```

    },
    "id": "string",
    "parent_id": "string",
    "pose": {
      "orientation": {
        "w": "float64",
        "x": "float64",
        "y": "float64",
        "z": "float64"
      },
      "position": {
        "x": "float64",
        "y": "float64",
        "z": "float64"
      }
    },
    "type": "string"
  }
],
"flange_radius": "float64",
"id": "string",
"tcp_parent_id": "string",
"tcp_pose_flange": {
  "orientation": {
    "w": "float64",
    "x": "float64",
    "y": "float64",
    "z": "float64"
  },
  "position": {
    "x": "float64",
    "y": "float64",
    "z": "float64"
  }
},
"tcp_pose_parent": {
  "orientation": {
    "w": "float64",
    "x": "float64",
    "y": "float64",
    "z": "float64"
  },
  "position": {
    "x": "float64",
    "y": "float64",
    "z": "float64"
  }
},
"return_code": {
  "message": "string",
  "value": "int16"
}
}
}

```

**get\_grippers**

Returns the configured grippers with the requested gripper\_ids.

### Details

This service can be called as follows.

```
PUT http://<host>/api/v2/nodes/rc_gripper_db/services/get_grippers
```

### Request

If no gripper\_ids are provided, all configured grippers are returned.

The definition for the request arguments with corresponding datatypes is:

```
{
  "args": {
    "gripper_ids": [
      "string"
    ]
  }
}
```

### Response

The definition for the response with corresponding datatypes is:

```
{
  "name": "get_grippers",
  "response": {
    "grippers": [
      {
        "elements": [
          {
            "box": {
              "x": "float64",
              "y": "float64",
              "z": "float64"
            },
            "cad": {
              "id": "string"
            },
            "cylinder": {
              "height": "float64",
              "radius": "float64"
            },
            "id": "string",
            "parent_id": "string",
            "pose": {
              "orientation": {
                "w": "float64",
                "x": "float64",
                "y": "float64",
                "z": "float64"
              },
              "position": {
                "x": "float64",
                "y": "float64",
                "z": "float64"
              }
            },
            "type": "string"
          }
        ],
        "flange_radius": "float64",
        "id": "string",
        "tcp_parent_id": "string",

```

(continues on next page)

(continued from previous page)

```

    "tcp_pose_flange": {
      "orientation": {
        "w": "float64",
        "x": "float64",
        "y": "float64",
        "z": "float64"
      },
      "position": {
        "x": "float64",
        "y": "float64",
        "z": "float64"
      }
    },
    "tcp_pose_parent": {
      "orientation": {
        "w": "float64",
        "x": "float64",
        "y": "float64",
        "z": "float64"
      },
      "position": {
        "x": "float64",
        "y": "float64",
        "z": "float64"
      }
    },
    "type": "string"
  }
],
"return_code": {
  "message": "string",
  "value": "int16"
}
}
}

```

### delete\_grippers

Deletes the configured grippers with the requested gripper\_ids.

#### Details

This service can be called as follows.

```
PUT http://<host>/api/v2/nodes/rc_gripper_db/services/delete_grippers
```

#### Request

All grippers to be deleted must be explicitly stated in gripper\_ids.

The definition for the request arguments with corresponding datatypes is:

```

{
  "args": {
    "gripper_ids": [
      "string"
    ]
  }
}

```

#### Response

The definition for the response with corresponding datatypes is:

```
{
  "name": "delete_grippers",
  "response": {
    "return_code": {
      "message": "string",
      "value": "int16"
    }
  }
}
```

#### 6.4.3.4 Return codes

Each service response contains a `return_code`, which consists of a value plus an optional message. A successful service returns with a `return_code` value of 0. Negative `return_code` values indicate that the service failed. Positive `return_code` values indicate that the service succeeded with additional information. The smaller value is selected in case a service has multiple `return_code` values, but all messages are appended in the `return_code` message.

The following table contains a list of common codes:

Table 6.54: Return codes of the GripperDB services

Code	Description
0	Success
-1	An invalid argument was provided
-7	Data could not be read or written to persistent storage
-9	No valid license for the module
-10	New gripper could not be added as the maximum storage capacity of grippers has been exceeded
10	The maximum storage capacity of grippers has been reached
11	Existing gripper was overwritten

#### 6.4.3.5 CAD element API

For gripper CAD element upload, download, listing and removal, special REST-API endpoints are provided. CAD elements can also be uploaded, downloaded and removed via the Web GUI. Up to 50 CAD elements can be stored persistently on the *rc\_visard NG*.

The maximum file size to be uploaded is limited to MB.

##### GET /cad/gripper\_elements

Get list of all CAD gripper elements.

##### Template request

```
GET /api/v2/cad/gripper_elements HTTP/1.1
```

##### Template response

```
HTTP/1.1 200 OK
Content-Type: application/json

[
  {
    "id": "string"
  }
]
```

**Response Headers**

- **Content-Type** – application/json application/ubjson

**Status Codes**

- **200 OK** – successful operation (*returns array of GripperElement*)
- **404 Not Found** – element not found

**Referenced Data Models**

- *GripperElement* (Section 7.3.3)

**GET /cad/gripper\_elements/{id}**

Get a CAD gripper element. If the requested content-type is application/octet-stream, the gripper element is returned as file.

**Template request**

```
GET /api/v2/cad/gripper_elements/<id> HTTP/1.1
```

**Template response**

```
HTTP/1.1 200 OK
Content-Type: application/json

{
  "id": "string"
}
```

**Parameters**

- **id** (*string*) – id of the element (*required*)

**Response Headers**

- **Content-Type** – application/json application/ubjson application/octet-stream

**Status Codes**

- **200 OK** – successful operation (*returns GripperElement*)
- **404 Not Found** – element not found

**Referenced Data Models**

- *GripperElement* (Section 7.3.3)

**PUT /cad/gripper\_elements/{id}**

Create or update a CAD gripper element.

**Template request**

```
PUT /api/v2/cad/gripper_elements/<id> HTTP/1.1
Accept: multipart/form-data application/json
```

**Template response**

```
HTTP/1.1 200 OK
Content-Type: application/json

{
  "id": "string"
}
```

**Parameters**



- **id** (*string*) – id of the element (*required*)

**Form Parameters**

- **file** – CAD file (*required*)

**Request Headers**

- **Accept** – multipart/form-data application/json

**Response Headers**

- **Content-Type** – application/json application/ubjson

**Status Codes**

- **200 OK** – successful operation (*returns GripperElement*)
- **400 Bad Request** – CAD is not valid or max number of elements reached
- **404 Not Found** – element not found
- **413 Request Entity Too Large** – File too large

**Referenced Data Models**

- *GripperElement* (Section 7.3.3)

**DELETE** /cad/gripper\_elements/{id}

Remove a CAD gripper element.

**Template request**

```
DELETE /api/v2/cad/gripper_elements/<id> HTTP/1.1
Accept: application/json application/ubjson
```

**Parameters**

- **id** (*string*) – id of the element (*required*)

**Request Headers**

- **Accept** – application/json application/ubjson

**Response Headers**

- **Content-Type** – application/json application/ubjson

**Status Codes**

- **200 OK** – successful operation
- **404 Not Found** – element not found

## 7 Interfaces

The following interfaces are provided for configuring and obtaining data from the *rc\_visard NG*:

- [Web GUI](#) (Section 7.1)  
Easy-to-use graphical interface to configure the *rc\_visard NG*, do calibrations, view live images, do service calls, visualize results, etc.
- [GigE Vision 2.0/GenICam](#) (Section 7.2)  
Images and camera related configuration.
- [REST API](#) (Section 7.3)  
API to configure the *rc\_visard NG*, query status information, do service calls, etc.
- [Ethernet KRL Interface \(EKI\)](#) (Section 7.4)  
API to configure the *rc\_visard NG* and do service calls from KUKA KSS robots.
- [gRPC image stream](#) (Section 7.5)  
Stream synchronized image sets via gRPC.
- [Time synchronization](#) (Section 7.7)  
Time synchronization between the *rc\_visard NG* and the application host.

### 7.1 Web GUI

The *rc\_visard NG*'s Web GUI can be used to test, calibrate, and configure the device.

#### 7.1.1 Accessing the Web GUI

The Web GUI can be accessed from any web browser, such as Firefox, Google Chrome, or Microsoft Edge, via the *rc\_visard NG*'s IP address. The easiest way to access the Web GUI is to simply double click on the desired device using the `rcdiscover-gui` tool as explained in [Discovery of \*rc\\_visard NG\* devices](#) (Section 4.3).

Alternatively, some network environments automatically configure the unique host name of the *rc\_visard NG* in their Domain Name Server (*DNS*). In this case, the Web GUI can also be accessed directly using the *URL* `http://<host-name>` by replacing `<host-name>` with the device's host name.

For Linux and Mac operating systems, this even works without DNS via the multicast Domain Name System (*mDNS*), which is automatically used if `.local` is appended to the host name. Thus, the URL simply becomes `http://<host-name>.local`.

### 7.1.2 Exploring the Web GUI

The Web GUI's dashboard page gives the most important information about the device and the software modules.

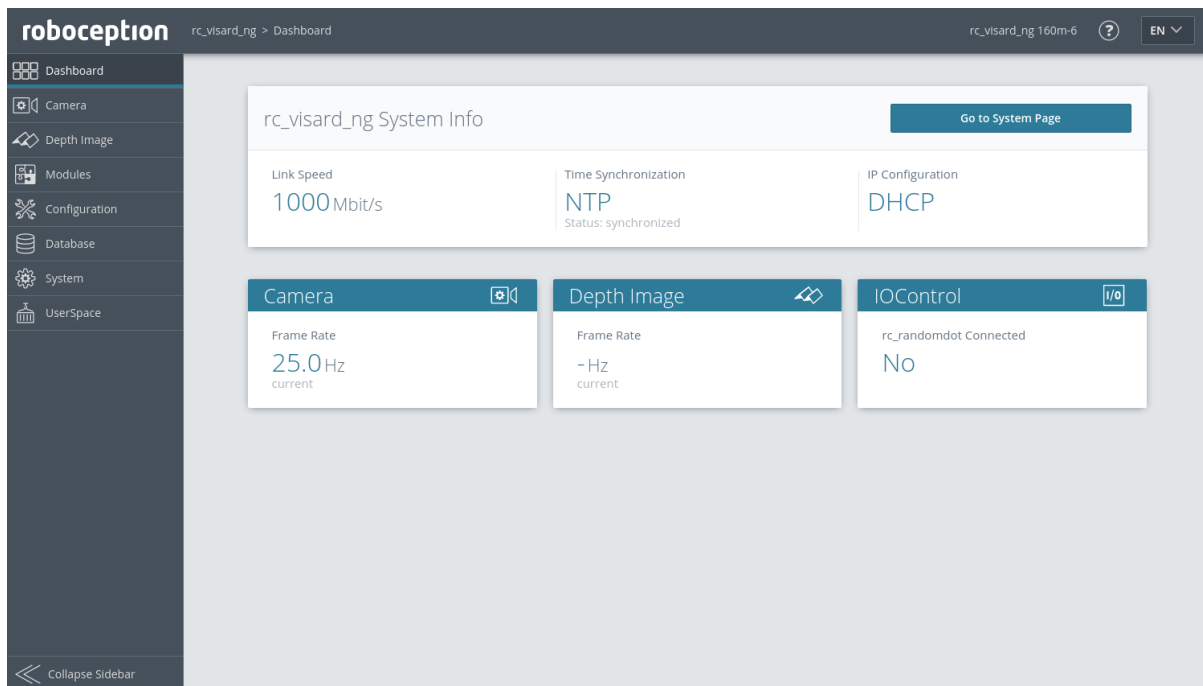


Fig. 7.1: Dashboard page of the *rc\_visard NG*'s Web GUI

The page's side menu permits access to the individual pages of the *rc\_visard NG*'s Web GUI:

**Camera** shows a live stream of the rectified camera images. The frame rate can be reduced to save bandwidth when streaming to a GigE Vision® client. Furthermore, exposure can be set manually or automatically. See [Parameters](#) (Section 6.1.1.3) for more information.

**Depth Image** shows a live stream of the left rectified, disparity, and confidence images. The page contains various settings for depth-image computation and filtering. See [Parameters](#) (Section 6.1.2.5) for more information.

**Modules** gives access to the detection modules of the *rc\_visard NG* (see [Detection & Measure modules](#), Section 6.2).

**Configuration** gives access to the configuration modules of the *rc\_visard NG* (see [Configuration modules](#), Section 6.3).

**Database** gives access to the database modules of the *rc\_visard NG* (see [Database modules](#), Section 6.4).

**System** gives access to general settings, device information and to the log files, and permits the firmware or the license file to be updated.

**Note:** Further information on all parameters in the Web GUI can be obtained by pressing the *Info* button next to each parameter.

### 7.1.3 Web GUI access control

The Web GUI has a simple mechanism to lock the UI against casual and accidental changes.

When enabling Web GUI access control via the *System* page, you will be asked to set a password. Now the Web GUI is in a locked mode indicated by the lock symbol in the top bar. All pages, camera streams, parameters and detections can be inspected as usual, but changes are not possible.

To temporarily unlock the Web GUI and make changes, click the lock symbol and enter the password. While enabling or disabling Web GUI access control affects anyone accessing this *rc\_visard NG*, the unlocked state is only valid for the browser where it was unlocked and indicated by the open lock symbol. It is automatically locked again after 10 minutes of inactivity.

Web GUI access control can also be disabled again on the *System* page after providing the current password.

**Warning:** This is not a security feature! It only locks the Web GUI and not the REST-API. It is meant to prevent accidental and casual changes e.g. via a connected screen.

**Note:** In case the password is lost, this can be disabled via the REST-API `delete ui_lock` (Section 7.3.2.3).

### 7.1.4 Downloading camera images

The Web GUI provides an easy way to download a snapshot of the current scene as a `.tar.gz` file by clicking on the camera icon below the image live streams on the *Camera* page. This snapshot contains:

- the rectified camera images in full resolution as `.png` files,
- a camera parameter file containing the camera matrix, image dimensions, exposure time, gain value and the stereo baseline,
- the current IMU readings as `imu.csv` file,
- a `pipeline_status.json` file containing information about all 3D-camera, detection and configuration nodes running on the *rc\_visard NG*,
- a `backup.json` file containing the settings of the *rc\_visard NG* including grippers, load carriers and regions of interest,
- a `system_info.json` file containing system information about the *rc\_visard NG*.

The filenames contain the timestamps.

### 7.1.5 Downloading depth images and point clouds

The Web GUI provides an easy way to download the depth data of the current scene as a `.tar.gz` file by clicking on the camera icon below the image live streams on the *Depth Image* page. This snapshot contains:

- the rectified left and right camera images in full resolution as `.png` files,
- an image parameter file corresponding to the left image containing the camera matrix, image dimensions, exposure time, gain value and the stereo baseline,
- the disparity, error and confidence images in the resolution corresponding to the currently chosen quality as `.png` files,
- a disparity parameter file corresponding to the disparity image containing the camera matrix, image dimensions, exposure time, gain value and the stereo baseline, and information about the disparity values (i.e. invalid values, scale, offset),
- the current IMU readings as `imu.csv` file,

- a `pipeline_status.json` file containing information about all 3D-camera, detection and configuration nodes running on the `rc_visard NG`,
- a `backup.json` file containing the settings of the `rc_visard NG` including grippers, load carriers and regions of interest,
- a `system_info.json` file containing system information about the `rc_visard NG`.

The filenames contain the timestamps.

When clicking on the mesh icon below the image live streams on the *Depth Image* page, a snapshot is downloaded which additionally includes a mesh of the point cloud in the current depth quality (resolution) as `.ply` file.

**Note:** Downloading a depth snapshot will trigger an acquisition in the same way as clicking on the “Acquire” button on the *Depth Image* page of the Web GUI, and, thus, might affect running applications.

## 7.2 GigE Vision 2.0/GenICam image interface

Gigabit Ethernet for Machine Vision (“GigE Vision®” for short) is an industrial camera interface standard based on UDP/IP (see <http://www.gigevision.com>). The `rc_visard NG` is a GigE Vision® version 2.0 device and is hence compatible with all GigE Vision® 2.0 compliant frameworks and libraries.

GigE Vision® uses GenICam to describe the camera/device features. For more information about this *Generic Interface for Cameras* see <http://www.genicam.org/>.

Via this interface the `rc_visard NG` provides features such as

- discovery,
- IP configuration,
- configuration of camera related parameters,
- image grabbing, and
- time synchronization via IEEE 1588-2008 PrecisionTimeProtocol (PTPv2).

**Note:** The `rc_visard NG` supports jumbo frames of up to 9000 bytes. Setting an MTU of 9000 on your GigE Vision client side is recommended for best performance.

**Note:** Roboception provides tools and a C++ API with examples for discovery, configuration, and image streaming via the GigE Vision/GenICam interface. See <http://www.roboception.com/download>.

### 7.2.1 GigE Vision ports

GigE Vision is a UDP based protocol. On the `rc_visard NG` the UDP ports are fixed and known:

- UDP port 3956: GigE Vision Control Protocol (GVCP). Used for discovery, control and configuration.
- UDP port 50010: Stream channel source port for GigE Vision Stream Protocol (GVSP) used for image streaming.

### 7.2.2 Important GenICam parameters

The following list gives an overview of the relevant GenICam features of the `rc_visard NG` that can be read and/or changed via the GenICam interface. In addition to the standard parameters,

which are defined in the Standard Feature Naming Convention (SFNC, see <http://www.emva.org/standards-technology/genicam/genicam-downloads/>), *rc\_visard NG* devices also offer custom parameters that account for special features of the *Camera* (Section 6.1.1) and the *Stereo matching* (Section 6.1.2) module.

## 7.2.3 Important standard GenICam features

### 7.2.3.1 Category: ImageFormatControl

#### ComponentSelector

- type: Enumeration, one of Intensity, IntensityCombined, Disparity, Confidence, or Error
- default: -
- description: Allows the user to select one of the five image streams for configuration (see *Provided image streams*, Section 7.2.6).

#### ComponentIDValue (read-only)

- type: Integer
- description: The ID of the image stream selected by the ComponentSelector.

#### ComponentEnable

- type: Boolean
- default: -
- description: If set to true, it enables the image stream selected by ComponentSelector; otherwise, it disables the stream. Using ComponentSelector and ComponentEnable, individual image streams can be switched on and off.

#### Width (read-only)

- type: Integer
- description: Image width in pixel of image stream that is currently selected by ComponentSelector.

#### Height (read-only)

- type: Integer
- description: Image height in pixel of image stream that is currently selected by ComponentSelector.

#### WidthMax (read-only)

- type: Integer
- description: Maximum width of an image.

#### HeightMax (read-only)

- type: Integer
- description: Maximum height of an image in the streams. This is always 1920 pixels due to the stacked left and right images in the IntensityCombined stream (see *Provided image streams*, Section 7.2.6).

#### PixelFormat

- type: Enumeration, one of Mono8, YCbCr411\_8 (color cameras only), Coord3D\_C16, Confidence8 and Error8
- description: Pixel format of the selected component. The enumeration only permits to choose the format among the possibly formats for the selected component. For a color camera, Mono8 or YCbCr411\_8 can be chosen for the Intensity and IntensityCombined component.

### 7.2.3.2 Category: AcquisitionControl

#### AcquisitionFrameRate

- type: Float, ranges from 1 Hz to 25 Hz
- default: 25 Hz
- description: Frame rate of the camera (*FPS*, Section 6.1.1.3).

#### ExposureAuto

- type: Enumeration, one of Continuous, Out1High, AdaptiveOut1, HDR or Off
- default: Continuous
- description: Combines `exp_control` (*exposure control*, Section 6.1.1.3) and `exp_auto_mode` (*auto exposure mode*, Section 6.1.1.3). Off maps to *Manual exposure control*. Continuous, Out1High or AdaptiveOut1 enable *Auto exposure control* with the respective *auto exposure mode* where Continuous maps to the *Normal* `exp_auto_mode`. HDR enables high-dynamic-range exposure control.

#### ExposureTime

- type: Float, ranges from 66  $\mu$ s to 18000  $\mu$ s
- default: 5000  $\mu$ s
- description: The cameras' exposure time in microseconds for the manual exposure mode (*Exposure*, Section 6.1.1.3).

### 7.2.3.3 Category: AnalogControl

#### GainSelector (read-only)

- type: Enumeration, is always All
- default: All
- description: The *rc\_visard NG* currently supports only one overall gain setting.

#### Gain

- type: Float, ranges from 0 dB to 18 dB
- default: 0 dB
- description: The cameras' gain value in decibel that is used in manual exposure mode (*Gain*, Section 6.1.1.3).

#### BalanceWhiteAuto (color cameras only)

- type: Enumeration, one of Continuous or Off
- default: Continuous
- description: Can be set to Off for manual white balancing mode or to Continuous for auto white balancing. This feature is only available on color cameras (*wb\_auto*, Section 6.1.1.3).

#### BalanceRatioSelector (color cameras only)

- type: Enumeration, one of Red or Blue
- default: Red
- description: Selects ratio to be modified by `BalanceRatio`. Red means red to green ratio and Blue means blue to green ratio. This feature is only available on color cameras.

#### BalanceRatio (color cameras only)

- type: Float, ranges from 0.125 to 8

- default: 1.2 if Red and 2.4 if Blue is selected in BalanceRatioSelector
- description: Weighting of red or blue to green color channel. This feature is only available on color cameras (*wb\_ratio*, Section 6.1.1.3).

### 7.2.3.4 Category: DigitalIOControl

#### LineSelector

- type: Enumeration, one of Out1, Out2, In1 or In2
- default: Out1
- description: Selects the input or output line for getting the current status or setting the source.

#### LineStatus (read-only)

- type: Boolean
- description: Current status of the line selected by LineSelector.

#### LineStatusAll (read-only)

- type: Integer
- description: Current status of GPIO inputs and outputs represented in the lowest four bits.

Table 7.1: Meaning of bits of LineStatusAll field.

Bit	4	3	2	1
GPIO	In 2	In 1	Out 2	Out 1

#### LineSource

- type: Enumeration, one of ExposureActive, ExposureAlternateActive, Low Or High
- default: Low
- description: Mode for output line selected by LineSelector as described in the IO-Control module (*out1\_mode and out2\_mode*, Section 6.3.4.1). See also parameter AcquisitionAlternateFilter for filtering images in ExposureAlternateActive mode.

### 7.2.3.5 Category: TransportLayerControl / PtpControl

#### PtpEnable

- type: Boolean
- default: false
- description: Switches PTP synchronization on and off.

### 7.2.3.6 Category: Scan3dControl

#### Scan3dDistanceUnit (read-only)

- type: Enumeration, is always Pixel
- description: Unit for the disparity measurements, which is always Pixel.

#### Scan3dOutputMode (read-only)

- type: Enumeration, is always DisparityC
- description: Mode for the depth measurements, which is always DisparityC.

#### Scan3dFocalLength (read-only)



- type: Float
- description: Focal length in pixel of image stream selected by `ComponentSelector`. In case of the component `Disparity`, `Confidence` and `Error`, the value also depends on the resolution that is implicitly selected by `DepthQuality`.

**Scan3dBaseline (read-only)**

- type: Float
- description: Baseline of the stereo camera in meters.

**Scan3dPrinciplePointU (read-only)**

- type: Float
- description: Horizontal location of the principle point in pixel of image stream selected by `ComponentSelector`. In case of the component `Disparity`, `Confidence` and `Error`, the value also depends on the resolution that is implicitly selected by `DepthQuality`.

**Scan3dPrinciplePointV (read-only)**

- type: Float
- description: Vertical location of the principle point in pixel of image stream selected by `ComponentSelector`. In case of the component `Disparity`, `Confidence` and `Error`, the value also depends on the resolution that is implicitly selected by `DepthQuality`.

**Scan3dCoordinateScale (read-only)**

- type: Float
- description: The scale factor that has to be multiplied with the disparity values in the disparity image stream to get the actual disparity measurements. This value is always 0.0625.

**Scan3dCoordinateOffset (read-only)**

- type: Float
- description: The offset that has to be added to the disparity values in the disparity image stream to get the actual disparity measurements. For the *rc\_visard NG*, this value is always 0 and can therefore be disregarded.

**Scan3dInvalidDataFlag (read-only)**

- type: Boolean
- description: Is always `true`, which means that invalid data in the disparity image is marked by a specific value defined by the `Scan3dInvalidDataValue` parameter.

**Scan3dInvalidDataValue (read-only)**

- type: Float
- description: Is the value which stands for invalid disparity. This value is always 0, which means that disparity values of 0 correspond to invalid measurements. To distinguish between invalid disparity measurements and disparity measurements of 0 for objects which are infinitely far away, the *rc\_visard NG* sets the disparity value for the latter to the smallest possible disparity value of 0.0625. This still corresponds to an object distance of several hundred meters.

### 7.2.3.7 Category: ChunkDataControl

**ChunkModeActive**

- type: Boolean
- default: `False`
- description: Enables chunk data that is delivered with every image.

## 7.2.4 Custom GenICam features of the *rc\_visard NG*

### 7.2.4.1 Category: DeviceControl

#### RcSystemReady (read-only)

- type: Boolean
- description: Returns whether the device's boot process has completed and all modules are running.

#### RcParamLockDisable

- type: Boolean
- default: False
- description: If set to true, the camera and depth image parameters are not locked when a GigE Vision client is connected to the device. Please note that depending on the connected GigE Vision client, parameter changes by other applications (e.g. the Web GUI) might not be noticed by the GigE Vision client, which could lead to unwanted results.

### 7.2.4.2 Category: AcquisitionControl

#### AcquisitionAlternateFilter

- type: Enumeration, one of Off, OnlyHigh or OnlyLow
- default: Off
- description: If this parameter is set to OnlyHigh (or OnlyLow) and the LineSource is set to ExposureAlternateActive for any output, then only camera images are delivered that are captured while the output is high, i.e. a potentially connected projector is on (or low, i.e. a potentially connected projector is off). This parameter is a simple means for only getting images without projected pattern. The minimal time difference between camera and disparity images will be about 40 ms in this case (see *IOControl*, Section 6.3.4.1).

#### AcquisitionMultiPartMode

- type: Enumeration, one of SingleComponent or SynchronizedComponents
- default: SingleComponent
- description: Only effective in MultiPart mode. If this parameter is set to SingleComponent the images are sent immediately as a single component per frame/buffer when they become available. This is the same behavior as when MultiPart is not supported by the client. If set to SynchronizedComponents all enabled components are time synchronized on the *rc\_visard NG* and only sent (in one frame/buffer) when they are all available for that timestamp.

#### ExposureTimeAutoMax

- type: Float, ranges from 66  $\mu$ s to 18000  $\mu$ s
- default: 18000  $\mu$ s
- description: Maximal exposure time in auto exposure mode (*Max Exposure*, Section 6.1.1.3).

#### ExposureRegionOffsetX

- type: Integer in the range of 0 to the maximum image width
- default: 0
- description: Horizontal offset of *exposure region* (Section 6.1.1.3) in pixel.

#### ExposureRegionOffsetY

- type: Integer in the range of 0 to the maximum image height

- default: 0
- description: Vertical offset of *exposure region* (Section 6.1.1.3) in pixel.

**ExposureRegionWidth**

- type: Integer in the range of 0 to the maximum image width
- default: 0
- description: Width of *exposure region* (Section 6.1.1.3) in pixel.

**ExposureRegionHeight**

- type: Integer in the range of 0 to the maximum image height
- default: 0
- description: Height of *exposure region* (Section 6.1.1.3) in pixel.

**RcExposureAutoAverageMax**

- type: Float in the range of 0 to 1
- default: 0.75
- description: Maximum brightness for the *auto exposure function* (Section 6.1.1.3) as value between 0 (dark) and 1 (bright).

**RcExposureAutoAverageMin**

- type: Float in the range of 0 to 1
- default: 0.25
- description: Minimum brightness for the *auto exposure function* (Section 6.1.1.3) as value between 0 (dark) and 1 (bright).

### 7.2.4.3 Category: Scan3dControl

**FocalLengthFactor (read-only)**

- type: Float
- description: The focal length scaled to an image width of 1 pixel. To get the focal length in pixels for a certain image, this value must be multiplied by the width of the received image. See also parameter Scan3dFocalLength.

**Baseline (read-only)**

- type: Float
- description: This parameter is deprecated. The parameter Scan3dBaseline should be used instead.

### 7.2.4.4 Category: DepthControl

**DepthAcquisitionMode**

- type: Enumeration, one of SingleFrame, SingleFrameOut1 or Continuous
- default: Continuous
- description: In single frame mode, stereo matching is performed upon each call of DepthAcquisitionTrigger. The SingleFrameOut1 mode can be used to control an external projector. It sets the line source of Out1 to ExposureAlternateActive upon each trigger and resets it to Low as soon as the images for stereo matching are grabbed. In continuous mode, stereo matching is performed continuously.

**DepthAcquisitionTrigger**

- type: Command
- description: This command triggers stereo matching of the next available stereo image pair, if `DepthAcquisitionMode` is set to `SingleFrame` or `SingleFrameOut1`.

**DepthQuality**

- type: Enumeration, one of `Low`, `Medium`, `High`, or `Full` (**only with StereoPlus license**)
- default: `High`
- description: Quality of disparity images. Lower quality results in disparity images with lower resolution (*Quality*, Section 6.1.2.5).

**DepthDoubleShot**

- type: Boolean
- default: `False`
- description: True for improving the stereo matching result of a scene recorded with a projector by filling holes with depth information computed from images without projector pattern. (*Double-Shot*, Section 6.1.2.5).

**DepthStaticScene**

- type: Boolean
- default: `False`
- description: True for averaging 8 consecutive camera images for improving the stereo matching result. (*Static*, Section 6.1.2.5).

**DepthSmooth (read-only if StereoPlus license is not available)**

- type: Boolean
- default: `False`
- description: True for advanced smoothing of disparity values. (*Smoothing*, Section 6.1.2.5).

**DepthFill**

- type: Integer, ranges from 0 pixel to 4 pixels
- default: 3 pixels
- description: Value in pixels for *Fill-In* (Section 6.1.2.5).

**DepthSeg**

- type: Integer, ranges from 0 pixel to 4000 pixels
- default: 200 pixels
- description: Value in pixels for *Segmentation* (Section 6.1.2.5).

**DepthMinConf**

- type: Float, ranges from 0.0 to 1.0
- default: 0.0
- description: Value for *Minimum Confidence* filtering (Section 6.1.2.5).

**DepthMinDepth**

- type: Float, ranges from 0.1 m to 100.0 m
- default: 0.1 m
- description: Value in meters for *Minimum Distance* filtering (Section 6.1.2.5).

**DepthMaxDepth**

- type: Float, ranges from 0.1m to 100.0 m

- default: 100.0 m
- description: Value in meters for *Maximum Distance* filtering (Section 6.1.2.5).

**DepthMaxDepthErr**

- type: Float, ranges from 0.01 m to 100.0 m
- default: 100.0 m
- description: Value in meters for *Maximum Depth Error* filtering (Section 6.1.2.5).

## 7.2.5 Chunk data

The *rc\_visard NG* supports chunk parameters that are transmitted with every image. Chunk parameters all have the prefix `Chunk`. Their meaning equals their non-chunk counterparts, except that they belong to the corresponding image, e.g. `Scan3dFocalLength` depends on `ComponentSelector` and `DepthQuality` as both can change the image resolution. The parameter `ChunkScan3dFocalLength` that is delivered with an image fits to the resolution of the corresponding image.

Particularly useful chunk parameters are:

- `ChunkComponentSelector` selects for which component to extract the chunk data in `MultiPart` mode.
- `ChunkComponentID` and `ChunkComponentIDValue` provide the relation of the image to its component (e.g. camera image or disparity image) without guessing from the image format or size.
- `ChunkLineStatusAll` provides the status of all GPIOs at the time of image acquisition. See `LineStatusAll` above for a description of bits.
- `ChunkScan3d...` parameters are useful for 3D reconstruction as described in Section *Image stream conversions* (Section 7.2.7).
- `ChunkPartIndex` provides the index of the image part in this `MultiPart` block for the selected component (`ChunkComponentSelector`).
- `ChunkRcOut1Reduction` gives a ratio of how much the brightness of the images with GPIO Out1 LOW is lower than the brightness of the images with GPIO Out1 HIGH. For example, a value of 0.2 means that the images with GPIO Out1 LOW have 20% less brightness than the images with GPIO Out1 HIGH. This value is only available if `exp_auto_mode` of the stereo camera is set to `AdaptiveOut1` or `Out1High` (*auto exposure mode*, Section 6.1.1.3).

Chunk data is enabled by setting the GenICam parameter `ChunkModeActive` to `True`.

## 7.2.6 Provided image streams

The *rc\_visard NG* provides the following five different image streams via the GenICam interface:

Component name	PixelFormat	Description
Intensity	Mono8 (monochrome cameras) YCbCr411_8 (color cameras)	Left rectified camera image
IntensityCombined	Mono8 (monochrome cameras) YCbCr411_8 (color cameras)	Left rectified camera image stacked on right rectified camera image
Disparity	Coord3D_C16	Disparity image in desired resolution, i.e., DepthQuality of Full, High, Medium or Low
Confidence	Confidence8	Confidence image
Error	Error8 (custom: 0x81080001)	Disparity error image

Each image comes with a buffer timestamp and the *PixelFormat* given in the above table. This *PixelFormat* should be used to distinguish between the different image types. Images belonging to the same acquisition timestamp can be found by comparing the GenICam buffer timestamps.

## 7.2.7 Image stream conversions

The disparity image contains 16 bit unsigned integer values. These values must be multiplied by the scale value given in the GenICam feature *Scan3dCoordinateScale* to get the disparity values  $d$  in pixels. To compute the 3D object coordinates from the disparity values, the focal length and the baseline as well as the principle point are required. These parameters are transmitted as GenICam features *Scan3dFocalLength*, *Scan3dBaseline*, *Scan3dPrincipalPointU* and *Scan3dPrincipalPointV*. The focal length and principal point depend on the image resolution of the selected component. Knowing these values, the pixel coordinates and the disparities can be transformed into 3D object coordinates in the camera coordinate frame using the equations described in [Computing depth images and point clouds](#) (Section 6.1.2.2).

**Note:** The *rc\_visard NG*'s camera coordinate frame is defined as shown in [sensor coordinate frame](#) (Section 3.7).

Assuming that  $d_{16_{ik}}$  is the 16 bit disparity value at column  $i$  and row  $k$  of a disparity image, the float disparity in pixels  $d_{ik}$  is given by

$$d_{ik} = d_{16_{ik}} \cdot \text{Scan3dCoordinateScale}$$

The 3D reconstruction in meters can be written with the GenICam parameters as:

$$P_x = (i + 0.5 - \text{Scan3dPrincipalPointU}) \frac{\text{Scan3dBaseline}}{d_{ik}},$$

$$P_y = (k + 0.5 - \text{Scan3dPrincipalPointV}) \frac{\text{Scan3dBaseline}}{d_{ik}},$$

$$P_z = \text{Scan3dFocalLength} \frac{\text{Scan3dBaseline}}{d_{ik}}.$$

The confidence image contains 8 bit unsigned integer values. These values have to be divided by 255 to get the confidence as value between 0 and 1.

The error image contains 8 bit unsigned integer values. The error  $e_{ik}$  must be multiplied by the scale value given in the GenICam feature *Scan3dCoordinateScale* to get the disparity-error values  $d_{eps}$  in pixels. According to the description in [Confidence and error images](#) (Section 6.1.2.3), the depth error  $z_{eps}$  in meters can be computed with GenICam parameters as

$$d_{ik} = d16_{ik} \cdot \text{Scan3dCoordinateScale},$$

$$z_{eps} = \frac{e_{ik} \cdot \text{Scan3dCoordinateScale} \cdot \text{Scan3dFocalLength} \cdot \text{Scan3dBaseline}}{(d_{ik})^2}.$$

**Note:** It is preferable to enable chunk data with the parameter *ChunkModeActive* and to use the chunk parameters *ChunkScan3dCoordinateScale*, *ChunkScan3dFocalLength*, *ChunkScan3dBaseline*, *ChunkScan3dPrincipalPointU* and *ChunkScan3dPrincipalPointV* that are delivered with every image, because their values already fit to the image resolution of the corresponding image.

For more information about disparity, error, and confidence images, please refer to [Stereo matching](#) (Section 6.1.2).

## 7.3 REST-API interface

Aside from the [GenICam interface](#) (Section 7.2), the *rc\_visard NG* offers a comprehensive RESTful web interface (REST-API) which any HTTP client or library can access. Whereas most of the provided parameters, services, and functionalities can also be accessed via the user-friendly [Web GUI](#) (Section 7.1), the REST-API serves rather as a machine-to-machine interface to the *rc\_visard NG*, e.g., to programmatically

- set and get run-time parameters of computation nodes, e.g., of cameras or image processing modules;
- do service calls, e.g., to start and stop individual computational nodes, or to use offered services such as the hand-eye calibration;
- read the current state of the system and individual computational nodes; or
- update the *rc\_visard NG*'s firmware or license.

**Note:** In the *rc\_visard NG*'s REST-API, a *node* is a computational component that bundles certain algorithmic functionality and offers a holistic interface (parameters, services, current status). Examples for such nodes are the stereo matching node or the hand-eye calibration node.

### 7.3.1 General API structure

The general **entry point** to the *rc\_visard NG*'s API is `http://<host>/api/`, where `<host>` is either the device's IP address or its *host name* as known by the respective DHCP server, as explained in [network configuration](#) (Section 4.4). Accessing this entry point with a web browser lets the user explore and test the full API during run-time using the [Swagger UI](#) (Section 7.3.4).

For actual HTTP requests, the **current API version is appended** to the entry point of the API, i.e., `http://<host>/api/v2`. All data sent to and received by the REST-API follows the JavaScript Object Notation (JSON). The API is designed to let the user **create, retrieve, modify, and delete** so-called **resources** as listed in [Available resources and requests](#) (Section 7.3.2) using the HTTP requests below.

Request type	Description
GET	Access one or more resources and return the result as JSON.
PUT	Modify a resource and return the modified resource as JSON.
DELETE	Delete a resource.
POST	Upload file (e.g., license or firmware image).

Depending on the type and the specific request itself, **arguments** to HTTP requests can be transmitted as part of the **path (URI)** to the resource, as **query** string, as **form data**, or in the **body** of the request. The following examples use the command line tool *curl*, which is available for various operating systems. See <https://curl.haxx.se>.

- Get a node's current status; its name is encoded in the path (URI)

```
curl -X GET 'http://<host>/api/v2/pipelines/0/nodes/rc_stereomatching'
```

- Get values of some of a node's parameters using a query string

```
curl -X GET 'http://<host>/api/v2/pipelines/0/nodes/rc_stereomatching/parameters?
↳name=minconf&name=maxdepth'
```

- Set a node's parameter as JSON-encoded text in the body of the request

```
curl -X PUT --header 'Content-Type: application/json' -d '[{"name": "mindepth", "value": 0.
↳1}]' 'http://<host>/api/v2/pipelines/0/nodes/rc_stereomatching/parameters'
```

As for the responses to such requests, some common return codes for the *rc\_visard NG*'s API are:

Status Code	Description
200 OK	The request was successful; the resource is returned as JSON.
400 Bad Request	A required attribute or argument of the API request is missing or invalid.
404 Not Found	A resource could not be accessed; e.g., an ID for a resource could not be found.
403 Forbidden	Access is (temporarily) forbidden; e.g., some parameters are locked while a GigE Vision application is connected.
429 Too many requests	Rate limited due to excessive request frequency.

The following listing shows a sample response to a successful request that accesses information about the *rc\_stereomatching* node's *minconf* parameter:

```
HTTP/1.1 200 OK
Content-Type: application/json
Content-Length: 157

{
  "name": "minconf",
  "min": 0,
  "default": 0,
  "max": 1,
```

(continues on next page)



(continued from previous page)

```

"value": 0,
"type": "float64",
"description": "Minimum confidence"
}

```

**Note:** The actual behavior, allowed requests, and specific return codes depend heavily on the specific resource, context, and action. Please refer to the *rc\_visard* NG's *available resources* (Section 7.3.2) and to each *software module's* (Section 6) parameters and services.

## 7.3.2 Available resources and requests

The available REST-API resources are structured into the following parts:

- **/nodes** Access the *rc\_visard* NG's global *Database modules* (Section 6.4) with their run-time status, parameters, and offered services, for storing data used in multiple modules, such as load carriers, grippers and regions of interest.
- **/pipelines** Access to the status and configuration of the camera pipelines. There is always only one camera pipeline with number 0.
- **/pipelines/0/nodes** Access the *rc\_visard* NG's 3D-camera, navigation, detection and configuration *software modules* (Section 6) with their run-time status, parameters, and offered services.
- **/templates** Access the object templates on the *rc\_visard* NG.
- **/system** Access the system state, set network configuration, and manage licenses as well as firmware updates.
- **/userspace** Access the UserSpace on the *rc\_visard* NG.
- **/logs** Access the log files on the *rc\_visard* NG.

### 7.3.2.1 Nodes, parameters, and services

Nodes represent the *rc\_visard* NG's *software modules* (Section 6), each bundling a certain algorithmic functionality. All available global REST-API database nodes can be listed with their service calls and parameters using

```
curl -X GET http://<host>/api/v2/nodes
```

Information about a specific node (e.g., *rc\_load\_carrier\_db*) can be retrieved using

```
curl -X GET http://<host>/api/v2/nodes/rc_load_carrier_db
```

All available 3D camera, detection and configuration REST-API nodes can be listed with their service calls and parameters using

```
curl -X GET http://<host>/api/v2/pipelines/0/nodes
```

Information about a specific node (e.g., *rc\_camera*) can be retrieved using

```
curl -X GET http://<host>/api/v2/pipelines/0/nodes/rc_camera
```

**Status:** During run-time, each node offers information about its current status. This includes not only the current **processing status** of the module (e.g., running or stale), but most nodes also offer run-time statistics or read-only parameters, so-called **status values**. As an example, the *rc\_camera* values can be retrieved using

```
curl -X GET http://<host>/api/v2/pipelines/0/nodes/rc_camera/status
```

**Note:** The returned **status values** are specific to individual nodes and are documented in the respective *software module* (Section 6).

**Note:** The **status values** are only reported when the respective node is in the running state.

**Parameters:** Most nodes expose parameters via the *rc\_visard NG*'s REST-API to allow their run-time behaviors to be changed according to application context or requirements. The REST-API permits to read and write a parameter's value, but also provides further information such as minimum, maximum, and default values.

As an example, the *rc\_stereomatching* parameters can be retrieved using

```
curl -X GET http://<host>/api/v2/pipelines/0/nodes/rc_stereomatching/parameters
```

Its quality parameter could be set to Full using

```
curl -X PUT http://<host>/api/v2/pipelines/0/nodes/rc_stereomatching/parameters?quality=Full
```

or equivalently

```
curl -X PUT --header 'Content-Type: application/json' -d '{ "value": "Full" }' http://<host>
↪/api/v2/pipelines/0/nodes/rc_stereomatching/parameters/quality
```

**Note:** Run-time parameters are specific to individual nodes and are documented in the respective *software module* (Section 6).

**Note:** Most of the parameters that nodes offer via the REST-API can be explored and tested via the *rc\_visard NG*'s user-friendly *Web GUI* (Section 7.1).

**Note:** Some parameters exposed via the *rc\_visard NG*'s REST-API are also available from the *GigE Vision 2.0/GenICam image interface* (Section 7.2). Please note that setting those parameters via the REST-API or Web GUI is prohibited if a GenICam client is connected.

In addition, each node that offers run-time parameters also features a service to restore the default values for all of its parameters.

**Services:** Some nodes also offer services that can be called via REST-API, e.g., to restore parameters as discussed above, or to start and stop nodes. As an example, the *services of the hand-eye calibration module* (Section 6.3.1.5) could be listed using

```
curl -X GET http://<host>/api/v2/pipelines/0/nodes/rc_hand_eye_calibration/services
```

A node's service is called by issuing a PUT request for the respective resource and providing the service-specific arguments (see the "args" field of the *Service data model*, Section 7.3.3). As an example, the stereo matching module can be triggered to do an acquisition by:

```
curl -X PUT --header 'Content-Type: application/json' -d '{ "args": {} }' http://<host>/api/
↪v2/pipelines/0/nodes/rc_stereomatching/services/acquisition_trigger
```

**Note:** The services and corresponding argument data models are specific to individual nodes and are documented in the respective *software module* (Section 6).

The following list includes all REST-API requests regarding the global database nodes' status, parameters, and services calls:

**GET /nodes**

Get list of all available global nodes.

**Template request**

```
GET /api/v2/nodes HTTP/1.1
```

**Sample response**

```
HTTP/1.1 200 OK
Content-Type: application/json

[
  {
    "name": "rc_roi_db",
    "parameters": [],
    "services": [
      "set_region_of_interest",
      "get_regions_of_interest",
      "delete_regions_of_interest",
      "set_region_of_interest_2d",
      "get_regions_of_interest_2d",
      "delete_regions_of_interest_2d"
    ],
    "status": "running"
  },
  {
    "name": "rc_load_carrier_db",
    "parameters": [],
    "services": [
      "set_load_carrier",
      "get_load_carriers",
      "delete_load_carriers"
    ],
    "status": "running"
  },
  {
    "name": "rc_gripper_db",
    "parameters": [],
    "services": [
      "set_gripper",
      "get_grippers",
      "delete_grippers"
    ],
    "status": "running"
  }
]
```

**Response Headers**

- **Content-Type** – application/json application/ubjson

**Status Codes**

- **200 OK** – successful operation (*returns array of NodeInfo*)

**Referenced Data Models**

- *NodeInfo* (Section 7.3.3)

**GET /nodes/{node}**

Get info on a single global node.

**Template request**

```
GET /api/v2/nodes/<node> HTTP/1.1
```

### Sample response

```
HTTP/1.1 200 OK
Content-Type: application/json

{
  "name": "rc_roi_db",
  "parameters": [],
  "services": [
    "set_region_of_interest",
    "get_regions_of_interest",
    "delete_regions_of_interest",
    "set_region_of_interest_2d",
    "get_regions_of_interest_2d",
    "delete_regions_of_interest_2d"
  ],
  "status": "running"
}
```

### Parameters

- **node** (*string*) – name of the node (*required*)

### Response Headers

- **Content-Type** – application/json application/ubjson

### Status Codes

- **200 OK** – successful operation (*returns NodeInfo*)
- **404 Not Found** – node not found

### Referenced Data Models

- *NodeInfo* (Section 7.3.3)

**GET** /nodes/{node}/services

Get descriptions of all services a global node offers.

### Template request

```
GET /api/v2/nodes/<node>/services HTTP/1.1
```

### Template response

```
HTTP/1.1 200 OK
Content-Type: application/json

[
  {
    "args": {},
    "description": "string",
    "name": "string",
    "response": {}
  }
]
```

### Parameters

- **node** (*string*) – name of the node (*required*)

### Response Headers

- **Content-Type** – application/json application/ubjson

**Status Codes**

- **200 OK** – successful operation (*returns array of Service*)
- **404 Not Found** – node not found

**Referenced Data Models**

- [Service](#) (Section 7.3.3)

**GET** /nodes/{node}/services/{service}

Get description of a global node's specific service.

**Template request**

```
GET /api/v2/nodes/<node>/services/<service> HTTP/1.1
```

**Template response**

```
HTTP/1.1 200 OK
Content-Type: application/json

{
  "args": {},
  "description": "string",
  "name": "string",
  "response": {}
}
```

**Parameters**

- **node** (*string*) – name of the node (*required*)
- **service** (*string*) – name of the service (*required*)

**Response Headers**

- **Content-Type** – application/json application/ubjson

**Status Codes**

- **200 OK** – successful operation (*returns Service*)
- **404 Not Found** – node or service not found

**Referenced Data Models**

- [Service](#) (Section 7.3.3)

**PUT** /nodes/{node}/services/{service}

Call a service of a node. The required args and resulting response depend on the specific node and service.

**Template request**

```
PUT /api/v2/nodes/<node>/services/<service> HTTP/1.1
Accept: application/json application/ubjson

{}
```

**Template response**

```

HTTP/1.1 200 OK
Content-Type: application/json

{
  "args": {},
  "description": "string",
  "name": "string",
  "response": {}
}

```

**Parameters**

- **node** (*string*) – name of the node (*required*)
- **service** (*string*) – name of the service (*required*)

**Request JSON Object**

- **service args** (*object*) – example args (*required*)

**Request Headers**

- **Accept** – application/json application/ubjson

**Response Headers**

- **Content-Type** – application/json application/ubjson

**Status Codes**

- **200 OK** – Service call completed (*returns Service*)
- **403 Forbidden** – Service call forbidden, e.g. because there is no valid license for this module.
- **404 Not Found** – node or service not found

**Referenced Data Models**

- [Service](#) (Section 7.3.3)

**GET /nodes/{node}/status**

Get status of a global node.

**Template request**

```
GET /api/v2/nodes/<node>/status HTTP/1.1
```

**Sample response**

```

HTTP/1.1 200 OK
Content-Type: application/json

{
  "status": "running",
  "timestamp": 1503075030.2335997,
  "values": []
}

```

**Parameters**

- **node** (*string*) – name of the node (*required*)

**Response Headers**

- **Content-Type** – application/json application/ubjson

**Status Codes**

- 200 OK – successful operation (*returns NodeStatus*)
- 404 Not Found – node not found

### Referenced Data Models

- *NodeStatus* (Section 7.3.3)

The following list includes all REST-API requests regarding the 3D camera, detection and configuration nodes' status, parameters, and services calls:

#### GET /pipelines/{pipeline}/nodes

Get list of all available nodes.

#### Template request

```
GET /api/v2/pipelines/<pipeline>/nodes HTTP/1.1
```

#### Sample response

```
HTTP/1.1 200 OK
Content-Type: application/json

[
  {
    "name": "rc_camera",
    "parameters": [
      "fps",
      "exp_auto",
      "exp_value",
      "exp_max"
    ],
    "services": [
      "reset_defaults"
    ],
    "status": "running"
  },
  {
    "name": "rc_hand_eye_calibration",
    "parameters": [
      "grid_width",
      "grid_height",
      "robot_mounted"
    ],
    "services": [
      "reset_defaults",
      "set_pose",
      "reset",
      "save",
      "calibrate",
      "get_calibration"
    ],
    "status": "idle"
  },
  {
    "name": "rc_stereomatching",
    "parameters": [
      "quality",
      "seg",
      "fill",
      "minconf",
      "mindepth",
      "maxdepth",
      "maxdeptherr"
    ]
  }
]
```

(continues on next page)

(continued from previous page)

```

    ],
    "services": [
      "reset_defaults"
    ],
    "status": "running"
  }
]

```

**Parameters**

- **pipeline** (*string*) – name of the pipeline (one of 0) (*required*)

**Response Headers**

- **Content-Type** – application/json application/ubjson

**Status Codes**

- **200 OK** – successful operation (*returns array of NodeInfo*)

**Referenced Data Models**

- *NodeInfo* (Section 7.3.3)

**GET** /pipelines/{pipeline}/nodes/{node}

Get info on a single node.

**Template request**

```
GET /api/v2/pipelines/<pipeline>/nodes/<node> HTTP/1.1
```

**Sample response**

```

HTTP/1.1 200 OK
Content-Type: application/json

{
  "name": "rc_camera",
  "parameters": [
    "fps",
    "exp_auto",
    "exp_value",
    "exp_max"
  ],
  "services": [
    "reset_defaults"
  ],
  "status": "running"
}

```

**Parameters**

- **pipeline** (*string*) – name of the pipeline (one of 0) (*required*)
- **node** (*string*) – name of the node (*required*)

**Response Headers**

- **Content-Type** – application/json application/ubjson

**Status Codes**

- **200 OK** – successful operation (*returns NodeInfo*)
- **404 Not Found** – node not found



**Referenced Data Models**

- [NodeInfo](#) (Section 7.3.3)

**GET** `/pipelines/{pipeline}/nodes/{node}/parameters`  
Get parameters of a node.

**Template request**

```
GET /api/v2/pipelines/<pipeline>/nodes/<node>/parameters?name=<name> HTTP/1.1
```

**Sample response**

```
HTTP/1.1 200 OK
Content-Type: application/json

[
  {
    "default": 25,
    "description": "Frames per second in Hz",
    "max": 25,
    "min": 1,
    "name": "fps",
    "type": "float64",
    "value": 25
  },
  {
    "default": true,
    "description": "Switching between auto and manual exposure",
    "max": true,
    "min": false,
    "name": "exp_auto",
    "type": "bool",
    "value": true
  },
  {
    "default": 0.007,
    "description": "Maximum exposure time in s if exp_auto is true",
    "max": 0.018,
    "min": 6.6e-05,
    "name": "exp_max",
    "type": "float64",
    "value": 0.007
  }
]
```

**Parameters**

- **pipeline** (*string*) – name of the pipeline (one of 0) (*required*)
- **node** (*string*) – name of the node (*required*)

**Query Parameters**

- **name** (*string*) – limit result to parameters with name (*optional*)

**Response Headers**

- **Content-Type** – application/json application/ubjson

**Status Codes**

- **200 OK** – successful operation (*returns array of Parameter*)
- **404 Not Found** – node not found

**Referenced Data Models**

- [Parameter](#) (Section 7.3.3)

**PUT /pipelines/{pipeline}/nodes/{node}/parameters**

Update multiple parameters.

**Template request**

```
PUT /api/v2/pipelines/<pipeline>/nodes/<node>/parameters HTTP/1.1
Accept: application/json application/ubjson

[
  {
    "name": "string",
    "value": {}
  }
]
```

**Sample response**

```
HTTP/1.1 200 OK
Content-Type: application/json

[
  {
    "default": 25,
    "description": "Frames per second in Hz",
    "max": 25,
    "min": 1,
    "name": "fps",
    "type": "float64",
    "value": 10
  },
  {
    "default": true,
    "description": "Switching between auto and manual exposure",
    "max": true,
    "min": false,
    "name": "exp_auto",
    "type": "bool",
    "value": false
  },
  {
    "default": 0.005,
    "description": "Manual exposure time in s if exp_auto is false",
    "max": 0.018,
    "min": 6.6e-05,
    "name": "exp_value",
    "type": "float64",
    "value": 0.005
  }
]
```

**Parameters**

- **pipeline** (*string*) – name of the pipeline (one of 0) (*required*)
- **node** (*string*) – name of the node (*required*)

**Request JSON Array of Objects**

- **parameters** (*ParameterNameValue*) – array of parameters (*required*)

**Request Headers**

- **Accept** – application/json application/ubjson

**Response Headers**

- **Content-Type** – application/json application/ubjson

**Status Codes**

- **200 OK** – successful operation (*returns array of Parameter*)
- **400 Bad Request** – invalid parameter value
- **403 Forbidden** – Parameter update forbidden, e.g. because they are locked by a running GigE Vision application or there is no valid license for this module.
- **404 Not Found** – node not found

**Referenced Data Models**

- [Parameter](#) (Section 7.3.3)
- [ParameterNameValue](#) (Section 7.3.3)

**GET** `/pipelines/{pipeline}/nodes/{node}/parameters/{param}`  
Get a specific parameter of a node.

**Template request**

```
GET /api/v2/pipelines/<pipeline>/nodes/<node>/parameters/<param> HTTP/1.1
```

**Sample response**

```
HTTP/1.1 200 OK
Content-Type: application/json

{
  "default": 25,
  "description": "Frames per second in Hertz",
  "max": 25,
  "min": 1,
  "name": "fps",
  "type": "float64",
  "value": 10
}
```

**Parameters**

- **pipeline** (*string*) – name of the pipeline (one of 0) (*required*)
- **node** (*string*) – name of the node (*required*)
- **param** (*string*) – name of the parameter (*required*)

**Response Headers**

- **Content-Type** – application/json application/ubjson

**Status Codes**

- **200 OK** – successful operation (*returns Parameter*)
- **404 Not Found** – node or parameter not found

**Referenced Data Models**

- [Parameter](#) (Section 7.3.3)

**PUT** `/pipelines/{pipeline}/nodes/{node}/parameters/{param}`  
Update a specific parameter of a node.

**Template request**

```
PUT /api/v2/pipelines/<pipeline>/nodes/<node>/parameters/<param> HTTP/1.1
Accept: application/json application/ubjson

{
  "value": {}
}
```

### Sample response

```
HTTP/1.1 200 OK
Content-Type: application/json

{
  "default": 25,
  "description": "Frames per second in Hertz",
  "max": 25,
  "min": 1,
  "name": "fps",
  "type": "float64",
  "value": 10
}
```

### Parameters

- **pipeline** (*string*) – name of the pipeline (one of 0) (*required*)
- **node** (*string*) – name of the node (*required*)
- **param** (*string*) – name of the parameter (*required*)

### Request JSON Object

- **parameter** (*ParameterValue*) – parameter to be updated as JSON object (*required*)

### Request Headers

- **Accept** – application/json application/ubjson

### Response Headers

- **Content-Type** – application/json application/ubjson

### Status Codes

- **200 OK** – successful operation (*returns Parameter*)
- **400 Bad Request** – invalid parameter value
- **403 Forbidden** – Parameter update forbidden, e.g. because they are locked by a running GigE Vision application or there is no valid license for this module.
- **404 Not Found** – node or parameter not found

### Referenced Data Models

- *Parameter* (Section 7.3.3)
- *ParameterValue* (Section 7.3.3)

**GET** /pipelines/{pipeline}/nodes/{node}/services  
Get descriptions of all services a node offers.

### Template request

```
GET /api/v2/pipelines/<pipeline>/nodes/<node>/services HTTP/1.1
```

### Sample response

```

HTTP/1.1 200 OK
Content-Type: application/json

[
  {
    "args": {},
    "description": "Restarts the module.",
    "name": "restart",
    "response": {
      "accepted": "bool",
      "current_state": "string"
    }
  },
  {
    "args": {},
    "description": "Starts the module.",
    "name": "start",
    "response": {
      "accepted": "bool",
      "current_state": "string"
    }
  },
  {
    "args": {},
    "description": "Stops the module.",
    "name": "stop",
    "response": {
      "accepted": "bool",
      "current_state": "string"
    }
  }
]

```

### Parameters

- **pipeline** (*string*) – name of the pipeline (one of 0) (*required*)
- **node** (*string*) – name of the node (*required*)

### Response Headers

- **Content-Type** – application/json application/ubjson

### Status Codes

- 200 OK – successful operation (*returns array of Service*)
- 404 Not Found – node not found

### Referenced Data Models

- *Service* (Section 7.3.3)

**GET** /pipelines/{pipeline}/nodes/{node}/services/{service}

Get description of a node's specific service.

### Template request

```
GET /api/v2/pipelines/<pipeline>/nodes/<node>/services/<service> HTTP/1.1
```

### Sample response

```

HTTP/1.1 200 OK
Content-Type: application/json

```

(continues on next page)

(continued from previous page)

```

{
  "args": {
    "pose": {
      "orientation": {
        "w": "float64",
        "x": "float64",
        "y": "float64",
        "z": "float64"
      },
      "position": {
        "x": "float64",
        "y": "float64",
        "z": "float64"
      }
    },
    "slot": "int32"
  },
  "description": "Save a pose (grid or gripper) for later calibration.",
  "name": "set_pose",
  "response": {
    "message": "string",
    "status": "int32",
    "success": "bool"
  }
}

```

**Parameters**

- **pipeline** (*string*) – name of the pipeline (one of 0) (*required*)
- **node** (*string*) – name of the node (*required*)
- **service** (*string*) – name of the service (*required*)

**Response Headers**

- **Content-Type** – application/json application/ubjson

**Status Codes**

- **200 OK** – successful operation (*returns Service*)
- **404 Not Found** – node or service not found

**Referenced Data Models**

- **Service** (Section 7.3.3)

**PUT /pipelines/{pipeline}/nodes/{node}/services/{service}**

Call a service of a node. The required args and resulting response depend on the specific node and service.

**Template request**

```

PUT /api/v2/pipelines/<pipeline>/nodes/<node>/services/<service> HTTP/1.1
Accept: application/json application/ubjson

{}

```

**Sample response**

```

HTTP/1.1 200 OK
Content-Type: application/json

```

(continues on next page)

(continued from previous page)

```

{
  "name": "set_pose",
  "response": {
    "message": "Grid detected, pose stored.",
    "status": 1,
    "success": true
  }
}

```

**Parameters**

- **pipeline** (*string*) – name of the pipeline (one of 0) (*required*)
- **node** (*string*) – name of the node (*required*)
- **service** (*string*) – name of the service (*required*)

**Request JSON Object**

- **service args** (*object*) – example args (*required*)

**Request Headers**

- **Accept** – application/json application/ubjson

**Response Headers**

- **Content-Type** – application/json application/ubjson

**Status Codes**

- **200 OK** – Service call completed (*returns Service*)
- **403 Forbidden** – Service call forbidden, e.g. because there is no valid license for this module.
- **404 Not Found** – node or service not found

**Referenced Data Models**

- [Service](#) (Section 7.3.3)

**GET /pipelines/{pipeline}/nodes/{node}/status**

Get status of a node.

**Template request**

```
GET /api/v2/pipelines/<pipeline>/nodes/<node>/status HTTP/1.1
```

**Sample response**

```

HTTP/1.1 200 OK
Content-Type: application/json

{
  "status": "running",
  "timestamp": 1503075030.2335997,
  "values": {
    "baseline": "0.0650542",
    "color": "0",
    "exp": "0.00426667",
    "focal": "0.844893",
    "fps": "25.1352",
    "gain": "12.0412",
    "height": "960",
    "temp_left": "39.6",

```

(continues on next page)

(continued from previous page)

```

    "temp_right": "38.2",
    "time": "0.00406513",
    "width": "1280"
  }
}

```

**Parameters**

- **pipeline** (*string*) – name of the pipeline (one of 0) (*required*)
- **node** (*string*) – name of the node (*required*)

**Response Headers**

- **Content-Type** – application/json application/ubjson

**Status Codes**

- **200 OK** – successful operation (*returns NodeStatus*)
- **404 Not Found** – node not found

**Referenced Data Models**

- **NodeStatus** (Section 7.3.3)

**7.3.2.2 UserSpace**

UserSpace information including running apps and their published ports can be queried via the userspace endpoint. An app can be of type container or compose (compose stack with potentially multiple containers).

**GET /userspace**

Get UserSpace information.

**Template request**

```
GET /api/v2/userspace HTTP/1.1
```

**Sample response**

```

HTTP/1.1 200 OK
Content-Type: application/json

{
  "apps": [
    {
      "containers": [
        {
          "host_ports": [
            {
              "port": 8888,
              "protocol": "http"
            }
          ],
          "name": "hello_rc_visard_ng",
          "status": "running"
        }
      ],
      "image": "roboception/hello_rc_visard_ng:latest",
      "name": "hello_rc_visard_ng",
      "type": "container"
    }
  ],
}

```

(continues on next page)



(continued from previous page)

```

{
  "containers": [
    {
      "host_ports": [
        {
          "port": 8080,
          "protocol": "http"
        }
      ],
      "image": "grafana/grafana:9.5.1",
      "name": "grafana",
      "status": "running"
    },
    {
      "host_ports": [
        {
          "port": 9090,
          "protocol": "http"
        }
      ],
      "image": "prom/prometheus:v2.43.0",
      "name": "prometheus",
      "status": "running"
    }
  ],
  "name": "rc_visard_monitoring",
  "type": "compose"
}
"available": true,
"enabled": true
}

```

**Response Headers**

- **Content-Type** – application/json application/ubjson

**Status Codes**

- **200 OK** – successful operation (*returns UserSpace*)

**Referenced Data Models**

- *UserSpace* (Section 7.3.3)

**PUT /userspace/configure**

Configure UserSpace (enable, disable or reset).

**Template request**

```

PUT /api/v2/userspace/configure?action=<action> HTTP/1.1
Accept: application/json application/ubjson

```

**Query Parameters**

- **action** (*string*) – Action to take (one of enable, disable, reset) (*required*)

**Request Headers**

- **Accept** – application/json application/ubjson

**Response Headers**

- **Content-Type** – application/json application/ubjson

### Status Codes

- 200 OK – successful operation

### GET /userspace/proxy

Get HTTP proxy settings for pulling container images and git repos.

#### Template request

```
GET /api/v2/userspace/proxy HTTP/1.1
```

#### Sample response

```
HTTP/1.1 200 OK
Content-Type: application/json

{
  "http_proxy": "http://10.0.1.45:8080",
  "https_proxy": "http://10.0.1.45:8080"
}
```

### Response Headers

- Content-Type – application/json application/ubjson

### Status Codes

- 200 OK – successful operation (*returns ProxySettings*)

### Referenced Data Models

- *ProxySettings* (Section 7.3.3)

### PUT /userspace/proxy

Set HTTP proxy settings for pulling container images and git repos.

#### Template request

```
PUT /api/v2/userspace/proxy HTTP/1.1
Accept: application/json application/ubjson

{}
```

#### Sample response

```
HTTP/1.1 200 OK
Content-Type: application/json

{
  "http_proxy": "http://10.0.1.45:8080",
  "https_proxy": "http://10.0.1.45:8080"
}
```

### Request JSON Object

- http\_proxy (*ProxySettings*) – (*optional*)

### Request Headers

- Accept – application/json application/ubjson

### Response Headers

- Content-Type – application/json application/ubjson

### Status Codes

- 200 OK – successful operation (*returns ProxySettings*)
- 400 Bad Request – invalid/missing arguments

#### Referenced Data Models

- *ProxySettings* (Section 7.3.3)

### 7.3.2.3 System and logs

The following resources and requests expose the *rc\_visard NG*'s system-level API. They enable

- access to log files (system-wide or module-specific)
- access to information about the device and run-time statistics such as date, MAC address, clock-time synchronization status, and available resources;
- management of installed software licenses; and
- the *rc\_visard NG* to be updated with a new firmware image.

#### GET /logs

Get list of available log files.

#### Template request

```
GET /api/v2/Logs HTTP/1.1
```

#### Sample response

```
HTTP/1.1 200 OK
Content-Type: application/json

[
  {
    "date": 1503060035.0625782,
    "name": "rcsense-api.log",
    "size": 730
  },
  {
    "date": 1503060035.741574,
    "name": "stereo.log",
    "size": 39024
  },
  {
    "date": 1503060044.0475223,
    "name": "camera.log",
    "size": 1091
  }
]
```

#### Response Headers

- *Content-Type* – application/json application/ubjson

#### Status Codes

- 200 OK – successful operation (*returns array of LogInfo*)

#### Referenced Data Models

- *LogInfo* (Section 7.3.3)

#### GET /logs/{log}

Get a log file. Content type of response depends on parameter 'format'.

#### Template request

```
GET /api/v2/logs/<log>?format=<format>&limit=<limit> HTTP/1.1
```

### Sample response

```
HTTP/1.1 200 OK
Content-Type: application/json

{
  "date": 1581609251.8168414,
  "log": [
    {
      "component": "rc_gev_server",
      "level": "INFO",
      "message": "Application from IP 10.0.1.7 registered with control access.",
      "timestamp": 1581609249.61
    },
    {
      "component": "rc_gev_server",
      "level": "INFO",
      "message": "Application from IP 10.0.1.7 deregistered.",
      "timestamp": 1581609249.739
    },
    {
      "component": "rc_gev_server",
      "level": "INFO",
      "message": "Application from IP 10.0.1.7 registered with control access.",
      "timestamp": 1581609250.94
    },
    {
      "component": "rc_gev_server",
      "level": "INFO",
      "message": "Application from IP 10.0.1.7 deregistered.",
      "timestamp": 1581609251.819
    }
  ],
  "name": "gev.log",
  "size": 42112
}
```

### Parameters

- **log** (*string*) – name of the log file (*required*)

### Query Parameters

- **format** (*string*) – return log as JSON or raw (one of json, raw; default: json) (*optional*)
- **limit** (*integer*) – limit to last x lines in JSON format (default: 100) (*optional*)

### Response Headers

- **Content-Type** – text/plain application/json

### Status Codes

- 200 OK – successful operation (*returns Log*)
- 404 Not Found – log not found

### Referenced Data Models

- [Log](#) (Section 7.3.3)

### GET /system

Get system information on sensor.

### Template request

```
GET /api/v2/system HTTP/1.1
```

### Sample response

```
HTTP/1.1 200 OK
Content-Type: application/json

{
  "dns": {
    "dns_servers": [
      "10.0.0.1",
      "1.1.1.1"
    ],
    "manual_dns_servers": [
      "1.1.1.1"
    ]
  },
  "firmware": {
    "active_image": {
      "image_version": "rc_visard_v1.1.0"
    },
    "fallback_booted": true,
    "inactive_image": {
      "image_version": "rc_visard_v1.0.0"
    },
    "next_boot_image": "active_image"
  },
  "hostname": "rc-visard-ng-1421823000987",
  "link_speed": 1000,
  "mac": "00:14:2D:2B:D8:AB",
  "ntp": {
    "enabled": true,
    "manual_ntp_servers": [
      "10.0.0.1"
    ],
    "offset": -3.2666e-05,
    "selected_ntp_servers": [
      "10.0.0.1"
    ],
    "synchronized": true
  },
  "ptp_status": {
    "master_ip": "",
    "offset": 0,
    "offset_dev": 0,
    "offset_mean": 0,
    "state": "off"
  },
  "ready": true,
  "serial": "1421823000987",
  "time": 1504080462.641875,
  "uptime": 65457.42
}
```

### Response Headers

- **Content-Type** – application/json application/ubjson

### Status Codes

- **200 OK** – successful operation (*returns SysInfo*)

### Referenced Data Models

- [SysInfo](#) (Section 7.3.3)

#### GET /system/backup

Get backup.

#### Template request

```
GET /api/v2/system/backup?pipelines=<pipelines>&load_carriers=<load_carriers>&regions_of_
↪interest=<regions_of_interest>&grippers=<grippers> HTTP/1.1
```

#### Query Parameters

- **pipelines** (*boolean*) – backup pipelines with node settings, i.e. parameters and preferred\_orientation (default: True) (*optional*)
- **load\_carriers** (*boolean*) – backup load\_carriers (default: True) (*optional*)
- **regions\_of\_interest** (*boolean*) – backup regions\_of\_interest (default: True) (*optional*)
- **grippers** (*boolean*) – backup grippers (default: True) (*optional*)

#### Response Headers

- **Content-Type** – application/json application/ubjson

#### Status Codes

- **200 OK** – successful operation

#### POST /system/backup

Restore backup.

#### Template request

```
POST /api/v2/system/backup HTTP/1.1
Accept: application/json application/ubjson

{}
```

#### Sample response

```
HTTP/1.1 200 OK
Content-Type: application/json

{
  "return_code": {
    "message": "backup restored",
    "value": 0
  },
  "warnings": []
}
```

#### Request JSON Object

- **backup** (*object*) – backup data as json object (*required*)

#### Request Headers

- **Accept** – application/json application/ubjson

#### Response Headers

- **Content-Type** – application/json application/ubjson

**Status Codes**

- 200 OK – successful operation

**GET** /system/ca\_certificates

Get ca-certificates.

**Template request**

```
GET /api/v2/system/ca_certificates HTTP/1.1
```

**Response Headers**

- Content-Type – application/json

**Status Codes**

- 200 OK – successful operation

**GET** /system/ca\_certificates/{id}

Get ca-certificate file or details.

**Template request**

```
GET /api/v2/system/ca_certificates/<id> HTTP/1.1
```

**Parameters**

- **id** (*string*) – ID/filename without extension (*required*)

**Response Headers**

- Content-Type – application/json application/octet-stream

**Status Codes**

- 200 OK – successful operation
- 404 Not Found – crt file not found

**PUT** /system/ca\_certificates/{id}

Create or update a crt file.

**Template request**

```
PUT /api/v2/system/ca_certificates/<id> HTTP/1.1
Accept: multipart/form-data application/json
```

**Parameters**

- **id** (*string*) – ID/filename without extension (*required*)

**Form Parameters**

- **file** – crt file (*required*)

**Request Headers**

- Accept – multipart/form-data application/json

**Response Headers**

- Content-Type – application/json

**Status Codes**

- 200 OK – successful operation
- 400 Bad Request – crt is not valid or max number of elements reached

- 413 Request Entity Too Large – File too large

**DELETE /system/ca\_certificates/{id}**

Remove a crt file.

**Template request**

```
DELETE /api/v2/system/ca_certificates/<id> HTTP/1.1
Accept: application/json
```

**Parameters**

- **id** (*string*) – ID/filename without extension (*required*)

**Request Headers**

- **Accept** – application/json

**Response Headers**

- **Content-Type** – application/json

**Status Codes**

- 200 OK – successful operation
- 404 Not Found – element not found

**GET /system/dns**

Get DNS settings.

**Template request**

```
GET /api/v2/system/dns HTTP/1.1
```

**Sample response**

```
HTTP/1.1 200 OK
Content-Type: application/json

{
  "dns": {
    "dns_servers": [
      "10.0.0.1",
      "1.1.1.1"
    ],
    "manual_dns_servers": [
      "1.1.1.1"
    ]
  }
}
```

**Response Headers**

- **Content-Type** – application/json application/ubjson

**Status Codes**

- 200 OK – successful operation (*returns DNS*)

**Referenced Data Models**

- [DNS](#) (Section 7.3.3)



**PUT /system/dns**

Set manual DNS servers.

**Template request**

```
PUT /api/v2/system/dns HTTP/1.1
Accept: application/json application/ubjson

{}
```

**Sample response**

```
HTTP/1.1 200 OK
Content-Type: application/json

{
  "dns": {
    "dns_servers": [
      "10.0.0.1",
      "1.1.1.1"
    ],
    "manual_dns_servers": [
      "1.1.1.1"
    ]
  }
}
```

**Request JSON Object**

- **manual\_dns\_servers** (*ManualDNSServers*) – Manual DNS servers (*required*)

**Request Headers**

- **Accept** – application/json application/ubjson

**Response Headers**

- **Content-Type** – application/json application/ubjson

**Status Codes**

- **200 OK** – successful operation (*returns DNS*)
- **400 Bad Request** – invalid/missing arguments

**Referenced Data Models**

- [ManualDNSServers](#) (Section 7.3.3)
- [DNS](#) (Section 7.3.3)

**GET /system/license**

Get information about licenses installed on sensor.

**Template request**

```
GET /api/v2/system/license HTTP/1.1
```

**Sample response**

```
HTTP/1.1 200 OK
Content-Type: application/json

{
  "components": {
    "calibration": true,

```

(continues on next page)

(continued from previous page)

```
"hand_eye_calibration": true,  
"rectification": true,  
"self_calibration": true,  
"stereo": true  
},  
"valid": true  
}
```

### Response Headers

- **Content-Type** – application/json application/ubjson

### Status Codes

- **200 OK** – successful operation (*returns LicenseInfo*)

### Referenced Data Models

- *LicenseInfo* (Section 7.3.3)

## POST /system/license

Update license on sensor with a license file.

### Template request

```
POST /api/v2/system/license HTTP/1.1  
Accept: multipart/form-data
```

### Form Parameters

- **file** – license file (*required*)

### Request Headers

- **Accept** – multipart/form-data

### Status Codes

- **200 OK** – successful operation
- **400 Bad Request** – not a valid license

## GET /system/max\_power\_test

Get last max power test result.

### Template request

```
GET /api/v2/system/max_power_test HTTP/1.1
```

### Response Headers

- **Content-Type** – application/json

### Status Codes

- **200 OK** – successful operation

## POST /system/max\_power\_test

Run max power test. Fully load GPU (and CPU) to consume max power for 10 seconds to test the power supply. **WARNING:** The system might not return a response due to immediate reboot if the power supply is insufficient.

### Template request

```
POST /api/v2/system/max_power_test?nocpu=<nocpu> HTTP/1.1
```

#### Query Parameters

- `nocpu` (*boolean*) – Don't run CPU workers and only load the GPU. (*optional*)

#### Response Headers

- `Content-Type` – application/json

#### Status Codes

- `200 OK` – Test finished. See `return_code` for result.
- `400 Bad Request` – Test already running.

GET /system/network

Get current network configuration.

#### Template request

```
GET /api/v2/system/network HTTP/1.1
```

#### Sample response

```
HTTP/1.1 200 OK
Content-Type: application/json

{
  "current_method": "DHCP",
  "default_gateway": "10.0.3.254",
  "ip_address": "10.0.1.41",
  "settings": {
    "dhcp_enabled": true,
    "persistent_default_gateway": "",
    "persistent_ip_address": "192.168.0.10",
    "persistent_ip_enabled": false,
    "persistent_subnet_mask": "255.255.255.0"
  },
  "subnet_mask": "255.255.252.0"
}
```

#### Response Headers

- `Content-Type` – application/json application/ubjson

#### Status Codes

- `200 OK` – successful operation (*returns NetworkInfo*)

#### Referenced Data Models

- [NetworkInfo](#) (Section 7.3.3)

GET /system/network/settings

Get current network settings.

#### Template request

```
GET /api/v2/system/network/settings HTTP/1.1
```

#### Sample response

```
HTTP/1.1 200 OK
Content-Type: application/json

{
  "dhcp_enabled": true,
  "persistent_default_gateway": "",
  "persistent_ip_address": "192.168.0.10",
  "persistent_ip_enabled": false,
  "persistent_subnet_mask": "255.255.255.0"
}
```

#### Response Headers

- **Content-Type** – application/json application/ubjson

#### Status Codes

- **200 OK** – successful operation (*returns NetworkSettings*)

#### Referenced Data Models

- *NetworkSettings* (Section 7.3.3)

**PUT** /system/network/settings  
Set current network settings.

#### Template request

```
PUT /api/v2/system/network/settings HTTP/1.1
Accept: application/json application/ubjson

{}
```

#### Sample response

```
HTTP/1.1 200 OK
Content-Type: application/json

{
  "dhcp_enabled": true,
  "persistent_default_gateway": "",
  "persistent_ip_address": "192.168.0.10",
  "persistent_ip_enabled": false,
  "persistent_subnet_mask": "255.255.255.0"
}
```

#### Request JSON Object

- **settings** (*NetworkSettings*) – network settings to apply (*required*)

#### Request Headers

- **Accept** – application/json application/ubjson

#### Response Headers

- **Content-Type** – application/json application/ubjson

#### Status Codes

- **200 OK** – successful operation (*returns NetworkSettings*)
- **400 Bad Request** – invalid/missing arguments
- **403 Forbidden** – Changing network settings forbidden because this is locked by a running GigE Vision application.

### Referenced Data Models

- [NetworkSettings](#) (Section 7.3.3)

#### GET /system/ntp

Get NTP settings.

#### Template request

```
GET /api/v2/system/ntp HTTP/1.1
```

#### Sample response

```
HTTP/1.1 200 OK
Content-Type: application/json

{
  "ntp": {
    "enabled": true,
    "manual_ntp_servers": [
      "10.0.0.1"
    ],
    "offset": -3.2666e-05,
    "selected_ntp_servers": [
      "10.0.0.1"
    ],
    "synchronized": true
  }
}
```

### Response Headers

- **Content-Type** – application/json application/ubjson

### Status Codes

- **200 OK** – successful operation (*returns NTP*)

### Referenced Data Models

- [NTP](#) (Section 7.3.3)

#### PUT /system/ntp

Set manual NTP servers.

#### Template request

```
PUT /api/v2/system/ntp HTTP/1.1
Accept: application/json application/ubjson

{}
```

#### Sample response

```
HTTP/1.1 200 OK
Content-Type: application/json

{
  "ntp": {
    "enabled": true,
    "manual_ntp_servers": [
      "10.0.0.1"
    ],
    "offset": -3.2666e-05,
  }
}
```

(continues on next page)

(continued from previous page)

```

"selected_ntp_servers": [
  "10.0.0.1"
],
"synchronized": true
}
}

```

**Request JSON Object**

- `manual_ntp_servers` (*ManualNTPServers*) – Manual NTP servers (*required*)

**Request Headers**

- `Accept` – application/json application/ubjson

**Response Headers**

- `Content-Type` – application/json application/ubjson

**Status Codes**

- 200 OK – successful operation (*returns NTP*)
- 400 Bad Request – invalid/missing arguments

**Referenced Data Models**

- *ManualNTPServers* (Section 7.3.3)
- *NTP* (Section 7.3.3)

**PUT /system/reboot**

Reboot the device.

**Template request**

```
PUT /api/v2/system/reboot HTTP/1.1
```

**Status Codes**

- 200 OK – successful operation

**GET /system/rollback**

Get information about currently active and inactive firmware/system images on device.

**Template request**

```
GET /api/v2/system/rollback HTTP/1.1
```

**Sample response**

```

HTTP/1.1 200 OK
Content-Type: application/json

{
  "active_image": {
    "image_version": "rc_visard_ng_v22.10.0"
  },
  "fallback_booted": false,
  "inactive_image": {
    "image_version": "rc_visard_ng_v22.10.0"
  },
  "next_boot_image": "active_image"
}

```

**Response Headers**

- **Content-Type** – application/json application/ubjson

**Status Codes**

- **200 OK** – successful operation (*returns FirmwareInfo*)

**Referenced Data Models**

- *FirmwareInfo* (Section 7.3.3)

**PUT /system/rollback**

Rollback to previous firmware version (inactive system image).

**Template request**

```
PUT /api/v2/system/rollback HTTP/1.1
```

**Status Codes**

- **200 OK** – successful operation
- **400 Bad Request** – already set to use inactive partition on next boot
- **500 Internal Server Error** – internal error

**GET /system/time**

Get system time in UTC as string with format “YYYY-MM-DD hh:mm:ss”

**Template request**

```
GET /api/v2/system/time HTTP/1.1
```

**Sample response**

```
HTTP/1.1 200 OK
Content-Type: application/json

{
  "utc": "2023-10-05 08:35:26"
}
```

**Response Headers**

- **Content-Type** – application/json application/ubjson

**Status Codes**

- **200 OK** – successful operation

**PUT /system/time**

Set system time in UTC as string with format “YYYY-MM-DD hh:mm:ss”

**Template request**

```
PUT /api/v2/system/time?utc=<utc> HTTP/1.1
```

**Sample response**

```
HTTP/1.1 200 OK
Content-Type: application/json

{
  "utc": "2023-10-05 08:35:26"
}
```

**Query Parameters**

- **utc** (*string*) – Time in UTC as string with format “YYYY-MM-DD hh:mm:ss” (*required*)

**Response Headers**

- **Content-Type** – application/json application/ubjson

**Status Codes**

- **200 OK** – successful operation
- **400 Bad Request** – invalid/missing arguments
- **403 Forbidden** – Changing time forbidden because time is synchronized via NTP or PTP.

**GET /system/ui\_lock**

Get UI lock status.

**Template request**

```
GET /api/v2/system/ui_lock HTTP/1.1
```

**Sample response**

```
HTTP/1.1 200 OK
Content-Type: application/json

{
  "enabled": false
}
```

**Response Headers**

- **Content-Type** – application/json application/ubjson

**Status Codes**

- **200 OK** – successful operation (*returns UILock*)

**Referenced Data Models**

- [UILock](#) (Section 7.3.3)

**DELETE /system/ui\_lock**

Remove UI lock.

**Template request**

```
DELETE /api/v2/system/ui_lock HTTP/1.1
```

**Sample response**

```
HTTP/1.1 200 OK
Content-Type: application/json

{
  "enabled": false,
  "valid": false
}
```

**Response Headers**

- **Content-Type** – application/json application/ubjson



### Status Codes

- 200 OK – successful operation

**POST** /system/ui\_lock  
Verify or set UI lock.

### Template request

```
POST /api/v2/system/ui_lock?hash=<hash>&set=<set> HTTP/1.1
```

### Sample response

```
HTTP/1.1 200 OK
Content-Type: application/json

{
  "enabled": true,
  "valid": true
}
```

### Query Parameters

- **hash** (*string*) – hash of the UI lock password (*required*)
- **set** (*boolean*) – set new hash instead of verifying (*optional*)

### Response Headers

- **Content-Type** – application/json application/ubjson

### Status Codes

- 200 OK – successful operation

**GET** /system/update  
Get information about currently active and inactive firmware/system images on device.

### Template request

```
GET /api/v2/system/update HTTP/1.1
```

### Sample response

```
HTTP/1.1 200 OK
Content-Type: application/json

{
  "active_image": {
    "image_version": "rc_visard_ng_v22.10.0"
  },
  "fallback_booted": false,
  "inactive_image": {
    "image_version": "rc_visard_ng_v22.10.0"
  },
  "next_boot_image": "active_image"
}
```

### Response Headers

- **Content-Type** – application/json application/ubjson

### Status Codes

- 200 OK – successful operation (*returns FirmwareInfo*)

**Referenced Data Models**

- [FirmwareInfo](#) (Section 7.3.3)

**POST /system/update**

Update firmware/system image with a mender artifact. Reboot is required afterwards in order to activate updated firmware version.

**Template request**

```
POST /api/v2/system/update HTTP/1.1
Accept: multipart/form-data
```

**Form Parameters**

- **file** – mender artifact file (*required*)

**Request Headers**

- **Accept** – multipart/form-data

**Status Codes**

- **200 OK** – successful operation
- **400 Bad Request** – client error, e.g. no valid mender artifact

**7.3.3 Data type definitions**

The REST-API defines the following data models, which are used to access or modify *the available resources* (Section 7.3.2) either as required attributes/parameters of the requests or as return types.

**DNS:** DNS settings.

An object of type DNS has the following properties:

- **dns\_servers** (array of string)
- **manual\_dns\_servers** (array of string)

**Template object**

```
{
  "dns_servers": [
    "string",
    "string"
  ],
  "manual_dns_servers": [
    "string",
    "string"
  ]
}
```

DNS objects are nested in [SysInfo](#), and are used in the following requests:

- [GET /system/dns](#)
- [PUT /system/dns](#)

**FirmwareInfo:** Information about currently active and inactive firmware images, and what image is/will be booted.

An object of type FirmwareInfo has the following properties:

- **active\_image** ([ImageInfo](#)) - see description of [ImageInfo](#)
- **fallback\_booted** (boolean) - true if desired image could not be booted and fallback boot to the previous image occurred

- **inactive\_image** (*ImageInfo*) - see description of *ImageInfo*
- **next\_boot\_image** (string) - firmware image that will be booted next time (one of active\_image, inactive\_image)

#### Template object

```
{
  "active_image": {
    "image_version": "string"
  },
  "fallback_booted": false,
  "inactive_image": {
    "image_version": "string"
  },
  "next_boot_image": "string"
}
```

FirmwareInfo objects are nested in *SysInfo*, and are used in the following requests:

- *GET /system/rollback*
- *GET /system/update*

#### GripperElement: CAD gripper element

An object of type GripperElement has the following properties:

- **id** (string) - Unique identifier of the element

#### Template object

```
{
  "id": "string"
}
```

GripperElement objects are used in the following requests:

- *GET /cad/gripper\_elements*
- *GET /cad/gripper\_elements/{id}*
- *PUT /cad/gripper\_elements/{id}*

#### HostPort: Port exposed on host

An object of type HostPort has the following properties:

- **port** (integer)
- **protocol** (string)

#### Template object

```
{
  "port": 0,
  "protocol": "string"
}
```

HostPort objects are nested in *UserSpaceContainer*.

#### ImageInfo: Information about specific firmware image.

An object of type ImageInfo has the following properties:

- **image\_version** (string) - image version

#### Template object

```
{
  "image_version": "string"
}
```

ImageInfo objects are nested in *FirmwareInfo*.

**LicenseComponentConstraint:** Constraints on the module version.

An object of type LicenseComponentConstraint has the following properties:

- **max\_version** (string) - optional maximum supported version (exclusive)
- **min\_version** (string) - optional minimum supported version (inclusive)

**Template object**

```
{
  "max_version": "string",
  "min_version": "string"
}
```

LicenseComponentConstraint objects are nested in *LicenseConstraints*.

**LicenseComponents:** List of the licensing status of the individual software modules. The respective flag is true if the module is unlocked with the currently applied software license.

An object of type LicenseComponents has the following properties:

- **hand\_eye\_calibration** (boolean) - hand-eye calibration module
- **rectification** (boolean) - image rectification module
- **stereo** (boolean) - stereo matching module

**Template object**

```
{
  "hand_eye_calibration": false,
  "rectification": false,
  "stereo": false
}
```

LicenseComponents objects are nested in *LicenseInfo*.

**LicenseConstraints:** Version constrains for modules.

An object of type LicenseConstraints has the following properties:

- **image\_version** (*LicenseComponentConstraint*) - see description of *LicenseComponentConstraint*

**Template object**

```
{
  "image_version": {
    "max_version": "string",
    "min_version": "string"
  }
}
```

LicenseConstraints objects are nested in *LicenseInfo*.

**LicenseInfo:** Information about the currently applied software license on the device.

An object of type LicenseInfo has the following properties:

- **components** (*LicenseComponents*) - see description of *LicenseComponents*
- **components\_constraints** (*LicenseConstraints*) - see description of *LicenseConstraints*

- **valid** (boolean) - indicates whether the license is valid or not

#### Template object

```
{
  "components": {
    "hand_eye_calibration": false,
    "rectification": false,
    "stereo": false
  },
  "components_constraints": {
    "image_version": {
      "max_version": "string",
      "min_version": "string"
    }
  },
  "valid": false
}
```

LicenseInfo objects are used in the following requests:

- *GET /system/license*

**Log:** Content of a specific log file represented in JSON format.

An object of type Log has the following properties:

- **date** (float) - UNIX time when log was last modified
- **log** (array of *LogEntry*) - the actual log entries
- **name** (string) - name of log file
- **size** (integer) - size of log file in bytes

#### Template object

```
{
  "date": 0,
  "log": [
    {
      "component": "string",
      "level": "string",
      "message": "string",
      "timestamp": 0
    },
    {
      "component": "string",
      "level": "string",
      "message": "string",
      "timestamp": 0
    }
  ],
  "name": "string",
  "size": 0
}
```

Log objects are used in the following requests:

- *GET /logs/{log}*

**LogEntry:** Representation of a single log entry in a log file.

An object of type LogEntry has the following properties:

- **component** (string) - module name that created this entry
- **level** (string) - log level (one of DEBUG, INFO, WARN, ERROR, FATAL)

- **message** (string) - actual log message
- **timestamp** (float) - Unix time of log entry

#### Template object

```
{
  "component": "string",
  "level": "string",
  "message": "string",
  "timestamp": 0
}
```

LogEntry objects are nested in [Log](#).

**LogInfo:** Information about a specific log file.

An object of type LogInfo has the following properties:

- **date** (float) - UNIX time when log was last modified
- **name** (string) - name of log file
- **size** (integer) - size of log file in bytes

#### Template object

```
{
  "date": 0,
  "name": "string",
  "size": 0
}
```

LogInfo objects are used in the following requests:

- [GET /logs](#)

**ManualDNSServers:** List of manual DNS servers.

An object of type ManualDNSServers has the following properties:

- **manual\_dns\_servers** (array of string)

#### Template object

```
{
  "manual_dns_servers": [
    "string",
    "string"
  ]
}
```

ManualDNSServers objects are used in the following requests:

- [PUT /system/dns](#)

**ManualNTPServers:** List of manual NTP servers.

An object of type ManualNTPServers has the following properties:

- **manual\_ntp\_servers** (array of string)

#### Template object

```
{
  "manual_ntp_servers": [
    "string",
    "string"
  ]
}
```

(continues on next page)

(continued from previous page)

```

    ]
  }

```

ManualNTPServers objects are used in the following requests:

- [PUT /system/ntp](#)

**NTP:** Status of the NTP time sync.

An object of type NTP has the following properties:

- **enabled** (boolean) - NTP is enabled
- **manual\_ntp\_servers** (array of string)
- **offset** (string) - time sync offset reported by NTP
- **selected\_ntp\_servers** (array of string)
- **synchronized** (boolean) - synchronized with NTP server

#### Template object

```

{
  "enabled": false,
  "manual_ntp_servers": [
    "string",
    "string"
  ],
  "offset": "string",
  "selected_ntp_servers": [
    "string",
    "string"
  ],
  "synchronized": false
}

```

NTP objects are nested in [SysInfo](#), and are used in the following requests:

- [GET /system/ntp](#)
- [PUT /system/ntp](#)

**NetworkInfo:** Current network configuration.

An object of type NetworkInfo has the following properties:

- **current\_method** (string) - method by which current settings were applied (one of INIT, LinkLocal, DHCP, PersistentIP, TemporaryIP)
- **default\_gateway** (string) - current default gateway
- **ip\_address** (string) - current IP address
- **settings** ([NetworkSettings](#)) - see description of [NetworkSettings](#)
- **subnet\_mask** (string) - current subnet mask

#### Template object

```

{
  "current_method": "string",
  "default_gateway": "string",
  "ip_address": "string",
  "settings": {
    "dhcp_enabled": false,
    "persistent_default_gateway": "string",
    "persistent_ip_address": "string",

```

(continues on next page)

(continued from previous page)

```

    "persistent_ip_enabled": false,
    "persistent_subnet_mask": "string"
  },
  "subnet_mask": "string"
}

```

NetworkInfo objects are nested in *SysInfo*, and are used in the following requests:

- *GET /system/network*

**NetworkSettings:** Current network settings.

An object of type NetworkSettings has the following properties:

- **dhcp\_enabled** (boolean) - DHCP enabled
- **persistent\_default\_gateway** (string) - Persistent default gateway
- **persistent\_ip\_address** (string) - Persistent IP address
- **persistent\_ip\_enabled** (boolean) - Persistent IP enabled
- **persistent\_subnet\_mask** (string) - Persistent subnet mask

**Template object**

```

{
  "dhcp_enabled": false,
  "persistent_default_gateway": "string",
  "persistent_ip_address": "string",
  "persistent_ip_enabled": false,
  "persistent_subnet_mask": "string"
}

```

NetworkSettings objects are nested in *NetworkInfo*, and are used in the following requests:

- *GET /system/network/settings*
- *PUT /system/network/settings*

**NodeInfo:** Description of a computational node running on device.

An object of type NodeInfo has the following properties:

- **name** (string) - name of the node
- **parameters** (array of string) - list of the node's run-time parameters
- **services** (array of string) - list of the services this node offers
- **status** (string) - status of the node (one of unknown, down, idle, running)

**Template object**

```

{
  "name": "string",
  "parameters": [
    "string",
    "string"
  ],
  "services": [
    "string",
    "string"
  ],
  "status": "string"
}

```

NodeInfo objects are used in the following requests:



- *GET /nodes*
- *GET /nodes/{node}*
- *GET /pipelines/{pipeline}/nodes*
- *GET /pipelines/{pipeline}/nodes/{node}*

**NodeStatus:** Detailed current status of the node including run-time statistics.

An object of type NodeStatus has the following properties:

- **status** (string) - status of the node (one of unknown, down, idle, running)
- **timestamp** (float) - Unix time when values were last updated
- **values** (object) - dictionary with current status/statistics of the node

#### Template object

```
{
  "status": "string",
  "timestamp": 0,
  "values": {}
}
```

NodeStatus objects are used in the following requests:

- *GET /nodes/{node}/status*
- *GET /pipelines/{pipeline}/nodes/{node}/status*

**Parameter:** Representation of a node's run-time parameter. The parameter's 'value' type (and hence the types of the 'min', 'max' and 'default' fields) can be inferred from the 'type' field and might be one of the built-in primitive data types.

An object of type Parameter has the following properties:

- **default** (type not defined) - the parameter's default value
- **description** (string) - description of the parameter
- **max** (type not defined) - maximum value this parameter can be assigned to
- **min** (type not defined) - minimum value this parameter can be assigned to
- **name** (string) - name of the parameter
- **type** (string) - the parameter's primitive type represented as string (one of bool, int8, uint8, int16, uint16, int32, uint32, int64, uint64, float32, float64, string)
- **value** (type not defined) - the parameter's current value

#### Template object

```
{
  "default": {},
  "description": "string",
  "max": {},
  "min": {},
  "name": "string",
  "type": "string",
  "value": {}
}
```

Parameter objects are used in the following requests:

- *GET /pipelines/{pipeline}/nodes/{node}/parameters*
- *PUT /pipelines/{pipeline}/nodes/{node}/parameters*
- *GET /pipelines/{pipeline}/nodes/{node}/parameters/{param}*

- [PUT /pipelines/{pipeline}/nodes/{node}/parameters/{param}](#)

**ParameterNameValue:** Parameter name and value. The parameter's 'value' type (and hence the types of the 'min', 'max' and 'default' fields) can be inferred from the 'type' field and might be one of the built-in primitive data types.

An object of type ParameterNameValue has the following properties:

- **name** (string) - name of the parameter
- **value** (type not defined) - the parameter's current value

#### Template object

```
{
  "name": "string",
  "value": {}
}
```

ParameterNameValue objects are used in the following requests:

- [PUT /pipelines/{pipeline}/nodes/{node}/parameters](#)

**ParameterValue:** Parameter value. The parameter's 'value' type (and hence the types of the 'min', 'max' and 'default' fields) can be inferred from the 'type' field and might be one of the built-in primitive data types.

An object of type ParameterValue has the following properties:

- **value** (type not defined) - the parameter's current value

#### Template object

```
{
  "value": {}
}
```

ParameterValue objects are used in the following requests:

- [PUT /pipelines/{pipeline}/nodes/{node}/parameters/{param}](#)

**ProxySettings:** HTTP proxy settings for pulling container images and git repos

An object of type ProxySettings has the following properties:

- **http\_proxy** (string) - HTTP proxy
- **https\_proxy** (string) - HTTPS proxy

#### Template object

```
{
  "http_proxy": "string",
  "https_proxy": "string"
}
```

ProxySettings objects are nested in [UserSpace](#), and are used in the following requests:

- [GET /userspace/proxy](#)
- [PUT /userspace/proxy](#)

**PtpStatus:** Status of the IEEE1588 (PTP) time sync.

An object of type PtpStatus has the following properties:

- **master\_ip** (string) - IP of the master clock
- **offset** (float) - time offset in seconds to the master
- **offset\_dev** (float) - standard deviation of time offset in seconds to the master

- **offset\_mean** (float) - mean time offset in seconds to the master
- **state** (string) - state of PTP (one of off, unknown, INITIALIZING, FAULTY, DISABLED, LISTENING, PASSIVE, UNCALIBRATED, SLAVE)

#### Template object

```
{
  "master_ip": "string",
  "offset": 0,
  "offset_dev": 0,
  "offset_mean": 0,
  "state": "string"
}
```

PtpStatus objects are nested in [SysInfo](#).

**Service:** Representation of a service that a node offers.

An object of type Service has the following properties:

- **args** ([ServiceArgs](#)) - see description of [ServiceArgs](#)
- **description** (string) - short description of this service
- **name** (string) - name of the service
- **response** ([ServiceResponse](#)) - see description of [ServiceResponse](#)

#### Template object

```
{
  "args": {},
  "description": "string",
  "name": "string",
  "response": {}
}
```

Service objects are used in the following requests:

- [GET /nodes/{node}/services](#)
- [GET /nodes/{node}/services/{service}](#)
- [PUT /nodes/{node}/services/{service}](#)
- [GET /pipelines/{pipeline}/nodes/{node}/services](#)
- [GET /pipelines/{pipeline}/nodes/{node}/services/{service}](#)
- [PUT /pipelines/{pipeline}/nodes/{node}/services/{service}](#)

**ServiceArgs:** Arguments required to call a service with. The general representation of these arguments is a (nested) dictionary. The specific content of this dictionary depends on the respective node and service call.

ServiceArgs objects are nested in [Service](#).

**ServiceResponse:** The response returned by the service call. The general representation of this response is a (nested) dictionary. The specific content of this dictionary depends on the respective node and service call.

ServiceResponse objects are nested in [Service](#).

**SysInfo:** System information about the device.

An object of type SysInfo has the following properties:

- **dns** ([DNS](#)) - see description of [DNS](#)
- **firmware** ([FirmwareInfo](#)) - see description of [FirmwareInfo](#)

- **hostname** (string) - Hostname
- **link\_speed** (integer) - Ethernet link speed in Mbps
- **mac** (string) - MAC address
- **network** (*NetworkInfo*) - see description of *NetworkInfo*
- **ntp** (*NTP*) - see description of *NTP*
- **ptp\_status** (*PtpStatus*) - see description of *PtpStatus*
- **ready** (boolean) - system is fully booted and ready
- **serial** (string) - device serial number
- **time** (float) - system time as Unix timestamp
- **ui\_lock** (*UILock*) - see description of *UILock*
- **uptime** (float) - system uptime in seconds

### Template object

```
{
  "dns": {
    "dns_servers": [
      "string",
      "string"
    ],
    "manual_dns_servers": [
      "string",
      "string"
    ]
  },
  "firmware": {
    "active_image": {
      "image_version": "string"
    },
    "fallback_booted": false,
    "inactive_image": {
      "image_version": "string"
    },
    "next_boot_image": "string"
  },
  "hostname": "string",
  "link_speed": 0,
  "mac": "string",
  "network": {
    "current_method": "string",
    "default_gateway": "string",
    "ip_address": "string",
    "settings": {
      "dhcp_enabled": false,
      "persistent_default_gateway": "string",
      "persistent_ip_address": "string",
      "persistent_ip_enabled": false,
      "persistent_subnet_mask": "string"
    },
    "subnet_mask": "string"
  },
  "ntp": {
    "enabled": false,
    "manual_ntp_servers": [
      "string",
      "string"
    ]
  }
}
```

(continues on next page)

(continued from previous page)

```

    ],
    "offset": "string",
    "selected_ntp_servers": [
      "string",
      "string"
    ],
    "synchronized": false
  },
  "ptp_status": {
    "master_ip": "string",
    "offset": 0,
    "offset_dev": 0,
    "offset_mean": 0,
    "state": "string"
  },
  "ready": false,
  "serial": "string",
  "time": 0,
  "ui_lock": {
    "enabled": false
  },
  "uptime": 0
}

```

SysInfo objects are used in the following requests:

- *GET /system*

#### Template: Detection template

An object of type Template has the following properties:

- **id** (string) - Unique identifier of the template

#### Template object

```

{
  "id": "string"
}

```

Template objects are used in the following requests:

- *GET /templates/rc\_boxpick*
- *GET /templates/rc\_boxpick/{id}*
- *PUT /templates/rc\_boxpick/{id}*
- *GET /templates/rc\_cadmatch*
- *GET /templates/rc\_cadmatch/{id}*
- *PUT /templates/rc\_cadmatch/{id}*
- *GET /templates/rc\_silhouettematch*
- *GET /templates/rc\_silhouettematch/{id}*
- *PUT /templates/rc\_silhouettematch/{id}*

#### UILock: UI lock status.

An object of type UILock has the following properties:

- **enabled** (boolean)

#### Template object

```
{
  "enabled": false
}
```

UILock objects are nested in *SysInfo*, and are used in the following requests:

- *GET /system/ui\_lock*

### UserSpace: UserSpace information

An object of type UserSpace has the following properties:

- **apps** (array of *UserSpaceApp*) - UserSpace apps
- **available** (boolean) - UserSpace available
- **enabled** (boolean) - UserSpace enabled
- **proxy** (*ProxySettings*) - see description of *ProxySettings*

### Template object

```
{
  "apps": [
    {
      "containers": [
        {
          "description": "string",
          "health": "string",
          "host_ports": [
            {
              "port": 0,
              "protocol": "string"
            },
            {
              "port": 0,
              "protocol": "string"
            }
          ],
          "image": "string",
          "name": "string",
          "status": "string",
          "title": "string",
          "url": "string",
          "vendor": "string",
          "version": "string"
        },
        {
          "description": "string",
          "health": "string",
          "host_ports": [
            {
              "port": 0,
              "protocol": "string"
            },
            {
              "port": 0,
              "protocol": "string"
            }
          ],
          "image": "string",
          "name": "string",
          "status": "string",
          "title": "string",
          "url": "string",

```

(continues on next page)

(continued from previous page)

```
        "vendor": "string",
        "version": "string"
    }
],
"name": "string",
"type": "string"
},
{
    "containers": [
        {
            "description": "string",
            "health": "string",
            "host_ports": [
                {
                    "port": 0,
                    "protocol": "string"
                },
                {
                    "port": 0,
                    "protocol": "string"
                }
            ],
            "image": "string",
            "name": "string",
            "status": "string",
            "title": "string",
            "url": "string",
            "vendor": "string",
            "version": "string"
        },
        {
            "description": "string",
            "health": "string",
            "host_ports": [
                {
                    "port": 0,
                    "protocol": "string"
                },
                {
                    "port": 0,
                    "protocol": "string"
                }
            ],
            "image": "string",
            "name": "string",
            "status": "string",
            "title": "string",
            "url": "string",
            "vendor": "string",
            "version": "string"
        }
    ],
    "name": "string",
    "type": "string"
}
],
"available": false,
"enabled": false,
"proxy": {
    "http_proxy": "string",
    "https_proxy": "string"
}
```

(continues on next page)

(continued from previous page)

```
}
}
```

UserSpace objects are used in the following requests:

- *GET /userspace*

### UserSpaceApp: UserSpace app

An object of type UserSpaceApp has the following properties:

- **containers** (array of *UserSpaceContainer*) - containers in this app
- **name** (string) - name of the app
- **type** (string) - type of the app (one of container, compose)

### Template object

```
{
  "containers": [
    {
      "description": "string",
      "health": "string",
      "host_ports": [
        {
          "port": 0,
          "protocol": "string"
        },
        {
          "port": 0,
          "protocol": "string"
        }
      ],
      "image": "string",
      "name": "string",
      "status": "string",
      "title": "string",
      "url": "string",
      "vendor": "string",
      "version": "string"
    },
    {
      "description": "string",
      "health": "string",
      "host_ports": [
        {
          "port": 0,
          "protocol": "string"
        },
        {
          "port": 0,
          "protocol": "string"
        }
      ],
      "image": "string",
      "name": "string",
      "status": "string",
      "title": "string",
      "url": "string",
      "vendor": "string",
      "version": "string"
    }
  ],
}
```

(continues on next page)



(continued from previous page)

```

"\"name\": \"string\",
  \"type\": \"string\"
}

```

UserSpaceApp objects are nested in *UserSpace*.

#### UserSpaceContainer: container

An object of type UserSpaceContainer has the following properties:

- **description** (string) - value of label org.opencontainers.image.description
- **health** (string) - health of the container (if container has healthcheck) (one of starting, healthy, unhealthy)
- **host\_ports** (array of *HostPort*) - Ports exposed on host
- **image** (string) - container image tag (or id if not tagged)
- **name** (string) - name of the container
- **status** (string) - status of the container (one of restarting, running, paused, exited)
- **title** (string) - value of label org.opencontainers.image.title
- **url** (string) - value of label org.opencontainers.image.url
- **vendor** (string) - value of label org.opencontainers.image.vendor
- **version** (string) - value of label org.opencontainers.image.version

#### Template object

```

{
  \"description\": \"string\",
  \"health\": \"string\",
  \"host_ports\": [
    {
      \"port\": 0,
      \"protocol\": \"string\"
    },
    {
      \"port\": 0,
      \"protocol\": \"string\"
    }
  ],
  \"image\": \"string\",
  \"name\": \"string\",
  \"status\": \"string\",
  \"title\": \"string\",
  \"url\": \"string\",
  \"vendor\": \"string\",
  \"version\": \"string\"
}

```

UserSpaceContainer objects are nested in *UserSpaceApp*.

### 7.3.4 Swagger UI

The *rc\_visard NG*'s **Swagger UI** allows developers to easily visualize and interact with the REST-API, e.g., for development and testing. Accessing `http://<host>/api/` or `http://<host>/api/swagger` (the former will automatically be redirected to the latter) opens a visualization of the *rc\_visard NG*'s general API structure including all *available resources and requests* (Section 7.3.2) and offers a simple user interface for exploring all of its features.

**Note:** Users must be aware that, although the *rc\_visard NG*'s Swagger UI is designed to explore and test the REST-API, it is a fully functional interface. That is, any issued requests are actually processed and particularly PUT, POST, and DELETE requests might change the overall status and/or behavior of the device.

global nodes <small>Nodes that are global to all pipelines.</small>		^
GET	/nodes	∨
GET	/nodes/{node}	∨
GET	/nodes/{node}/status	∨
GET	/nodes/{node}/services	∨
GET	/nodes/{node}/services/{service}	∨
PUT	/nodes/{node}/services/{service}	∨
pipeline nodes <small>Nodes that are specific to a pipeline.</small>		^
GET	/pipelines/{pipeline}/nodes	∨
GET	/pipelines/{pipeline}/nodes/{node}	∨
GET	/pipelines/{pipeline}/nodes/{node}/status	∨
GET	/pipelines/{pipeline}/nodes/{node}/parameters	∨
PUT	/pipelines/{pipeline}/nodes/{node}/parameters	∨
GET	/pipelines/{pipeline}/nodes/{node}/parameters/{param}	∨
PUT	/pipelines/{pipeline}/nodes/{node}/parameters/{param}	∨
GET	/pipelines/{pipeline}/nodes/{node}/services	∨
GET	/pipelines/{pipeline}/nodes/{node}/services/{service}	∨
PUT	/pipelines/{pipeline}/nodes/{node}/services/{service}	∨
pipelines <small>Status of active pipelines.</small>		^
GET	/pipelines	∨
GET	/pipelines/{pipeline}	∨
templates <small>Template management for specific nodes.</small>		^
GET	/templates/rc_silhouettematch	∨
GET	/templates/rc_silhouettematch/{id}	∨
PUT	/templates/rc_silhouettematch/{id}	∨
DELETE	/templates/rc_silhouettematch/{id}	∨
cad <small>CAD file management for grippers.</small>		^
GET	/cad/gripper_elements	∨
GET	/cad/gripper_elements/{id}	∨
PUT	/cad/gripper_elements/{id}	∨
DELETE	/cad/gripper_elements/{id}	∨

Fig. 7.2: Initial view of the *rc\_visard NG*'s Swagger UI with its resources and requests

Using this interface, available resources and requests can be explored by clicking on them to uncollapse or recollapse them. The following figure shows an example of how to get a node's current status by filling in the necessary parameters (pipeline number and node name) and clicking *Execute*. This action results in the Swagger UI showing, amongst others, the actual `curl` command that was executed when issuing the request as well as the response body showing the current status of the requested node in a JSON-formatted string.

The screenshot displays the Swagger UI for the endpoint `GET /pipelines/{pipeline}/nodes/{node}/status`. The description is "Get status of a node." The parameters section includes:

- pipeline** (required, string, path): name of the pipeline, value: 0
- node** (required, string, path): name of the node, value: rc\_stereomatching

The **Execute** button is highlighted. Below, the **Responses** section shows the response content type set to `application/json`. The **Curl** command is:

```
curl -X GET "http://10.0.2.40/api/v2/pipelines/0/nodes/rc_stereomatching/status" -H "accept: application/json"
```

The **Request URL** is `http://10.0.2.40/api/v2/pipelines/0/nodes/rc_stereomatching/status`. The **Server response** shows a `200` status code. The **Response body** is a JSON object:

```
{
  "status": "running",
  "timestamp": 1642562700.7127633,
  "values": {
    "time_matching": "0.021",
    "time_postprocessing": "0.037",
    "latency": "0.065",
    "fps": "9.1",
    "width": "640",
    "height": "480",
    "mindepth": "0.4",
    "maxdepth": "100",
    "reduced_depth_range": "0"
  }
}
```

The **Response headers** include:

```
access-control-allow-headers: Origin,X-Requested-With,Content-Type,Accept,Authorization
access-control-allow-methods: GET,PUT,POST,DELETE
access-control-allow-origin: *
access-control-expose-headers: Location
cache-control: no-store
connection: keep-alive
content-length: 258
content-type: application/json
date: Wed, 19 Jan 2022 08:58:21 GMT
server: nginx/1.18.0 (Ubuntu)
```

The **Responses** table shows:

Code	Description
200	successful operation
404	node not found

An **Example Value** for the `application/json` response is provided:

```
{
  "status": "running",
  "timestamp": 1503075030.2335997,
  "values": {
    "exp": "0.00426667",
    "color": "0",
    "baseline": "0.0650542",
    "height": "960",
    "width": "1280",
    "gain": "12.0412",
    "fps": "23.1352",
    "time": "0.00406513",
    "temp_left": "39.6",
    "focal": "0.844993",
    "temp_right": "38.2"
  }
}
```

Fig. 7.3: Result of requesting the `rc_stereomatching` node's status

Some actions, such as setting parameters or calling services, require more complex parameters to an HTTP request. The Swagger UI allows developers to explore the attributes required for these actions during run-time, as shown in the next example. In the figure below, the attributes required for the the `rc_hand_eye_calibration` node's `set_pose` service are explored by performing a GET request on this resource. The response features a full description of the service offered, including all required arguments with their names and types as a JSON-formatted string.

The screenshot displays the Swagger UI interface for a REST API endpoint. At the top, the method is 'GET' and the path is `/pipelines/{pipeline}/nodes/{node}/services/{service}`. Below this, a description reads 'Get description of a node's specific service.' The 'Parameters' section contains three required parameters: 'pipeline' (string, path), 'node' (string, path), and 'service' (string, path). Each parameter has a corresponding input field. Below the parameters are 'Execute' and 'Clear' buttons. The 'Responses' section shows the response content type set to 'application/json'. Underneath, the 'Curl' command is displayed: `curl -X GET "http://192.168.178.42/api/v2/pipelines/0/nodes/rc_hand_eye_calibration/services/set_pose" -H "accept: application/json"`. The 'Request URL' is `http://192.168.178.42/api/v2/pipelines/0/nodes/rc_hand_eye_calibration/services/set_pose`. The 'Server response' section shows a 200 status code and a detailed JSON response body and headers. The response body is a JSON object with fields for 'response', 'args', 'pose', and 'orientation'. The response headers include 'access-control-allow-headers', 'access-control-allow-methods', 'access-control-allow-origin', 'access-control-expose-headers', 'cache-control', 'connection', 'content-length', 'content-type', 'date', and 'server'.

Fig. 7.4: The result of the GET request on the `set_pose` service shows the required arguments for this service call.

Users can easily use this preformatted JSON string as a template for the service arguments to actually call the service:

PUT /pipelines/{pipeline}/nodes/{node}/services/{service}

Call a service of a node. The required args and resulting response depend on the specific node and service.

Parameters Cancel

Name	Description
pipeline * required string (path)	name of the pipeline 0
node * required string (path)	name of the node rc_hand_eye_calibration
service * required string (path)	name of the service set_pose
service args * required (body)	example args Edit Value   Model <pre>{   "args": {     "slot": 0,     "pose": {       "position": {         "x": 1.02,         "y": -0.35,         "z": 0.201       },       "orientation": {         "y": 0.0,         "x": "float64",         "z": "float64",         "w": "float64"       }     }   } }</pre>

Parameter content type  
application/json

Execute

Fig. 7.5: Filling in the arguments of the set\_pose service request

## 7.4 KUKA Ethernet KRL Interface

The *rc\_visard NG* provides an Ethernet KRL Interface (EKI Bridge), which allows communicating with the *rc\_visard NG* from KUKA KRL via KUKA.EthernetKRL XML.

**Note:** The component is optional and requires a separate Roboception's EKIBridge *license* (Section 9.7) to be purchased.

**Note:** The KUKA.EthernetKRL add-on software package version 2.2 or newer must be activated on the robot controller to use this component.

The EKI Bridge can be used to programmatically

- do service calls, e.g. to start and stop individual computational nodes, or to use offered services such as the hand-eye calibration or the computation of grasp poses;
- set and get run-time parameters of computation nodes, e.g. of the camera, or disparity calculation.

**Note:** A known limitation of the EKI Bridge is that strings representing valid numbers will be converted to int/float. Hence user-defined names (like ROI IDs, etc.) should always contain at least one letter so they can be used in service call arguments.

### 7.4.1 Ethernet connection configuration

The EKI Bridge listens on port 7000 for EKI XML messages and transparently bridges the *rc\_visard NG*'s *REST-API v2* (Section 7.3). The received EKI messages are transformed to JSON and forwarded

to the *rc\_visard NG*'s REST-API. The response from the REST-API is transformed back to EKI XML.

The EKI Bridge gives access to run-time parameters and offered services of all computational nodes described in *Software modules* (Section 6).

The Ethernet connection to the *rc\_visard NG* on the robot controller is configured using XML configuration files.

The EKI XML configuration files of all nodes running on the *rc\_visard NG* are available for download at:

<https://doc.rc-visard.com/latest/en/eki.html#eki-xml-configuration-files>

Each node offering run-time parameters has an XML configuration file for setting and getting its parameters. These are named following the scheme `<node_name>-parameters.xml`. Each node's service has its own XML configuration file. These are named following the scheme `<node_name>-<service_name>.xml`.

The IP of the *rc\_visard NG* in the network needs to be filled in the XML file.

These files must be stored in the directory `C:\KRC\ROBOTER\Config\User\Common\EthernetKRL` of the robot controller and they are read in when a connection is initialized.

As an example, an Ethernet connection to configure the `rc_stereomatching` parameters is established with the following KRL code.

```
DECL EKI_Status RET
RET = EKI_INIT("rc_stereomatching-parameters")
RET = EKI_Open("rc_stereomatching-parameters")

; ----- Desired operation -----

RET = EKI_Close("rc_stereomatching-parameters")
```

**Note:** The EKI Bridge automatically terminates the connection to the client if the received XML telegram is invalid.

## 7.4.2 Generic XML structure

For data transmission, the EKI Bridge uses `<req>` as root XML element (short for request).

The root tag always includes the following elements.

- `<node>`. This includes a child XML element used by the EKI Bridge to identify the target node. The node name is already included in the XML configuration file.
- `<end_of_request>`. End of request flag that triggers the request.

The following listing shows the generic XML structure for data transmission.

```
<SEND>
  <XML>
    <ELEMENT Tag="req/node/<node_name>" Type="STRING"/>
    <ELEMENT Tag="req/end_of_request" Type="BOOL"/>
  </XML>
</SEND>
```

For data reception, the EKI Bridge uses `<res>` as root XML element (short for response). The root tag always includes a `<return_code>` child element.

```
<RECEIVE>
  <XML>
    <ELEMENT Tag="res/return_code/@value" Type="INT"/>
    <ELEMENT Tag="res/return_code/@message" Type="STRING"/>
```

(continues on next page)

(continued from previous page)

```

<ELEMENT Tag="res" Set_Flag="998"/>
</XML>
</RECEIVE>

```

**Note:** By default the XML configuration files uses 998 as flag to notify KRL that the response data record has been received. If this value is already in use, it should be changed in the corresponding XML configuration file.

### 7.4.2.1 Return code

The `<return_code>` element consists of a value and a message attribute.

As for all other components, a successful request returns with a `res/return_code/@value` of 0. Negative values indicate that the request failed. The error message is contained in `res/return_code/@message`. Positive values indicate that the request succeeded with additional information, contained in `res/return_code/@message` as well.

The following codes can be issued by the EKI Bridge component.

Table 7.2: Return codes of the EKI Bridge component

Code	Description
0	Success
-1	Parsing error in the conversion from XML to JSON
-2	Internal error
-5	Connection error from the REST-API
-9	Missing or invalid license for EKI Bridge component

**Note:** The EKI Bridge can also return return code values specific to individual nodes. They are documented in the respective *software module* (Section 6).

**Note:** Due to limitations in KRL, the maximum length of a string returned by the EKI Bridge is 512 characters. All messages larger than this value are truncated.

### 7.4.3 Services

For the nodes' services, the XML schema is generated from the service's arguments and response in JavaScript Object Notation (JSON) described in *Software modules* (Section 6). The conversion is done transparently, except for the conversion rules described below.

Conversions of poses:

A pose is a JSON object that includes position and orientation keys.

```

{
  "pose": {
    "position": {
      "x": "float64",
      "y": "float64",
      "z": "float64",
    },
    "orientation": {
      "x": "float64",
      "y": "float64",
      "z": "float64",
    }
  }
}

```

(continues on next page)

(continued from previous page)

```

    "w": "float64",
  }
}
}

```

This JSON object is converted to a KRL FRAME in the XML message.

```
<pose X="..." Y="..." Z="..." A="..." B="..." C="..."></pose>
```

Positions are converted from meters to millimeters and orientations are converted from quaternions to KUKA ABC (in degrees).

**Note:** No other unit conversions are included in the EKI Bridge. All dimensions and 3D coordinates that don't belong to a pose are expected and returned in meters.

Arrays:

Arrays are identified by adding the child element `<le>` (short for list element) to the list name. As an example, the JSON object

```

{
  "rectangles": [
    {
      "x": "float64",
      "y": "float64"
    }
  ]
}

```

is converted to the XML fragment

```
<rectangles>
  <le>
    <x>...</x>
    <y>...</y>
  </le>
</rectangles>
```

Use of XML attributes:

All JSON keys whose values are a primitive data type and don't belong to an array are stored in attributes. As an example, the JSON object

```

{
  "item": {
    "uuid": "string",
    "confidence": "float64",
    "rectangle": {
      "x": "float64",
      "y": "float64"
    }
  }
}

```

is converted to the XML fragment

```
<item uuid="..." confidence="...">
  <rectangle x="..." y="...">
  </rectangle>
</item>
```



### 7.4.3.1 Request XML structure

The <SEND> element in the XML configuration file for a generic service follows the specification below.

```
<SEND>
  <XML>
    <ELEMENT Tag="req/node/<node_name>" Type="STRING"/>
    <ELEMENT Tag="req/service/<service_name>" Type="STRING"/>
    <ELEMENT Tag="req/args/<argX>" Type="<argX_type>"/>
    <ELEMENT Tag="req/end_of_request" Type="BOOL"/>
  </XML>
</SEND>
```

The <service> element includes a child XML element that is used by the EKI Bridge to identify the target service from the XML telegram. The service name is already included in the configuration file.

The <args> element includes the service arguments and should be configured with EKI\_Set<Type> KRL instructions.

As an example, the <SEND> element of the rc\_load\_carrier\_db's get\_load\_carriers service (see [LoadCarrierDB](#), Section 6.4.1) is:

```
<SEND>
  <XML>
    <ELEMENT Tag="req/node/rc_load_carrier_db" Type="STRING"/>
    <ELEMENT Tag="req/service/get_load_carriers" Type="STRING"/>
    <ELEMENT Tag="req/args/load_carrier_ids/le" Type="STRING"/>
    <ELEMENT Tag="req/end_of_request" Type="BOOL"/>
  </XML>
</SEND>
```

The <end\_of\_request> element allows to have arrays in the request. For configuring an array, the request is split into as many packages as the size of the array. The last telegram contains all tags, including the <end\_of\_request> flag, while all other telegrams contain one array element each.

As an example, for requesting two load carrier models to the rc\_load\_carrier\_db's get\_load\_carriers service, the user needs to send two XML messages. The first XML telegram is:

```
<req>
  <args>
    <load_carrier_ids>
      <le>load_carrier1</le>
    </load_carrier_ids>
  </args>
</req>
```

This telegram can be sent from KRL with the EKI\_Send command, by specifying the list element as path:

```
DECL EKI_STATUS RET
RET = EKI_SetString("rc_load_carrier_db-get_load_carriers", "req/args/load_carrier_ids/
↪le", "load_carrier1")
RET = EKI_Send("rc_load_carrier_db-get_load_carriers", "req/args/load_carrier_ids/le")
```

The second telegram includes all tags and triggers the request to the rc\_load\_carrier\_db node:

```
<req>
  <node>
    <rc_load_carrier_db></rc_load_carrier_db>
  </node>
  <service>
    <get_load_carriers></get_load_carriers>
  </service>
  <args>
```

(continues on next page)

(continued from previous page)

```

<load_carrier_ids>
  <le>load_carrier2</le>
</load_carrier_ids>
</args>
<end_of_request></end_of_request>
</req>

```

This telegram can be sent from KRL by specifying req as path for EKI\_Send:

```

DECL EKI_STATUS RET
RET = EKI_SetString("rc_load_carrier_db-get_load_carriers", "req/args/load_carrier_ids/
↪le", "load_carrier2")
RET = EKI_Send("rc_load_carrier_db-get_load_carriers", "req")

```

### 7.4.3.2 Response XML structure

The <RECEIVE> element in the XML configuration file for a generic service follows the specification below:

```

<RECEIVE>
  <XML>
    <ELEMENT Tag="res/<resX>" Type="<resX_type>" />
    <ELEMENT Tag="res/return_code/@value" Type="INT" />
    <ELEMENT Tag="res/return_code/@message" Type="STRING" />
    <ELEMENT Tag="res" Set_Flag="998" />
  </XML>
</RECEIVE>

```

As an example, the <RECEIVE> element of the rc\_april\_tag\_detect's detect service (see [TagDetect](#), Section 6.2.3) is:

```

<RECEIVE>
  <XML>
    <ELEMENT Tag="res/timestamp/@sec" Type="INT" />
    <ELEMENT Tag="res/timestamp/@nsec" Type="INT" />
    <ELEMENT Tag="res/return_code/@message" Type="STRING" />
    <ELEMENT Tag="res/return_code/@value" Type="INT" />
    <ELEMENT Tag="res/tags/le/pose_frame" Type="STRING" />
    <ELEMENT Tag="res/tags/le/timestamp/@sec" Type="INT" />
    <ELEMENT Tag="res/tags/le/timestamp/@nsec" Type="INT" />
    <ELEMENT Tag="res/tags/le/pose/@X" Type="REAL" />
    <ELEMENT Tag="res/tags/le/pose/@Y" Type="REAL" />
    <ELEMENT Tag="res/tags/le/pose/@Z" Type="REAL" />
    <ELEMENT Tag="res/tags/le/pose/@A" Type="REAL" />
    <ELEMENT Tag="res/tags/le/pose/@B" Type="REAL" />
    <ELEMENT Tag="res/tags/le/pose/@C" Type="REAL" />
    <ELEMENT Tag="res/tags/le/instance_id" Type="STRING" />
    <ELEMENT Tag="res/tags/le/id" Type="STRING" />
    <ELEMENT Tag="res/tags/le/size" Type="REAL" />
    <ELEMENT Tag="res" Set_Flag="998" />
  </XML>
</RECEIVE>

```

For arrays, the response includes multiple instances of the same XML element. Each element is written into a separate buffer within EKI and can be read from the buffer with KRL instructions. The number of instances can be requested with EKI\_CheckBuffer and each instance can then be read by calling EKI\_Get<Type>.

As an example, the tag poses received after a call to the rc\_april\_tag\_detect's detect service can be read in KRL using the following code:

```

DECL EKI_STATUS RET
DECL INT i
DECL INT num_instances
DECL FRAME poses[32]

DECL FRAME pose = {X 0.0, Y 0.0, Z 0.0, A 0.0, B 0.0, C 0.0}

RET = EKI_CheckBuffer("rc_april_tag_detect-detect", "res/tags/le/pose")
num_instances = RET.Buff
for i=1 to num_instances
  RET = EKI_GetFrame("rc_april_tag_detect-detect", "res/tags/le/pose", pose)
  poses[i] = pose
endfor
RET = EKI_ClearBuffer("rc_april_tag_detect-detect", "res")

```

**Note:** Before each request from EKI to the *rc\_visard NG*, all buffers should be cleared in order to store only the current response in the EKI buffers.

### 7.4.4 Parameters

All nodes' parameters can be set and queried from the EKI Bridge. The XML configuration file for a generic node follows the specification below:

```

<SEND>
  <XML>
    <ELEMENT Tag="req/node/<node_name>" Type="STRING"/>
    <ELEMENT Tag="req/parameters/<parameter_x>/@value" Type="INT"/>
    <ELEMENT Tag="req/parameters/<parameter_y>/@value" Type="STRING"/>
    <ELEMENT Tag="req/end_of_request" Type="BOOL"/>
  </XML>
</SEND>
<RECEIVE>
  <XML>
    <ELEMENT Tag="res/parameters/<parameter_x>/@value" Type="INT"/>
    <ELEMENT Tag="res/parameters/<parameter_x>/@default" Type="INT"/>
    <ELEMENT Tag="res/parameters/<parameter_x>/@min" Type="INT"/>
    <ELEMENT Tag="res/parameters/<parameter_x>/@max" Type="INT"/>
    <ELEMENT Tag="res/parameters/<parameter_y>/@value" Type="REAL"/>
    <ELEMENT Tag="res/parameters/<parameter_y>/@default" Type="REAL"/>
    <ELEMENT Tag="res/parameters/<parameter_y>/@min" Type="REAL"/>
    <ELEMENT Tag="res/parameters/<parameter_y>/@max" Type="REAL"/>
    <ELEMENT Tag="res/return_code/@value" Type="INT"/>
    <ELEMENT Tag="res/return_code/@message" Type="STRING"/>
    <ELEMENT Tag="res" Set_Flag="998"/>
  </XML>
</RECEIVE>

```

The request is interpreted as a *get* request if all parameter's value attributes are empty. If any value attribute is non-empty, it is interpreted as *set* request of the non-empty parameters.

As an example, the current value of all parameters of *rc\_stereomatching* can be queried using the XML telegram:

```

<req>
  <node>
    <rc_stereomatching></rc_stereomatching>
  </node>
  <parameters></parameters>
  <end_of_request></end_of_request>
</req>

```

This XML telegram can be sent out with Ethernet KRL using:

```
DECL EKI_STATUS RET
RET = EKI_Send("rc_stereomatching-parameters", "req")
```

The response from the EKI Bridge contains all parameters:

```
<res>
  <parameters>
    <acquisition_mode default="Continuous" max="" min="" value="Continuous"/>
    <quality default="High" max="" min="" value="High"/>
    <static_scene default="0" max="1" min="0" value="0"/>
    <seg default="200" max="4000" min="0" value="200"/>
    <smooth default="1" max="1" min="0" value="1"/>
    <fill default="3" max="4" min="0" value="3"/>
    <minconf default="0.5" max="1.0" min="0.5" value="0.5"/>
    <mindepth default="0.1" max="100.0" min="0.1" value="0.1"/>
    <maxdepth default="100.0" max="100.0" min="0.1" value="100.0"/>
    <maxdeptherr default="100.0" max="100.0" min="0.01" value="100.0"/>
  </parameters>
  <return_code message="" value="0"/>
</res>
```

The quality parameter of rc\_stereomatching can be set to Low by the XML telegram:

```
<req>
  <node>
    <rc_stereomatching></rc_stereomatching>
  </node>
  <parameters>
    <quality value="Low"></quality>
  </parameters>
  <end_of_request></end_of_request>
</req>
```

This XML telegram can be sent out with Ethernet KRL using:

```
DECL EKI_STATUS RET
RET = EKI_SetString("rc_stereomatching-parameters", "req/parameters/quality/@value",
↪ "Low")
RET = EKI_Send("rc_stereomatching-parameters", "req")
```

In this case, only the applied value of quality is returned by the EKI Bridge:

```
<res>
  <parameters>
    <quality default="High" max="" min="" value="Low"/>
  </parameters>
  <return_code message="" value="0"/>
</res>
```

## 7.4.5 Example applications

More detailed robot application examples can be found at [https://github.com/roboception/eki\\_examples](https://github.com/roboception/eki_examples).

## 7.4.6 Troubleshooting

### SmartPad error message: Limit of element memory reached

This error may occur if the number of matches exceeds the memory limit.

- Increase BUFFERING and set BUFFSIZE in EKI config files. Adapt these settings to your particular KRC.
- Decrease the 'Maximum Matches' parameter in the detection module
- Even if the total memory limit (BUFFSIZE) of a message is not reached, the KRC might not be able to parse the number of child elements in the XML tree if the BUFFERING limit is too small. For example, if your application proposes 50 different grasps, the BUFFERING limit needs to be 50 too.

## 7.5 gRPC image stream interface

The gRPC image streaming interface can be used as an alternative to the *GigE Vision / GenICam interface* (Section 7.2) for getting camera images and synchronized sets of images (e.g. left camera image and corresponding disparity image). gRPC is a remote procedure call system that also supports streaming. It uses *Protocol Buffers* (see <https://developers.google.com/protocol-buffers/>) as interface description language and data serialization. For a gRPC introduction and more details please see the official website (<https://grpc.io/>).

The advantages of the gRPC interface in comparison to GigE Vision are:

- It is simpler to use in own programs than GigE Vision.
- There is gRPC support for a lot of programming languages (see <https://grpc.io/>).
- The communication is based on TCP instead of UDP and therefore it also works over less stable networks, e.g. WLAN.

The disadvantages of the gRPC interface in comparison to GigE Vision are:

- It does not support changing parameters, but the *REST-API interface* (Section 7.3) can be used for changing parameters.
- It is not a standard vision interface like GigE Vision.

The *rc\_visard NG* provides synchronized image sets via gRPC server side streams on port 50051.

The communication is started by sending an *ImageSetRequest* message to the server. The message contains the information about requested images, i.e. left, right, disparity, confidence and disparity\_error images can be enabled separately.

After getting the request, the server starts continuously sending *ImageSet* messages that contain all requested images with all parameters necessary for interpreting the images. The images that are contained in an *ImageSet* message are synchronized, i.e. they are all captured at the same time. The only exception to this rule is if the *out1\_mode* (Section 6.3.4.1) is set to *AlternateExposureActive*. In this case, the camera and disparity images are taken 40 ms apart, so that the GPIO Out1 is LOW when the left and right images are taken, and HIGH for the disparity, confidence and error images. This mode is useful when a random dot projector is used, because the projector would be off for capturing the left and right image, and on for the disparity image, which results in undisturbed camera images and a much denser and more accurate disparity image.

Streaming of images is done until the client closes the connection.

### 7.5.1 gRPC service definition

```

syntax = "proto3";

message Time
{
  int32 sec = 1; ///< Seconds
  int32 nsec = 2; ///< Nanoseconds
}

```

(continues on next page)

(continued from previous page)

```

}

message Gpios
{
    uint32 inputs = 1; ///< bitmask of available inputs
    uint32 outputs = 2; ///< bitmask of available outputs
    uint32 values = 3; ///< bitmask of GPIO values
}

message Image
{
    Time timestamp = 1; ///< Acquisition timestamp of the image
    uint32 height = 2; ///< image height (number of rows)
    uint32 width = 3; ///< image width (number of columns)
    float focal_length = 4; ///< focal length in pixels
    float principal_point_u = 5; ///< horizontal position of the principal point
    float principal_point_v = 6; ///< vertical position of the principal point
    string encoding = 7; ///< Encoding of pixels ["mono8", "mono16", "rgb8"]
    bool is_bigendian = 8; ///< is data bigendian, (in our case false)
    uint32 step = 9; ///< full row length in bytes
    bytes data = 10; ///< actual matrix data, size is (step * height)
    Gpios gpios = 11; ///< GPIOs as of acquisition timestamp
    float exposure_time = 12; ///< exposure time in seconds
    float gain = 13; ///< gain factor in decibel
    float noise = 14; ///< noise
    float outl_reduction = 16; ///< Fraction of reduction (0.0 - 1.0) of exposure time for
    ↪ images with GPIO Out1=Low in exp_auto_mode=AdaptiveOut1
    float brightness = 17; ///< Current brightness of the image as value between 0 and 1
}

message DisparityImage
{
    Time timestamp = 1; ///< Acquisition timestamp of the image
    float scale = 2; ///< scale factor
    float offset = 3; ///< offset in pixels (in our case 0)
    float invalid_data_value = 4; ///< value used to mark pixels as invalid (in our case 0)
    float baseline = 5; ///< baseline in meters
    float delta_d = 6; ///< Smallest allowed disparity increment. The smallest
    ↪ achievable depth range resolution is  $\Delta Z = (Z^2 / \text{image.focal\_length} * \text{baseline}) * \Delta d$ .
    Image image = 7; ///< disparity image
}

message Mesh
{
    Time timestamp = 1; ///< Acquisition timestamp of disparity image from which the mesh
    ↪ is computed
    string format = 2; ///< currently only "ply" is supported
    bytes data = 3; ///< actual mesh data
}

message ImageSet
{
    Time timestamp = 1;
    Image left = 2;
    Image right = 3;
    DisparityImage disparity = 4;
    Image disparity_error = 5;
    Image confidence = 6;
    Mesh mesh = 7;
}

```

(continues on next page)

(continued from previous page)

```

message MeshOptions
{
  uint32 max_points = 1; ///< limit maximum number of points, zero means default (up_
↳to 3.1MP), minimum is 1000
  enum BinningMethod {
    AVERAGE = 0;           ///< average over all points in bin
    MIN_DEPTH = 1;        ///< use point with minimum depth (i.e. closest to camera) in_
↳bin
  }
  BinningMethod binning_method = 2; ///< method used for binning if limited by max_points
  bool watertight = 3; ///< connect all edges and fill all holes, e.g. for collision_
↳checking
  bool textured = 4; ///< add texture information to mesh
}

message ImageSetRequest
{
  bool left_enabled = 1;
  bool right_enabled = 2;
  bool disparity_enabled = 3;
  bool disparity_error_enabled = 4;
  bool confidence_enabled = 5;
  bool mesh_enabled = 6;
  MeshOptions mesh_options = 7;
  bool color = 8; ///< send left/right image as color (rgb8) images
}

service ImageInterface
{
  // A server-to-client streaming RPC.
  rpc StreamImageSets(ImageSetRequest) returns (stream ImageSet) {}
}

```

## 7.5.2 Image stream conversions

The conversion of disparity images into a point cloud can be done as described in the *GigE Vision / GenICam interface* (Section 7.2.7).

## 7.5.3 Example client

A simple example C++ client can be found at [https://github.com/roboception/grpc\\_image\\_client\\_example](https://github.com/roboception/grpc_image_client_example).

## 7.6 OPC UA interface

The *rc\_visard NG* also offers an optional OPC UA interface running on TCP port 4840. The OPC UA server can be activated via a separate *license* (Section 9.7).

The OPC UA server provides access to parameters and services of all available software modules analogous to the REST-API. To browse the OPC UA Address Space use e.g. the freely available UAExpert GUI client.

The OPC UA server uses the `DataTypeDefinition` attribute (available in OPC UA version 1.04) for custom datatypes and also uses methods and variable length arrays. Please check if your OPC UA client supports this.

Please contact [support@roboception.de](mailto:support@roboception.de) if you are interested in using the OPC UA server.

## 7.7 Time synchronization

The *rc\_visard NG* provides timestamps with all images and messages. To compare these with the time on the application host, the time needs to be properly synchronized.

This can be done either via the Network Time Protocol (NTP), which is the default, or the Precision Time Protocol (PTP).

The current system time as well as time synchronization status can be queried via *REST-API* (Section 7.3) and seen on the *Web GUI's* (Section 7.1) *System* page.

**Note:** Depending on the reachability of NTP servers or PTP masters it might take up to several minutes until the time is synchronized.

### 7.7.1 NTP

The Network Time Protocol (NTP) is a TCP/IP protocol for synchronizing time over a network. A client periodically requests the current time from a server, and uses it to set and correct its own clock.

By default the *rc\_visard NG* tries to reach NTP servers from the NTP Pool Project, which will work if the *rc\_visard NG* has access to the internet.

If the *rc\_visard NG* is configured for *DHCP* (Section 4.4.2) (which is the default setting), it will also request NTP servers from the DHCP server and try to use those.

Additionally, the user can specify up to three NTP servers manually using the REST-API's `/system/ntp` endpoint. A more convenient way is setting the NTP servers on the *Web GUI's* (Section 7.1) *System Time* page.

### 7.7.2 PTP

The Precision Time Protocol (PTP, also known as IEEE1588) is a protocol which offers more precise and robust clock synchronization than with NTP.

The *rc\_visard* can be configured to act as a PTP slave via the standard *GigE Vision 2.0/GenICam interface* (Section 7.2) using the `GevIEEE1588` parameter.

At least one PTP master providing time has to be running in the network. On Linux the respective command for starting a PTP master on ethernet port `eth0` is, e.g., `sudo ptpd --masteronly --foreground -i eth0`.

While the *rc\_visard* is synchronized with a PTP master (*rc\_visard* in PTP status SLAVE), the NTP synchronization is paused.

### 7.7.3 Setting time manually

The *rc\_visard NG* allows to set the current date and time manually using the REST-API's `/system/time` endpoint, if no time synchronization is active (see *System and logs*, Section 7.3.2.3). A more convenient way is setting the system time on the *Web GUI's* (Section 7.1) *System Time* page.



## 8 UserSpace

The UserSpace enables users to deploy and manage containers running on the *rc\_visard NG*. Standalone containers and docker-compose stacks are supported.

**Note:** Familiarity with Docker containers is required.

If available and enabled, the UserSpace can be accessed in the *Web GUI* (Section 7.1) in the menu under *UserSpace*. This page shows the running apps and containers with their current state and health, in case a health-check is available. Each container lists the published ports. If their protocol is http or https, these containers can be accessed directly in the Web GUI.

### 8.1 Configuration

If the UserSpace is enabled for the first time, a user for the portainer UI needs to be created: In the *Web GUI* (Section 7.1) navigate to *UserSpace* and click on *Manage UserSpace Apps*. Then, register a user account for the administrator. It is required to complete this step within five minutes after booting the *rc\_visard NG*.

**Note:** The UserSpace is not enabled by default and can for security reasons only be enabled/disabled or reset via the Web GUI by placing the Roboception UserSpace Key QR code in front of the camera, for security reasons.

#### 8.1.1 Configure UserSpace via the Web GUI

To configure the UserSpace via the *Web GUI* (Section 7.1), navigate to *UserSpace* and click on *Configure UserSpace*.

Print the Roboception UserSpace Key from here or <https://roboception.com/roboception-userspace-key/> and place it in front of the camera so that it is completely visible in both, left and right camera images.

Use the buttons to enable/disable or reset the UserSpace. Resetting will delete all containers, volumes, and the portainer configuration, including secrets and users, and cannot be undone.

### 8.2 Configure HTTP proxy

If your organization uses a proxy server to connect to the internet, you need to configure this proxy server for Docker and portainer in order to pull container images stored in container registries like Docker Hub and pull git repositories in portainer. These proxy settings apply only to Docker and portainer itself, not to the apps running in containers.

Usually this also means that you need to trust the CA certificate of the proxy server in order to use HTTPS connections.

Both can be configured via *Web GUI* (Section 7.1) under *UserSpace* and then *Configure UserSpace*.

## 8.3 View running applications

UserSpace information including running apps and their published ports can be queried via *REST-API userspace endpoint*, (Section 7.3.2.2) or viewed in the *Web GUI* (Section 7.1) in the menu under *UserSpace*.

Container labels `org.opencontainers.image.XXX` can be used to provide additional information to the API which is also shown in the Web GUI, see *REST-API UserSpaceContainer definition*, (Section 7.3.3).

## 8.4 Network access to UserSpace applications

To access containers via network, the container ports need to be published to host ports.

If a container provides a web interface via http or https, use container labels to show a button in the Web GUI to open that directly:

- `com.roboception.app.http`: all exposed TCP ports use http
- `com.roboception.app.https.port=1234,5678`: comma separated list with https ports

## 8.5 Interfaces

Docker containers managed in the UserSpace can use the public interfaces of the *rc\_visard NG*. In particular, Docker containers can access synchronized image sets via *gRPC* (Section 7.5) and can call the *REST-API interface* (Section 7.3). The *rc\_visard NG* (the host) can be accessed under the Docker bridge IP (in default Docker bridge network `172.17.0.1`).

## 8.6 Restrictions

Some restrictions for containers apply:

- Containers cannot be privileged.
- No access to the host network (a Docker bridge network is used instead).
- Only paths inside cloned git repositories with a docker-compose stack can be mounted, all other host paths cannot be mounted.
- Host devices cannot be accessed. This includes e.g. USB and GPU devices.
- Well known and internally used ports on the host cannot be bound. This includes ports below 1024, ports from 4200 to 4299 and the ports 2342, 2343, 2344, 2345, 3956, 4840, 5353, 6379, 7000, 7001, 7002, 7003, 9100, 9118, 9256, 9445, 9446, 11311, 22350, 22352, 50010, 50051, 50052, 50053 and 50054.

## 9 Maintenance

**Warning:** The customer does not need to open the *rc\_visard NG*'s housing to perform maintenance. Unauthorized opening will void the warranty.

### 9.1 Lens cleaning

Glass lenses with antireflective coating are used to reduce glare. Please take special care when cleaning the lenses. To clean them, use a soft lens-cleaning brush to remove dust or dirt particles. Then use a clean microfiber cloth that is designed to clean lenses, and gently wipe the lens using a circular motion to avoid scratches that may compromise the sensor's performance. For stubborn dirt, high purity isopropanol or a lens cleaning solution formulated for coated lenses (such as the Uvex Clear family of products) may be used.

### 9.2 Camera calibration

The cameras are calibrated during production. Under normal operating conditions, the calibration will be valid for the life time of the sensor. High impact, such as occurring when dropping the *rc\_visard NG*, can change the camera's parameters slightly. In this case, calibration can be verified and recalibration undertaken via the Web GUI (see *Camera calibration*, Section 6.3.3).

### 9.3 Creating and restoring backups of settings

The *rc\_visard NG* offers the possibility to download the current settings as backup or for transferring them to a different *rc\_visard* or *rc\_cube*.

The current settings of the *rc\_visard NG* can be downloaded on the *Web GUI*'s (Section 7.1) *System* page in the *rc\_visard NG Settings* section. They can also be downloaded via the *rc\_visard NG*'s *REST-API interface* (Section 7.3) using the *GET /system/backup* request.

For downloading a backup, the user can choose which settings to include:

- nodes: the settings of all modules (parameters, preferred orientations and sorting strategies)
- load\_carriers: the configured load carriers
- regions\_of\_interest: the configured 2D and 3D regions of interest
- grippers: the configured grippers (without the CAD elements)

The returned backup should be stored as a .json file.

The templates of the SilhouetteMatch and CADMatch modules are not included in the backup but can be downloaded manually using the REST-API or the Web GUI (see *Template API*, Section 6.2.6.14 and *Template API*, Section 6.2.7.13).

A backup can be restored to the *rc\_visard NG* on the *Web GUI*'s (Section 7.1) *System* page in the *rc\_visard NG Settings* section by uploading the backup .json file. In the *Web GUI* the settings included in the backup are shown and can be chosen for restore. The corresponding *REST-API interface* (Section 7.3) call is `POST /system/backup`.

**Warning:** When restoring load carriers, all existing load carriers on the *rc\_visard NG* will get lost and will be replaced by the content of the backup. The same applies to restoring grippers and regions of interest.

When restoring a backup, only the settings which are applicable to the *rc\_visard NG* are restored. Parameters for modules that do not exist on the device or do not have a valid license will be skipped. If a backup can only be restored partially, the user will be notified by warnings.

## 9.4 Updating the firmware

Information about the current firmware image version can be found on the *Web GUI*'s (Section 7.1) *System* → *Firmware & License* page. It can also be accessed via the *rc\_visard NG*'s *REST-API interface* (Section 7.3) using the `GET /system` request. Users can use either the *Web GUI* or the *REST-API* to update the firmware.

**Warning:** When upgrading from a version prior to 21.07, all of the software modules' configured parameters will be reset to their defaults after a firmware update. Only when upgrading from version 21.07 or higher, the last saved parameters will be preserved. Please make sure these settings are persisted on the application-side or client PC (e.g., using the *REST-API interface*, Section 7.3) to request all parameters and store them prior to executing the update.

The following settings are excluded from this and will be persisted across a firmware update:

- the *rc\_visard NG*'s network configuration including an optional static IP address and the user-specified device name,
- the latest result of the *Hand-eye calibration* (Section 6.3.1), i.e., recalibrating the *rc\_visard NG* w.r.t. a robot is not required, unless camera mounting has changed, and
- the latest result of the *Camera calibration* (Section 6.3.3), i.e., recalibration of the *rc\_visard*'s stereo cameras is not required.

**Step 1: Download the newest firmware version.** Firmware updates will be supplied from of a Mender artifact file identified by its .mender suffix.

If a new firmware update is available for your *rc\_visard NG* device, the respective file can be downloaded to a local computer from <https://www.roboception.com/download>.

**Warning:** Make sure the firmware version to upload is still within the software maintenance period of your *rc\_visard NG*. You can see the firmware version constraints on the *rc\_visard NG*'s *Web GUI* on the *System* → *Firmware & License* page. If the latest firmware version exceeds the software maintenance period, a new license must be purchased to use a newer firmware.

**Step 2: Upload the update file.** To update with the *rc\_visard NG*'s *REST-API*, users may refer to the `POST /system/update` request.

To update the firmware via the *Web GUI*, locate the *System* → *Firmware & License* page and press the "Upload *rc\_visard NG* Update" button. Select the desired update image file (file extension .mender) from the local file system and open it to start the update.

Depending on the network architecture and configuration, the upload may take several minutes. During the update via the Web GUI, a progress bar indicates the progress of the upload.

**Note:** Depending on the web browser, the update progress status shown in the progress bar may indicate the completion of the update too early. Please wait until a notification window opens, which indicates the end of the update process. Expect an overall update time of at least five minutes.

**Warning:** Do not close the web browser tab which contains the Web GUI or press the renew button on this tab, because it will abort the update procedure. In that case, repeat the update procedure from the beginning.

**Step 3: Reboot the *rc\_visard NG*.** To apply a firmware update to the *rc\_visard NG* device, a reboot is required after having uploaded the new image version.

**Note:** The new image version is uploaded to the inactive partition of the *rc\_visard NG*. Only after rebooting will the inactive partition be activated, and the active partition will become inactive. If the updated firmware image cannot be loaded, this partition of the *rc\_visard NG* remains inactive and the previously installed firmware version from the active partition will be used automatically.

As for the REST-API, the reboot can be performed by the `PUT /system/reboot` request.

After having uploaded the new firmware via the Web GUI, a notification window is opened, which offers to reboot the device immediately or to postpone the reboot. To reboot the *rc\_visard NG* at a later time, use the *Reboot* button on the Web GUI's *System* page.

**Step 4: Confirm the firmware update.** After rebooting the *rc\_visard NG*, please check the firmware image version number of the currently active image to make sure that the updated image was successfully loaded. You can do so either via the Web GUI's *System* → *Firmware & License* page or via the REST-API's `GET /system/update` request.

Please contact Roboception in case the firmware update could not be applied successfully.

## 9.5 Restoring the previous firmware version

After a successful firmware update, the previous firmware image is stored on the inactive partition of the *rc\_visard NG* and can be restored in case needed. This procedure is called a *rollback*.

**Note:** Using the latest firmware as provided by Roboception is strongly recommended. Hence, rollback functionality should only be used in case of serious issues with the updated firmware version.

Rollback functionality is only accessible via the *rc\_visard NG*'s *REST-API interface* (Section 7.3) using the `PUT /system/rollback` request. It can be issued using any HTTP-compatible client or using a web browser as described in *Swagger UI* (Section 7.3.4). Like the update process, the rollback requires a subsequent device reboot to activate the restored firmware version.

## 9.6 Rebooting the *rc\_visard NG*

An *rc\_visard NG* reboot is necessary after updating the firmware or performing a software rollback. It can be issued either programmatically, via the *rc\_visard NG*'s *REST-API interface* (Section 7.3) using the `PUT /system/reboot` request, or manually on the *Web GUI*'s (Section 7.1) *System* page.

The reboot is finished when the LED turns green again.

## 9.7 Updating the software license

Licenses that are purchased from Roboception for enabling additional features can be installed via the *Web GUI*'s (Section 7.1) *System* → *Firmware & License* page. The *rc\_visard NG* has to be rebooted to apply the licenses.

## 9.8 Downloading log files

During operation, the *rc\_visard NG* logs important information, warnings, and errors into files. If the *rc\_visard NG* exhibits unexpected or erroneous behavior, the log files can be used to trace its origin. Log messages can be viewed and filtered using the *Web GUI*'s (Section 7.1) *System* → *Logs* page. If contacting the support (*Contact*, Section 12), the log files are very useful for tracking possible problems. To download them as a .tar.gz file, click on *Download all logs* on the *Web GUI*'s *System* → *Logs* page.

Aside from the *Web GUI*, the logs are also accessible via the *rc\_visard NG*'s *REST-API interface* (Section 7.3) using the *GET /logs* and *GET /logs/{log}* requests.

## 10 Accessories

### 10.1 Connectivity kit

Roboception offers an optional connectivity kit to aid customers with setting up the *rc\_visard NG*. For permanent installation, the customer is responsible for providing a suitable power supply. The connectivity kit consists of a:

- network cable with straight M12 plug to straight RJ45 connector in either 2 m, 5 m, or 10 m length,
- power adapter cable with straight M12 socket to DC barrel connector in 30 cm length,
- 24 V, 30 W wall power supply, or a 24 V, 60 W desktop power supply.

Connecting the *rc\_visard NG* to residential or office grid power requires a power supply that meets EN 55011 Class B emission standards. The E2CFS 30W 24V by EGSTON System Electronics Eggenburg GmbH (<http://www.egston.com>) contained in the connectivity kit is certified accordingly. However, it does not meet immunity standards for industrial environments under EN 61000-6-2.

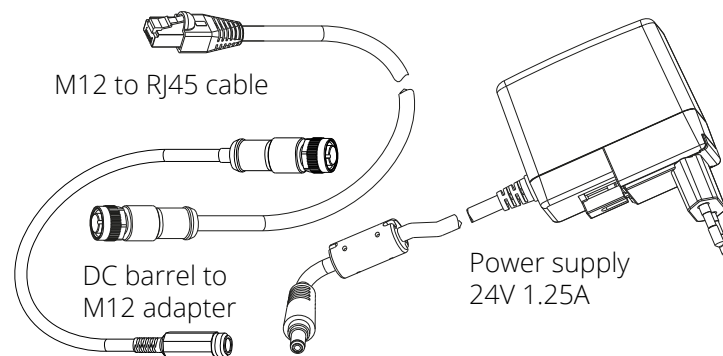


Fig. 10.1: The optional connectivity kit's components

### 10.2 Wiring

Cables are by default not provided with the *rc\_visard NG*. It is the customer's responsibility to obtain appropriate parts. The following sections provide an overview of suggested components.

#### 10.2.1 Ethernet connections

The *rc\_visard NG* provides an industrial 8-pin A-coded M12 socket connector for Ethernet connectivity. Various cabling solutions can be obtained directly from third party vendors.

##### CAT5 (1 Gbps) M12 plug to RJ45

- Straight M12 plug to straight RJ45 connector, 10 m length: Phoenix Contact NBC-MS/ 10,0-94B/R4AC SCO, Art.-Nr.: 1407417
- Straight M12 plug to straight RJ45 connector, 10 m length: MURR Electronics Art.-Nr.: 7700-48521-S4W1000
- Angled M12 plug to straight RJ45 connector, 10 m length: MURR Electronics Art.-Nr.: 7700-48551-S4W1000

### 10.2.2 Power connections

An 8-pin A-coded M12 plug connector is provided for power and GPIO connectivity. Various cabling solutions can be obtained from third party vendors. A selection of M12 to open ended cables is provided below. Customers are required to provide power and GPIO connections to the cables according to the pinouts described in *Wiring* (Section 3.5). The *rc\_visard NG*'s housing must be connected to ground.

#### Sensor/Actor cable M12 socket to open end

- Straight M12 socket connector to open end, shielded, 10m length: Phoenix Contact SAC-8P-10,0-PUR/M12FS SH, Art.Nr.: 1522891
- Angled M12 socket connector to open end, shielded 10m length: Phoenix Contact SAC-8P-10,0-PUR/M12FR SH, Art.Nr.: 1522943

#### Sensor/Actor M12 socket for field termination

- Phoenix Contact SACC-M12FS-8CON-PG9-M, Art.Nr.:1513347
- TE Connectivity T4110011081-000 (metal housing)
- TE Connectivity T4110001081-000 (plastic housing)

### 10.2.3 Power supplies

The *rc\_visard NG* is classified as an EN-55011 Class B device and immune to light industrial and industrial environments. For connecting the sensor to residential grid power, a power supply under EN 55011/55022 Class B has to be used.

It is the customer's responsibility to obtain and install a suitable power supply satisfying EN 61000-6-2 for permanent installation in industrial environments. One example that satisfies both EN 61000-6-2 and EN 55011/55022 Class B is the DIN-Rail mounted PULS MiniLine ML60.241 24V/DC 2.5 A by PULS GmbH (<http://www.pulspower.com>). A certified electrician must perform installation.

Only one *rc\_visard NG* shall be connected to a power supply at any time, and the total length of cables must be less than 30 m.

## 10.3 Spare parts

No user-serviceable spare parts are currently available for *rc\_visard NG* devices.



# 11 Troubleshooting

## 11.1 LED colors

During the boot process, the LED will change color several times to indicate stages in the boot process:

Table 11.1: LED color codes

LED color	Boot stage
white	power supply OK
blue	normal boot process in progress
green	boot complete, <i>rc_visard NG</i> ready

The LED will signal some warning or error states to support the user during troubleshooting.

Table 11.2: LED color trouble codes

LED color	Warning or error state
off	no power to the sensor
brief red flash every 5 seconds	no network connectivity
red	Some process has terminated and failed to restart.
yellow	high-temperature warning (case has exceeded 60 °C)

## 11.2 Hardware issues

### LED does not illuminate

The *rc\_visard NG* does not start up.

- Ensure that cables are connected and secured properly.
- Ensure that adequate DC voltage (18 V to 30 V) with correct polarity is applied to the power connector at the pins labeled as **Power** and **Ground** as described in the device's [pin assignment specification](#) (Section 3.5). Connecting the sensor to voltage outside of the specified range, to alternating current, with reversed polarity, or to a supply with voltage spikes will lead to permanent hardware damage.

### LED turns yellow while the sensor appears to function normally

This may indicate a high housing temperature. The sensor might be mounted in a position that obstructs free airflow around the cooling fins.

- Clean cooling fins and housing.
- Ensure a minimum of 10 cm free space in all directions around cooling fins to provide adequate convective cooling.
- Ensure that ambient temperature is within specified range.

The sensor may slow down processing when cooling is insufficient or the ambient temperature exceeds the specified range.

#### Reliability issues and/or mechanical damage

This may be an indication of ambient conditions (vibration, shock, resonance, and temperature) being outside of specified range. Please refer to the [specification of environmental conditions](#) (Section 3.3).

- Operating the *rc\_visard NG* outside of specified ambient conditions might lead to damage and will void the warranty.

#### Electrical shock when touching the sensor

This indicates an electrical fault in sensor, cabling, or power supply or adjacent system.

- Immediately turn off power to the system, disconnect cables, and have a qualified electrician check the setup.
- Ensure that the sensor housing is properly grounded; check for large ground loops.

## 11.3 Connectivity issues

### LED briefly flashes red every 5 seconds

If the LED briefly flashes red every 5 seconds, then the *rc\_visard NG* is not able to detect a network link.

- Check that the network cable is properly connected to the *rc\_visard NG* and the network.
- If no problem is visible, then replace the Ethernet cable.

### A GigE Vision client or rcdiscover-gui cannot detect the camera

- Check whether the *rc\_visard NG*'s LED flashes briefly every 5 seconds (check the cable if it does).
- Ensure that the *rc\_visard NG* is connected to the same subnet (the discovery mechanism uses broadcasts that will not work across different subnets).

### The Web GUI is inaccessible

- Ensure that the *rc\_visard NG* is turned on and connected to the same subnet as the host computer.
- Check whether the *rc\_visard NG*'s LED flashes briefly every 5 seconds (check the cable if it does).
- Check whether *rcdiscover-gui* detects the sensor. If it reports the *rc\_visard NG* as unreachable, then the *rc\_visard NG*'s [network configuration](#) (Section 4.4) is wrong.
- If the *rc\_visard NG* is reported as reachable, try double clicking the entry to open the Web GUI in a browser.
- If this does not work, try entering the *rc\_visard NG*'s reported IP address directly in the browser as target address.

### Too many Web GUIs are open at the same time

The Web GUI consumes the *rc\_visard NG*'s processing resources to compress images to be transmitted and for statistical output that is regularly polled by the browser. Leaving several instances of the Web GUI open on the same or different computers can significantly diminish the *rc\_visard NG*'s performance. The Web GUI is meant for configuration and validation, not to permanently monitor the *rc\_visard NG*.

## 11.4 Camera-image issues

### The camera image is too bright

- If the camera is in manual exposure mode, decrease the exposure time (see [Parameters](#), Section 6.1.1.3), or

- switch to auto-exposure mode (see [Parameters](#), Section 6.1.1.3).

**The camera image is too dark**

- If the camera is in manual exposure mode, increase the exposure time (see [Parameters](#), Section 6.1.1.3), or
- switch to auto-exposure mode (see [Parameters](#), Section 6.1.1.3).

**The camera image is too noisy**

Large gain factors cause high-amplitude image noise. To decrease the image noise,

- use an additional light source to increase the scene's light intensity, or
- choose a greater maximal auto-exposure time (see [Parameters](#), Section 6.1.1.3).

**The camera image is out of focus**

- Check whether the object is too close to the lens and increase the distance between the object and the lens if it is.
- Check whether the camera lenses are dirty and clean them if they are.
- If none of the above applies, a severe hardware problem might exist. Please [contact support](#) (Section 12).

**The camera image is blurred**

Fast motions in combination with long exposure times can cause blur. To reduce motion blur,

- decrease the motion speed of the camera,
- decrease the motion speed of objects in the field of view of the camera, or
- decrease the exposure time of the camera (see [Parameters](#), Section 6.1.1.3).

**The camera image is fuzzy**

- Check whether the lenses are dirty and clean them if so (see [Lens cleaning](#), Section 9.1).
- If none of the above applies, a severe hardware problem might exist. Please [contact support](#) (Section 12).

**The camera image frame rate is too low**

- Increase the image frame rate as described in [Parameters](#) (Section 6.1.1.3).
- The maximal frame rate of the cameras is 25 Hz.

## 11.5 Depth/Disparity, error, and confidence image issues

All these guidelines also apply to error and confidence images, because they correspond directly to the disparity image.

**The disparity image is too sparse or empty**

- Check whether the camera images are well exposed and sharp. Follow the instructions in [Camera-image issues](#) (Section 11.4) if applicable.
- Check whether the scene has enough texture (see [Stereo matching](#), Section 6.1.2) and install an external pattern projector if required.
- Decrease the [Minimum Distance](#) (Section 6.1.2.5).
- Increase the [Maximum Distance](#) (Section 6.1.2.5).
- Check whether the object is too close to the cameras. Consider the different depth ranges of the camera variants.
- Decrease the [Minimum Confidence](#) (Section 6.1.2.5).

- Increase the *Maximum Depth Error* (Section 6.1.2.5).
- Choose a lesser *Disparity Image Quality* (Section 6.1.2.5). Lower resolution disparity images are generally less sparse.
- Check the cameras' calibration and recalibrate if required (see *Camera calibration*, Section 6.3.3).

**The disparity images' frame rate is too low**

- Check and increase the frame rate of the camera images (see *Parameters*, Section 6.1.1.3). The frame rate of the disparity image cannot be greater than the frame rate of the camera images.
- Choose a lesser *Disparity Image Quality* (Section 6.1.2.5).
- Increase the *Minimum Distance* (Section 6.1.2.5) as much as possible for the application.

**The disparity image does not show close objects**

- Check whether the object is too close to the cameras. Consider the depth ranges of the camera variants.
- Decrease the *Minimum Distance* (Section 6.1.2.5).

**The disparity image does not show distant objects**

- Increase the *Maximum Distance* (Section 6.1.2.5).
- Increase the *Maximum Depth Error* (Section 6.1.2.5).
- Decrease the *Minimum Confidence* (Section 6.1.2.5).

**The disparity image is too noisy**

- Increase the *Segmentation value* (Section 6.1.2.5).
- Increase the *Fill-In value* (Section 6.1.2.5).

**The disparity values or the resulting depth values are too inaccurate**

- Decrease the distance between the camera and the scene. Depth-measurement error grows quadratically with the distance from the cameras.
- Check whether the scene contains repetitive patterns and remove them if it does. They could cause wrong disparity measurements.

**The disparity image is too smooth**

- Decrease the *Fill-In value* (Section 6.1.2.5).

**The disparity image does not show small structures**

- Decrease the *Segmentation value* (Section 6.1.2.5).
- Decrease the *Fill-In value* (Section 6.1.2.5).

## 11.6 GigE Vision/GenICam issues

**No images**

- Check that the modules are enabled. See `ComponentSelector` and `ComponentEnable` in *Important GenICam parameters* (Section 7.2.2).

## 12 Contact

### 12.1 Support

For support issues, please see <http://www.roboception.com/support> or contact [support@roboception.de](mailto:support@roboception.de).

### 12.2 Downloads

Software SDKs, etc. can be downloaded from <http://www.roboception.com/download>.

### 12.3 Address

Roboception GmbH  
Kaflerstrasse 2  
81241 Munich  
Germany

Web: <http://www.roboception.com>  
Email: [info@roboception.de](mailto:info@roboception.de)  
Phone: +49 89 889 50 79-0

# 13 Appendix

## 13.1 Pose formats

A pose consists of a translation and rotation. The translation defines the shift along the  $x$ ,  $y$  and  $z$  axes. The rotation can be defined in many different ways. The *rc\_visard NG* uses quaternions to define rotations and translations are given in meters. This is called the XYZ+quaternion format. This chapter explains the conversion between different common conventions and the XYZ+quaternion format.

It is quite common to define rotations in 3D by three angles that define rotations around the three coordinate axes. Unfortunately, there are many different ways to do that. The most common conventions are Euler and Cardan angles (also called Tait-Bryan angles). In both conventions, the rotations can be applied to the previously rotated axis (intrinsic rotation) or to the axis of a fixed coordinate system (extrinsic rotation).

We use  $x$ ,  $y$  and  $z$  to denote the three coordinate axes.  $x'$ ,  $y'$  and  $z'$  refer to the axes that have been rotated one time. Similarly,  $x''$ ,  $y''$  and  $z''$  are the axes after two rotations.

In the (original) Euler angle convention, the first and the third axis are always the same. The rotation order  $z$ - $x'$ - $z''$  means rotating around the  $z$ -axis, then around the already rotated  $x$ -axis and finally around the (two times) rotated  $z$ -axis. In the Cardan angle convention, three different rotation axes are used, e.g.  $z$ - $y'$ - $x''$ . Cardan angles are often also just called Euler angles.

For each intrinsic rotation order, there is an equivalent extrinsic rotation order, which is inverted, e.g. the intrinsic rotation order  $z$ - $y'$ - $x''$  is equivalent to the extrinsic rotation order  $x$ - $y$ - $z$ .

Rotations around the  $x$ ,  $y$  and  $z$  axes can be defined by quaternions as

$$r_x(\alpha) = \begin{pmatrix} \sin \frac{\alpha}{2} \\ 0 \\ 0 \\ \cos \frac{\alpha}{2} \end{pmatrix}, \quad r_y(\beta) = \begin{pmatrix} 0 \\ \sin \frac{\beta}{2} \\ 0 \\ \cos \frac{\beta}{2} \end{pmatrix}, \quad r_z(\gamma) = \begin{pmatrix} 0 \\ 0 \\ \sin \frac{\gamma}{2} \\ \cos \frac{\gamma}{2} \end{pmatrix},$$

or by rotation matrices as

$$r_x(\alpha) = \begin{pmatrix} 1 & 0 & 0 \\ 0 & \cos \alpha & -\sin \alpha \\ 0 & \sin \alpha & \cos \alpha \end{pmatrix},$$

$$r_y(\beta) = \begin{pmatrix} \cos \beta & 0 & \sin \beta \\ 0 & 1 & 0 \\ -\sin \beta & 0 & \cos \beta \end{pmatrix},$$

$$r_z(\gamma) = \begin{pmatrix} \cos \gamma & -\sin \gamma & 0 \\ \sin \gamma & \cos \gamma & 0 \\ 0 & 0 & 1 \end{pmatrix}.$$

The extrinsic rotation order  $x$ - $y$ - $z$  can be computed by multiplying the individual rotations in inverse order, i.e.  $r_z(\gamma)r_y(\beta)r_x(\alpha)$ .

Based on these definitions, the following sections explain the conversion between common conventions and the XYZ+quaternion format.

**Note:** Please be aware of units for positions and orientations. *rc\_visard NG* devices always specify positions in meters, while most robot manufacturers use millimeters or inches. Angles are typically specified in degrees, but may sometimes also be given in radians.

### 13.1.1 Rotation matrix and translation vector

A pose can also be defined by a rotation matrix  $R$  and a translation vector  $T$ .

$$R = \begin{pmatrix} r_{00} & r_{01} & r_{02} \\ r_{10} & r_{11} & r_{12} \\ r_{20} & r_{21} & r_{22} \end{pmatrix}, \quad T = \begin{pmatrix} X \\ Y \\ Z \end{pmatrix}.$$

The pose transformation can be applied to a point  $P$  by

$$P' = RP + T.$$

#### 13.1.1.1 Conversion from rotation matrix to quaternion

The conversion from a rotation matrix (with  $\det(R) = 1$ ) to a quaternion  $q = (x \ y \ z \ w)$  can be done as follows.

$$\begin{aligned} x &= \text{sign}(r_{21} - r_{12}) \frac{1}{2} \sqrt{\max(0, 1 + r_{00} - r_{11} - r_{22})} \\ y &= \text{sign}(r_{02} - r_{20}) \frac{1}{2} \sqrt{\max(0, 1 - r_{00} + r_{11} - r_{22})} \\ z &= \text{sign}(r_{10} - r_{01}) \frac{1}{2} \sqrt{\max(0, 1 - r_{00} - r_{11} + r_{22})} \\ w &= \frac{1}{2} \sqrt{\max(0, 1 + r_{00} + r_{11} + r_{22})} \end{aligned}$$

The sign operator returns -1 if the argument is negative. Otherwise, 1 is returned. It is used to recover the sign for the square root. The max function ensures that the argument of the square root function is not negative, which can happen in practice due to round-off errors.

#### 13.1.1.2 Conversion from quaternion to rotation matrix

The conversion from a quaternion  $q = (x \ y \ z \ w)$  with  $\|q\| = 1$  to a rotation matrix can be done as follows.

$$R = 2 \begin{pmatrix} \frac{1}{2} - y^2 - z^2 & xy - zw & xz + yw \\ xy + zw & \frac{1}{2} - x^2 - z^2 & yz - xw \\ xz - yw & yz + xw & \frac{1}{2} - x^2 - y^2 \end{pmatrix}$$

### 13.1.2 ABB pose format

ABB robots use a position and a quaternion for describing a pose, like *rc\_visard NG* devices. There is no conversion of the orientation needed.

### 13.1.3 FANUC XYZ-WPR format

The pose format that is used by FANUC robots consists of a position  $XYZ$  in millimeters and an orientation  $WPR$  that is given by three angles in degrees, with  $W$  rotating around  $x$ -axis,  $P$  rotating around  $y$ -axis and  $R$  rotating around  $z$ -axis. The rotation order is  $x$ - $y$ - $z$  and computed by  $r_z(R)r_y(P)r_x(W)$ .

### 13.1.3.1 Conversion from FANUC-WPR to quaternion

The conversion from the *WPR* angles in degrees to a quaternion  $q = ( x \ y \ z \ w )$  can be done by first converting all angles to radians

$$\begin{aligned} W_r &= W \frac{\pi}{180}, \\ P_r &= P \frac{\pi}{180}, \\ R_r &= R \frac{\pi}{180}, \end{aligned}$$

and then calculating the quaternion with

$$\begin{aligned} x &= \cos(R_r/2) \cos(P_r/2) \sin(W_r/2) - \sin(R_r/2) \sin(P_r/2) \cos(W_r/2), \\ y &= \cos(R_r/2) \sin(P_r/2) \cos(W_r/2) + \sin(R_r/2) \cos(P_r/2) \sin(W_r/2), \\ z &= \sin(R_r/2) \cos(P_r/2) \cos(W_r/2) - \cos(R_r/2) \sin(P_r/2) \sin(W_r/2), \\ w &= \cos(R_r/2) \cos(P_r/2) \cos(W_r/2) + \sin(R_r/2) \sin(P_r/2) \sin(W_r/2). \end{aligned}$$

### 13.1.3.2 Conversion from quaternion to FANUC-WPR

The conversion from a quaternion  $q = ( x \ y \ z \ w )$  with  $\|q\| = 1$  to the *WPR* angles in degrees can be done as follows.

$$\begin{aligned} R &= \operatorname{atan}_2(2(wz + xy), 1 - 2(y^2 + z^2)) \frac{180}{\pi} \\ P &= \operatorname{asin}(2(wy - zx)) \frac{180}{\pi} \\ W &= \operatorname{atan}_2(2(wx + yz), 1 - 2(x^2 + y^2)) \frac{180}{\pi} \end{aligned}$$

## 13.1.4 Franka Emika Pose Format

Franka Emika robots use a transformation matrix  $T$  to define a pose. A transformation matrix combines a rotation matrix  $R$  and a translation vector  $t = ( x \ y \ z )^T$ .

$$T = \begin{pmatrix} r_{00} & r_{01} & r_{02} & x \\ r_{10} & r_{11} & r_{12} & y \\ r_{20} & r_{21} & r_{22} & z \\ 0 & 0 & 0 & 1 \end{pmatrix}$$

The pose given by Franka Emika's "Measure Pose" App consists of a translation  $x, y, z$  in millimeters and a rotation  $x, y, z$  in degrees. The rotation convention is  $z\text{-}y'\text{-}x''$  (i.e.  $x\text{-}y\text{-}z$ ) and is computed by  $r_z(z)r_y(y)r_x(x)$ .

### 13.1.4.1 Conversion from transformation matrix to quaternion

The conversion from a rotation matrix (with  $\det(R) = 1$ ) to a quaternion  $q = ( q_x \ q_y \ q_z \ q_w )$  can be done as follows:

$$\begin{aligned} q_x &= \operatorname{sign}(r_{21} - r_{12}) \frac{1}{2} \sqrt{\max(0, 1 + r_{00} - r_{11} - r_{22})} \\ q_y &= \operatorname{sign}(r_{02} - r_{20}) \frac{1}{2} \sqrt{\max(0, 1 - r_{00} + r_{11} - r_{22})} \\ q_z &= \operatorname{sign}(r_{10} - r_{01}) \frac{1}{2} \sqrt{\max(0, 1 - r_{00} - r_{11} + r_{22})} \\ q_w &= \frac{1}{2} \sqrt{\max(0, 1 + r_{00} + r_{11} + r_{22})} \end{aligned}$$



The sign operator returns -1 if the argument is negative. Otherwise, 1 is returned. It is used to recover the sign for the square root. The max function ensures that the argument of the square root function is not negative, which can happen in practice due to round-off errors.

#### 13.1.4.2 Conversion from Rotation-XYZ to quaternion

The conversion from the  $x, y, z$  angles in degrees to a quaternion  $q = (q_x \ q_y \ q_z \ q_w)$  can be done by first converting all angles to radians

$$\begin{aligned} X_r &= x \frac{\pi}{180}, \\ Y_r &= y \frac{\pi}{180}, \\ Z_r &= z \frac{\pi}{180}, \end{aligned}$$

and then calculating the quaternion with

$$\begin{aligned} q_x &= \cos(Z_r/2) \cos(Y_r/2) \sin(X_r/2) - \sin(Z_r/2) \sin(Y_r/2) \cos(X_r/2), \\ q_y &= \cos(Z_r/2) \sin(Y_r/2) \cos(X_r/2) + \sin(Z_r/2) \cos(Y_r/2) \sin(X_r/2), \\ q_z &= \sin(Z_r/2) \cos(Y_r/2) \cos(X_r/2) - \cos(Z_r/2) \sin(Y_r/2) \sin(X_r/2), \\ q_w &= \cos(Z_r/2) \cos(Y_r/2) \cos(X_r/2) + \sin(Z_r/2) \sin(Y_r/2) \sin(X_r/2). \end{aligned}$$

#### 13.1.4.3 Conversion from quaternion and translation to transformation

The conversion from a quaternion  $q = (q_x \ q_y \ q_z \ q_w)$  and a translation vector  $t = (x \ y \ z)^T$  to a transformation matrix  $T$  can be done as follows:

$$T = \begin{pmatrix} 1 - 2s(q_y^2 + q_z^2) & 2s(q_x q_y - q_z q_w) & 2s(q_x q_z + q_y q_w) & x \\ 2s(q_x q_y + q_z q_w) & 1 - 2s(q_x^2 + q_z^2) & 2s(q_y q_z - q_x q_w) & y \\ 2s(q_x q_z - q_y q_w) & 2s(q_y q_z + q_x q_w) & 1 - 2s(q_x^2 + q_y^2) & z \\ 0 & 0 & 0 & 1 \end{pmatrix}$$

where  $s = \|q\|^{-2} = \frac{1}{q_x^2 + q_y^2 + q_z^2 + q_w^2}$  and  $s = 1$  if  $q$  is a unit quaternion.

#### 13.1.4.4 Conversion from quaternion to Rotation-XYZ

The conversion from a quaternion  $q = (q_x \ q_y \ q_z \ q_w)$  with  $\|q\| = 1$  to the  $x, y, z$  angles in degrees can be done as follows.

$$\begin{aligned} x &= \operatorname{atan}_2(2(q_w q_z + q_x q_y), 1 - 2(q_y^2 + q_z^2)) \frac{180}{\pi} \\ y &= \operatorname{asin}(2(q_w q_y - q_z q_x)) \frac{180}{\pi} \\ z &= \operatorname{atan}_2(2(q_w q_x + q_y q_z), 1 - 2(q_x^2 + q_y^2)) \frac{180}{\pi} \end{aligned}$$

#### 13.1.4.5 Pose representation in RaceCom messages and state machines

In RaceCom messages and in state machines a pose is usually defined as one-dimensional array of 16 float values, representing the transformation matrix in column-major order. The indices of the matrix entries below correspond to the array indices

$$T = \begin{pmatrix} a_0 & a_4 & a_8 & a_{12} \\ a_1 & a_5 & a_9 & a_{13} \\ a_2 & a_6 & a_{10} & a_{14} \\ a_3 & a_7 & a_{11} & a_{15} \end{pmatrix}$$

### 13.1.5 Fruitcore HORST pose format

Fruitcore HORST robots use a position in meters and a quaternion with  $q_0 = w$ ,  $q_1 = x$ ,  $q_2 = y$  and  $q_3 = z$  for describing a pose, like *rc\_visard NG* devices. There is no conversion needed.

### 13.1.6 Kawasaki XYZ-OAT format

The pose format that is used by Kawasaki robots consists of a position *XYZ* in millimeters and an orientation *OAT* that is given by three angles in degrees, with *O* rotating around *z* axis, *A* rotating around the rotated *y* axis and *T* rotating around the rotated *z* axis. The rotation convention is *z-y'-z''* (i.e. *z-y-z*) and computed by  $r_z(O)r_y(A)r_z(T)$ .

#### 13.1.6.1 Conversion from Kawasaki-OAT to quaternion

The conversion from the *OAT* angles in degrees to a quaternion  $q = (x \ y \ z \ w)$  can be done by first converting all angles to radians

$$\begin{aligned} O_r &= O \frac{\pi}{180}, \\ A_r &= A \frac{\pi}{180}, \\ T_r &= T \frac{\pi}{180}, \end{aligned}$$

and then calculating the quaternion with

$$\begin{aligned} x &= \cos(O_r/2) \sin(A_r/2) \sin(T_r/2) - \sin(O_r/2) \sin(A_r/2) \cos(T_r/2), \\ y &= \cos(O_r/2) \sin(A_r/2) \cos(T_r/2) + \sin(O_r/2) \sin(A_r/2) \sin(T_r/2), \\ z &= \sin(O_r/2) \cos(A_r/2) \cos(T_r/2) + \cos(O_r/2) \cos(A_r/2) \sin(T_r/2), \\ w &= \cos(O_r/2) \cos(A_r/2) \cos(T_r/2) - \sin(O_r/2) \cos(A_r/2) \sin(T_r/2). \end{aligned}$$

#### 13.1.6.2 Conversion from quaternion to Kawasaki-OAT

The conversion from a quaternion  $q = (x \ y \ z \ w)$  with  $\|q\| = 1$  to the *OAT* angles in degrees can be done as follows.

If  $x = 0$  **and**  $y = 0$  the conversion is

$$\begin{aligned} O &= \text{atan}_2(2(z-w), 2(z+w)) \frac{180}{\pi} \\ A &= \text{acos}(w^2 + z^2) \frac{180}{\pi} \\ T &= \text{atan}_2(2(z+w), 2(w-z)) \frac{180}{\pi} \end{aligned}$$

If  $z = 0$  **and**  $w = 0$  the conversion is

$$\begin{aligned} O &= \text{atan}_2(2(y-x), 2(x+y)) \frac{180}{\pi} \\ A &= \text{acos}(-1.0) \frac{180}{\pi} \\ T &= \text{atan}_2(2(y+x), 2(y-x)) \frac{180}{\pi} \end{aligned}$$

In all other cases the conversion is

$$O = \operatorname{atan}_2(2(yz - wx), 2(xz + wy)) \frac{180}{\pi}$$

$$A = \operatorname{acos}(w^2 - x^2 - y^2 + z^2) \frac{180}{\pi}$$

$$T = \operatorname{atan}_2(2(yz + wx), 2(wy - xz)) \frac{180}{\pi}$$

### 13.1.7 KUKA XYZ-ABC format

KUKA robots use the so called XYZ-ABC format. *XYZ* is the position in millimeters. *ABC* are angles in degrees, with *A* rotating around *z* axis, *B* rotating around *y* axis and *C* rotating around *x* axis. The rotation convention is *z-y'-x''* (i.e. *x-y-z*) and computed by  $r_z(A)r_y(B)r_x(C)$ .

#### 13.1.7.1 Conversion from KUKA-ABC to quaternion

The conversion from the *ABC* angles in degrees to a quaternion  $q = (x \ y \ z \ w)$  can be done by first converting all angles to radians

$$A_r = A \frac{\pi}{180},$$

$$B_r = B \frac{\pi}{180},$$

$$C_r = C \frac{\pi}{180},$$

and then calculating the quaternion with

$$x = \cos(A_r/2) \cos(B_r/2) \sin(C_r/2) - \sin(A_r/2) \sin(B_r/2) \cos(C_r/2),$$

$$y = \cos(A_r/2) \sin(B_r/2) \cos(C_r/2) + \sin(A_r/2) \cos(B_r/2) \sin(C_r/2),$$

$$z = \sin(A_r/2) \cos(B_r/2) \cos(C_r/2) - \cos(A_r/2) \sin(B_r/2) \sin(C_r/2),$$

$$w = \cos(A_r/2) \cos(B_r/2) \cos(C_r/2) + \sin(A_r/2) \sin(B_r/2) \sin(C_r/2).$$

#### 13.1.7.2 Conversion from quaternion to KUKA-ABC

The conversion from a quaternion  $q = (x \ y \ z \ w)$  with  $\|q\| = 1$  to the *ABC* angles in degrees can be done as follows.

$$A = \operatorname{atan}_2(2(wz + xy), 1 - 2(y^2 + z^2)) \frac{180}{\pi}$$

$$B = \operatorname{asin}(2(wy - zx)) \frac{180}{\pi}$$

$$C = \operatorname{atan}_2(2(wx + yz), 1 - 2(x^2 + y^2)) \frac{180}{\pi}$$

### 13.1.8 Mitsubishi XYZ-ABC format

The pose format that is used by Mitsubishi robots is the same as that for KUKA robots (see [KUKA XYZ-ABC format](#), Section 13.1.7), except that *A* is a rotation around *x* axis and *C* is a rotation around *z* axis. Thus, the rotation is computed by  $r_z(C)r_y(B)r_x(A)$ .

### 13.1.8.1 Conversion from Mitsubishi-ABC to quaternion

The conversion from the  $ABC$  angles in degrees to a quaternion  $q = ( x \ y \ z \ w )$  can be done by first converting all angles to radians

$$\begin{aligned} A_r &= A \frac{\pi}{180}, \\ B_r &= B \frac{\pi}{180}, \\ C_r &= C \frac{\pi}{180}, \end{aligned}$$

and then calculating the quaternion with

$$\begin{aligned} x &= \cos(C_r/2) \cos(B_r/2) \sin(A_r/2) - \sin(C_r/2) \sin(B_r/2) \cos(A_r/2), \\ y &= \cos(C_r/2) \sin(B_r/2) \cos(A_r/2) + \sin(C_r/2) \cos(B_r/2) \sin(A_r/2), \\ z &= \sin(C_r/2) \cos(B_r/2) \cos(A_r/2) - \cos(C_r/2) \sin(B_r/2) \sin(A_r/2), \\ w &= \cos(C_r/2) \cos(B_r/2) \cos(A_r/2) + \sin(C_r/2) \sin(B_r/2) \sin(A_r/2). \end{aligned}$$

### 13.1.8.2 Conversion from quaternion to Mitsubishi-ABC

The conversion from a quaternion  $q = ( x \ y \ z \ w )$  with  $\|q\| = 1$  to the  $ABC$  angles in degrees can be done as follows.

$$\begin{aligned} A &= \operatorname{atan}_2(2(wx + yz), 1 - 2(x^2 + y^2)) \frac{180}{\pi} \\ B &= \operatorname{asin}(2(wy - zx)) \frac{180}{\pi} \\ C &= \operatorname{atan}_2(2(wz + xy), 1 - 2(y^2 + z^2)) \frac{180}{\pi} \end{aligned}$$

## 13.1.9 Universal Robots pose format

The pose format that is used by Universal Robots consists of a position  $XYZ$  in millimeters and an orientation in angle-axis format  $V = ( RX \ RY \ RZ )^T$ . The rotation angle  $\theta$  in radians is the length of the rotation axis  $U$ .

$$V = \begin{pmatrix} RX \\ RY \\ RZ \end{pmatrix} = \begin{pmatrix} \theta u_x \\ \theta u_y \\ \theta u_z \end{pmatrix}$$

$V$  is called a rotation vector.

### 13.1.9.1 Conversion from angle-axis format to quaternion

The conversion from a rotation vector  $V$  to a quaternion  $q = ( x \ y \ z \ w )$  can be done as follows.

We first recover the angle  $\theta$  in radians from the rotation vector  $V$  by

$$\theta = \sqrt{RX^2 + RY^2 + RZ^2}.$$

If  $\theta = 0$ , then the quaternion is  $q = ( 0 \ 0 \ 0 \ 1 )$ , otherwise it is

$$\begin{aligned}x &= RX \frac{\sin(\theta/2)}{\theta}, \\y &= RY \frac{\sin(\theta/2)}{\theta}, \\z &= RZ \frac{\sin(\theta/2)}{\theta}, \\w &= \cos(\theta/2).\end{aligned}$$

### 13.1.9.2 Conversion from quaternion to angle-axis format

The conversion from a quaternion  $q = ( x \ y \ z \ w )$  with  $\|q\| = 1$  to a rotation vector in angle-axis form can be done as follows.

We first recover the angle  $\theta$  in radians from the quaternion by

$$\theta = 2 \cdot \text{acos}(w).$$

If  $\theta = 0$ , then the rotation vector is  $V = ( 0 \ 0 \ 0 )^T$ , otherwise it is

$$\begin{aligned}RX &= \theta \frac{x}{\sqrt{1-w^2}}, \\RY &= \theta \frac{y}{\sqrt{1-w^2}}, \\RZ &= \theta \frac{z}{\sqrt{1-w^2}}.\end{aligned}$$

## 13.1.10 Yaskawa Pose Format

The pose format that is used by Yaskawa robots consists of a position  $XYZ$  in millimeters and an orientation that is given by three angles in degrees, with  $R_x$  rotating around  $x$ -axis,  $R_y$  rotating around  $y$ -axis and  $R_z$  rotating around  $z$ -axis. The rotation order is  $x$ - $y$ - $z$  and computed by  $r_z(R_z)r_y(R_y)r_x(R_x)$ .

### 13.1.10.1 Conversion from Yaskawa $R_x, R_y, R_z$ to quaternion

The conversion from the  $R_x, R_y, R_z$  angles in degrees to a quaternion  $q = ( x \ y \ z \ w )$  can be done by first converting all angles to radians

$$\begin{aligned}X_r &= Rx \frac{\pi}{180}, \\Y_r &= Ry \frac{\pi}{180}, \\Z_r &= Rz \frac{\pi}{180},\end{aligned}$$

and then calculating the quaternion with

$$\begin{aligned}x &= \cos(Z_r/2) \cos(Y_r/2) \sin(X_r/2) - \sin(Z_r/2) \sin(Y_r/2) \cos(X_r/2), \\y &= \cos(Z_r/2) \sin(Y_r/2) \cos(X_r/2) + \sin(Z_r/2) \cos(Y_r/2) \sin(X_r/2), \\z &= \sin(Z_r/2) \cos(Y_r/2) \cos(X_r/2) - \cos(Z_r/2) \sin(Y_r/2) \sin(X_r/2), \\w &= \cos(Z_r/2) \cos(Y_r/2) \cos(X_r/2) + \sin(Z_r/2) \sin(Y_r/2) \sin(X_r/2).\end{aligned}$$

### 13.1.10.2 Conversion from quaternion to Yaskawa Rx, Ry, Rz

The conversion from a quaternion  $q = ( x \ y \ z \ w )$  with  $\|q\| = 1$  to the  $Rx, Ry, Rz$  angles in degrees can be done as follows.

$$Rx = \text{atan}_2(2(wx + yz), 1 - 2(x^2 + y^2)) \frac{180}{\pi}$$

$$Ry = \text{asin}(2(wy - zx)) \frac{180}{\pi}$$

$$Rz = \text{atan}_2(2(wz + xy), 1 - 2(y^2 + z^2)) \frac{180}{\pi}$$

# HTTP Routing Table

## /cad

GET /cad/gripper\_elements, 266  
 GET /cad/gripper\_elements/{id}, 267  
 PUT /cad/gripper\_elements/{id}, 267  
 DELETE /cad/gripper\_elements/{id}, 268

## /logs

GET /logs, 302  
 GET /logs/{log}, 302

## /nodes

GET /nodes, 285  
 GET /nodes/{node}, 286  
 GET /nodes/{node}/services, 287  
 GET /nodes/{node}/services/{service}, 288  
 GET /nodes/{node}/status, 289  
 PUT /nodes/{node}/services/{service}, 288

## /pipelines

GET /pipelines/{pipeline}/nodes, 290  
 GET /pipelines/{pipeline}/nodes/{node}, 291  
 GET /pipelines/{pipeline}/nodes/{node}/parameters, 292  
 GET /pipelines/{pipeline}/nodes/{node}/parameters/{param}, 294  
 GET /pipelines/{pipeline}/nodes/{node}/services, 295  
 GET /pipelines/{pipeline}/nodes/{node}/services/{service}, 296  
 GET /pipelines/{pipeline}/nodes/{node}/status, 298  
 PUT /pipelines/{pipeline}/nodes/{node}/parameters, 293  
 PUT /pipelines/{pipeline}/nodes/{node}/parameters/{param}, 294  
 PUT /pipelines/{pipeline}/nodes/{node}/services, 297

## /system

GET /system, 303  
 GET /system/backup, 305  
 GET /system/ca\_certificates, 306  
 GET /system/ca\_certificates/{id}, 306  
 GET /system/dns, 307  
 GET /system/license, 308  
 GET /system/max\_power\_test, 309  
 GET /system/network, 310

GET /system/network/settings, 310  
 GET /system/ntp, 312  
 GET /system/rollback, 313  
 GET /system/time, 314  
 GET /system/ui\_lock, 315  
 GET /system/update, 316  
 POST /system/backup, 305  
 POST /system/license, 309  
 POST /system/max\_power\_test, 309  
 POST /system/ui\_lock, 316  
 POST /system/update, 317  
 PUT /system/ca\_certificates/{id}, 306  
 PUT /system/dns, 307  
 PUT /system/network/settings, 311  
 PUT /system/ntp, 312  
 PUT /system/reboot, 313  
 PUT /system/rollback, 314  
 PUT /system/time, 314  
 DELETE /system/ca\_certificates/{id}, 307  
 DELETE /system/ui\_lock, 315

## /templates

GET /templates/rc\_boxpick, 128  
 GET /templates/rc\_boxpick/{id}, 129  
 GET /templates/rc\_cadmach, 199  
 GET /templates/rc\_cadmach/{id}, 200  
 GET /templates/rc\_silhouettematch, 165  
 GET /templates/rc\_silhouettematch/{id}, 166  
 PUT /templates/rc\_boxpick/{id}, 129  
 PUT /templates/rc\_cadmach/{id}, 200  
 PUT /templates/rc\_silhouettematch/{id}, 166  
 DELETE /templates/rc\_boxpick/{id}, 130  
 DELETE /templates/rc\_cadmach/{id}, 201  
 DELETE /templates/rc\_silhouettematch/{id}, 167

## /userspace

GET /userspace, 299  
 GET /userspace/proxy, 301  
 PUT /userspace/configure, 300  
 PUT /userspace/proxy, 301

# Index

## Symbols

3D coordinates, 43  
    disparity image, 42  
3D modeling, 43  
3D object detection, 168

## A

acquisition mode  
    camera, 33  
    disparity image, 46  
AcquisitionAlternateFilter  
    GenICam, 277  
AcquisitionFrameRate  
    GenICam, 274  
AcquisitionMultiPartMode  
    GenICam, 277  
active partition, 352  
AdaptiveOut1  
    auto exposure mode, 36  
AprilTag, 73  
    pose estimation, 75  
    re-identification, 76  
    return codes, 84  
    services, 79  
auto  
    exposure, 36  
auto exposure, 35–37  
auto exposure mode, 36  
    AdaptiveOut1, 36  
    Normal, 36  
    Out1High, 36

## B

backup  
    settings, 350  
BalanceRatio  
    GenICam, 274  
BalanceRatioSelector  
    GenICam, 274  
BalanceWhiteAuto  
    GenICam, 274  
base-plane  
    SilhouetteMatch, 132  
base-plane calibration  
    SilhouetteMatch, 132  
Baseline  
    GenICam, 278  
baseline, 30

## Baumer

    IpConfigTool, 27  
bin picking, 84, 102, 168  
BoxPick, 102  
    filling level, 59  
    grasp, 105  
    grasp sorting, 105  
    item models, 103  
    load carrier, 58, 243  
    parameters, 108  
    preferred orientation, 106  
    RECTANGLE, 103  
    region of interest, 251  
    return codes, 128  
    services, 115  
    status, 114  
    template api, 128  
    template deletion, 128  
    template download, 128  
    template upload, 128  
    texture, 104  
    TEXTURED\_BOX, 104  
    views, 104

## C

cables, 18, 354  
CAD model, 16  
CADMatch, 168  
    collision check, 172  
    filling level, 59  
    grasp points, 168  
    load carrier, 58, 243  
    object detection, 170  
    object template, 168–170  
    parameters, 173  
    pose priors, 169  
    preferred orientation, 169  
    region of interest, 251  
    return codes, 198  
    services, 178  
    sorting, 170  
    status, 178  
    template api, 199  
    template deletion, 199  
    template download, 199  
    template upload, 199  
calibration  
    camera, 233



- hand-eye calibration, [206](#)
  - rectification, [30](#)
- calibration grid, [233](#)
- camera
  - acquisition mode, [33](#)
  - calibration, [233](#)
  - frame rate, [34](#)
  - gamma, [35](#)
  - parameters, [31, 33](#)
  - trigger activation, [34](#)
  - trigger source, [34](#)
  - Web GUI, [31](#)
- camera calibration
  - monocalibration, [238](#)
  - parameters, [239](#)
  - services, [239](#)
  - stereo calibration, [236](#)
- camera model, [30](#)
- Chunk data
  - GenICam, [276](#)
- collision check, [224, 258](#)
- CollisionCheck, [224](#)
  - return codes, [232](#)
- compartment
  - load carrier, [246](#)
- ComponentEnable
  - GenICam, [273](#)
- ComponentIDValue
  - GenICam, [273](#)
- components
  - rc\_visard, [14](#)
- ComponentSelector
  - GenICam, [273](#)
- Confidence
  - GenICam image stream, [280](#)
- confidence, [43](#)
  - minimum, [50](#)
- connectivity kit, [354](#)
- container, [348](#)
- conversions
  - GenICam image stream, [281](#)
- cooling, [17](#)
- coordinate frames
  - mounting, [21](#)
- D**
- data model
  - REST-API, [317](#)
- data-type
  - REST-API, [317](#)
- definition
  - load carrier, [244](#)
- depth error
  - maximum, [50](#)
- depth image, [41, 42, 42](#)
  - Web GUI, [44](#)
- depth measurement, [53](#)
- DepthAcquisitionMode
  - GenICam, [278](#)
- DepthAcquisitionTrigger
  - GenICam, [278](#)
- DepthDoubleShot
  - GenICam, [279](#)
- DepthFill
  - GenICam, [279](#)
- DepthMaxDepth
  - GenICam, [279](#)
- DepthMaxDepthErr
  - GenICam, [280](#)
- DepthMinConf
  - GenICam, [279](#)
- DepthMinDepth
  - GenICam, [279](#)
- DepthQuality
  - GenICam, [279](#)
- DepthSeg
  - GenICam, [279](#)
- DepthSmooth
  - GenICam, [279](#)
- DepthStaticScene
  - GenICam, [279](#)
- detection
  - load carrier, [58](#)
  - tag, [72](#)
- DHCP, [10](#)
- DHCP, [26](#)
- dimensions
  - load carrier, [244](#)
  - rc\_visard, [16](#)
- disable parameter lock
  - GenICam, [277](#)
- discovery GUI, [23](#)
- Disparity
  - GenICam image stream, [280](#)
- disparity, [28, 30, 41](#)
- disparity error, [43](#)
- disparity image, [28, 41](#)
  - 3D coordinates, [42](#)
  - acquisition mode, [46](#)
  - double\_shot, [48](#)
  - exposure adaptation timeout, [47](#)
  - parameters, [44](#)
  - quality, [47](#)
  - smooth, [49](#)
  - static\_scene, [48](#)
  - Web GUI, [44](#)
- DNS, [10](#)
- Docker, [348](#)
- DOF, [10](#)
- double\_shot
  - disparity image, [48](#)
  - GenICam, [279](#)
- download
  - images, [31](#)
  - log files, [353](#)
  - point cloud, [44](#)

settings, 350

## E

eki, 336

Error

GenICam image stream, 280

error, 43

hand-eye calibration, 212

Ethernet

pin assignments, 18

exposure

auto, 35, 36

HDR, 35

manual, 35, 36

exposure adaptation timeout

disparity image, 47

exposure region, 37

exposure time, 31, 38

maximum, 37

ExposureAuto

GenICam, 274

ExposureRegionHeight

GenICam, 278

ExposureRegionOffsetX

GenICam, 277

ExposureRegionOffsetY

GenICam, 277

ExposureRegionWidth

GenICam, 278

ExposureTime

GenICam, 274

ExposureTimeAutoMax

GenICam, 277

external reference frame

hand-eye calibration, 202

## F

fill-in, 50

GenICam, 279

filling level

BoxPick, 59

ItemPick, 59

LoadCarrier, 59

SilhouetteMatch, 59

firmware

mender, 351

rollback, 352

update, 351

version, 351

focal length, 30

focal length factor

GenICam, 278

FocalLengthFactor

GenICam, 278

fps, *see* frame rate

frame rate, 15

camera, 34

GenICam, 274

## G

Gain

GenICam, 274

gain factor, 31, 37, 38

gamma

camera, 35

GenICam, 10

GenICam

AcquisitionAlternateFilter, 277

AcquisitionFrameRate, 274

AcquisitionMultiPartMode, 277

BalanceRatio, 274

BalanceRatioSelector, 274

BalanceWhiteAuto, 274

Baseline, 278

Chunk data, 276

ComponentEnable, 273

ComponentIDValue, 273

ComponentSelector, 273

DepthAcquisitionMode, 278

DepthAcquisitionTrigger, 278

DepthDoubleShot, 279

DepthFill, 279

DepthMaxDepth, 279

DepthMaxDepthErr, 280

DepthMinConf, 279

DepthMinDepth, 279

DepthQuality, 279

DepthSeg, 279

DepthSmooth, 279

DepthStaticScene, 279

disable parameter lock, 277

double\_shot, 279

ExposureAuto, 274

ExposureRegionHeight, 278

ExposureRegionOffsetX, 277

ExposureRegionOffsetY, 277

ExposureRegionWidth, 278

ExposureTime, 274

ExposureTimeAutoMax, 277

fill-in, 279

focal length factor, 278

FocalLengthFactor, 278

frame rate, 274

Gain, 274

Height, 273

HeightMax, 273

LineSelector, 275

LineSource, 275

LineStyle, 275

LineStyleAll, 275

maximum depth error, 280

maximum distance, 279

minimum confidence, 279

minimum distance, 279

PixelFormat, 273, 280

PtpEnable, 275

quality, 279

- RcExposureAutoAverageMax, 278
- RcExposureAutoAverageMin, 278
- Scan3dBaseline, 276
- Scan3dCoordinateOffset, 276
- Scan3dCoordinateScale, 276
- Scan3dDistanceUnit, 275
- Scan3dFocalLength, 275
- Scan3dInvalidDataFlag, 276
- Scan3dInvalidDataValue, 276
- Scan3dOutputMode, 275
- Scan3dPrinciplePointU, 276
- Scan3dPrinciplePointV, 276
- segmentation, 279
- smooth, 279
- static\_scene, 279
- system ready, 277
- timestamp, 281
- Width, 273
- WidthMax, 273
- GenICam image stream
  - Confidence, 280
  - conversions, 281
  - Disparity, 280
  - Error, 280
  - Intensity, 280
  - IntensityCombined, 280
- GigE, 10
- GigE Vision, 10
- GigE Vision, *see* GenICam
  - IP address, 27
- GPIO
  - pin assignments, 19
- grasp computation, 84, 102, 168
- gripper CAD element api, 266
- gripper CAD element deletion, 266
- gripper CAD element download, 266
- gripper CAD element upload, 266
- GripperDB, 258
  - return codes, 266
- gRPC, 344
- H**
- hand-eye calibration
  - calibration, 206
  - error, 212
  - external reference frame, 202
  - mounting, 202
  - parameters, 212
  - robot frame, 202
  - slot, 209
- Height
  - GenICam, 273
- HeightMax
  - GenICam, 273
- host name, 26
- housing temperature
  - LED, 17
- humidity, 17
- I**
- image
  - timestamp, 44, 281
- image noise, 37
- images
  - download, 31
- inactive partition, 352
- inner volume
  - load carrier, 244
- installation, 23
- Intensity
  - GenICam image stream, 280
- IntensityCombined
  - GenICam image stream, 280
- IP, 10
- IP address, 10
- IP address, 25
  - GigE Vision, 27
- IP54, 17
- IpConfigTool
  - Baumer, 27
- ItemPick, 84
  - filling level, 59
  - grasp, 85
  - grasp sorting, 85
  - load carrier, 58, 243
  - parameters, 88
  - preferred orientation, 86
  - region of interest, 251
  - return codes, 102
  - services, 92
  - status, 92
- L**
- LED, 23
  - colors, 356
  - housing temperature, 17
- LineSelector
  - GenICam, 275
- LineSource
  - GenICam, 275
- LineStyle
  - GenICam, 275
- LineStyleAll
  - GenICam, 275
- Link-Local, 10
- Link-Local, 27
- load carrier
  - BoxPick, 58, 243
  - compartment, 246
  - definition, 244
  - detection, 58
  - dimensions, 244
  - inner volume, 244
  - ItemPick, 58, 243
  - orientation prior, 244
  - pose, 244
  - rim, 244

- SilhouetteMatch, 58, 243
- load carrier detection, 58
- load carrier model, 243
- LoadCarrier, 58
  - filling level, 59
  - parameters, 61
  - return codes, 71
  - services, 63
- LoadCarrierDB, 243
  - return codes, 251
  - services, 248
- log files
  - download, 353
- logs
  - REST-API, 302

## M

- MAC address, 10
- MAC address, 26
- manual exposure, 35, 36, 38
- maximum
  - depth error, 50
  - exposure time, 37
- maximum depth error, 50
  - GenICam, 280
- maximum distance, 49
  - GenICam, 279
- mDNS, 10
- Measure, 53
  - parameters, 55
  - return codes, 58
  - services, 55
- mender
  - firmware, 351
- minimum
  - confidence, 50
- minimum confidence, 50
  - GenICam, 279
- minimum distance, 48
  - GenICam, 279
- monocalibration
  - camera calibration, 238
- motion blur, 37
- mounting, 20
  - hand-eye calibration, 202

## N

- network cable, 354
- network configuration, 25
- node
  - REST-API, 284
- Normal
  - auto exposure mode, 36
- NTP, 10
- NTP
  - synchronization, 347

## O

- object detection, 131, 168
- OPC UA, 346
- operating conditions, 17
- orientation prior
  - load carrier, 244
- OutHigh
  - auto exposure mode, 36

## P

- parameter
  - REST-API, 285
- parameters
  - camera, 31, 33
  - camera calibration, 239
  - disparity image, 44
  - hand-eye calibration, 212
  - services, 40
- pin assignments
  - Ethernet, 18
  - GPIO, 19
  - power, 19
- PixelFormat
  - GenICam, 273, 280
- point cloud, 43
  - download, 44
- portainer, 348
- pose
  - load carrier, 244
- pose estimation
  - AprilTag, 75
  - QR code, 75
- power
  - pin assignments, 19
- power cable, 354, 355
- power supply, 17, 355
- protection class, 17
- PTP
  - synchronization, 275, 347
- PtpEnable
  - GenICam, 275

## Q

- QR Code
  - return codes, 84
- QR code, 72
  - pose estimation, 75
  - re-identification, 76
  - services, 79
- quality
  - disparity image, 47
  - GenICam, 279

## R

- rc\_visard
  - components, 14
- RcExposureAutoAverageMax
  - GenICam, 278

- RcExposureAutoAverageMin
    - GenICam, 278
  - re-identification
    - AprilTag, 76
    - QR code, 76
  - reboot, 352
  - rectification, 30
  - reset, 23
  - resolution, 15
  - REST-API, 282
    - data model, 317
    - data-type, 317
    - entry point, 282
    - logs, 302
    - node, 284
    - parameter, 285
    - services, 285
    - status value, 284
    - system, 302
    - UserSpace, 299
    - version, 282
  - restore
    - settings, 350
  - return codes
    - AprilTag, 84
    - BoxPick, 128
    - CADMatch, 198
    - CollisionCheck, 232
    - GripperDB, 266
    - ItemPick, 102
    - LoadCarrier, 71
    - LoadCarrierDB, 251
    - Measure, 58
    - QR Code, 84
    - RoiDB, 258
    - SilhouetteMatch, 164
  - rim
    - load carrier, 244
  - robot frame
    - hand-eye calibration, 202
  - ROI, 251
  - RoiDB, 251
    - return codes, 258
    - services, 253
  - rollback
    - firmware, 352
- ## S
- Scan3dBaseline
    - GenICam, 276
  - Scan3dCoordinateOffset
    - GenICam, 276
  - Scan3dCoordinateScale
    - GenICam, 276
  - Scan3dDistanceUnit
    - GenICam, 275
  - Scan3dFocalLength
    - GenICam, 275
  - Scan3dInvalidDataFlag
    - GenICam, 276
  - Scan3dInvalidDataValue
    - GenICam, 276
  - Scan3dOutputMode
    - GenICam, 275
  - Scan3dPrinciplePointU
    - GenICam, 276
  - Scan3dPrinciplePointV
    - GenICam, 276
  - SDK, 10
  - segmentation, 50
    - GenICam, 279
  - self-calibration, 233
  - Semi-Global Matching, *see* SGM
  - serial number, 24, 26
  - services
    - AprilTag, 79
    - camera calibration, 239
    - parameters, 40
    - QR code, 79
    - REST-API, 285
    - tag detection, 79
  - set
    - time, 347
  - settings
    - backup, 350
    - download, 350
    - restore, 350
    - upload, 350
  - SGM, 10
  - SGM, 28, 42
  - silhouette, 131
  - SilhouetteMatch, 131
    - base-plane, 132
    - base-plane calibration, 132
    - collision check, 139
    - detection of objects, 136
    - filling level, 59
    - grasp points, 133
    - load carrier, 58, 243
    - object template, 133
    - parameters, 140
    - preferred orientation, 135
    - region of interest, 133, 251
    - return codes, 164
    - services, 146
    - sorting, 136
    - status, 146
    - template api, 165
    - template deletion, 165
    - template download, 165
    - template upload, 165
  - slot
    - hand-eye calibration, 209
  - smooth
    - disparity image, 49
    - GenICam, 279

- spare parts, [355](#)
- specifications
  - rc\_visard, [15](#)
- static\_scene
  - disparity image, [48](#)
  - GenICam, [279](#)
- status value
  - REST-API, [284](#)
- stereo calibration
  - camera calibration, [236](#)
- stereo camera, [30](#)
- stereo matching, [28](#)
- Swagger UI, [332](#)
- synchronization
  - NTP, [347](#)
  - PTP, [275](#), [347](#)
  - time, [275](#), [347](#)
- system
  - REST-API, [302](#)
- system ready
  - GenICam, [277](#)

## T

- tag detection, [72](#)
  - families, [73](#)
  - pose estimation, [75](#)
  - re-identification, [76](#)
  - services, [79](#)
- TCP, [10](#)
- temperature range, [17](#)
- texture, [42](#)
- time
  - set, [347](#)
  - synchronization, [275](#), [347](#)
- timestamp
  - GenICam, [281](#)
  - image, [44](#), [281](#)
- trigger activation
  - camera, [34](#)
- trigger source
  - camera, [34](#)
- tripod, [20](#)

## U

- update
  - firmware, [351](#)
- upload
  - settings, [350](#)
- URI, [10](#)
- URL, [10](#)
- UserSpace, [348](#)
  - disable, [348](#)
  - Docker network, [349](#)
  - enable, [348](#)
  - gRPC, [349](#)
  - installation, [348](#)
  - reset, [348](#)
  - REST-API, [299](#), [349](#)

- restrictions, [349](#)
- security, [348](#), [349](#)

## V

- version
  - firmware, [351](#)
  - REST-API, [282](#)

## W

- Web GUI, [269](#)
  - backup, [350](#)
  - camera, [31](#)
  - depth image, [44](#)
  - disparity image, [44](#)
  - logs, [353](#)
  - update, [351](#)
- white balance, [38](#), [39](#)
- Width
  - GenICam, [273](#)
- WidthMax
  - GenICam, [273](#)

## X

- XYZ+quaternion, [11](#)
- XYZABC, [11](#)

# roboception

## rc\_visard NG 3D Stereo Sensor

ASSEMBLY AND OPERATING MANUAL

### Roboception GmbH

Kaflerstrasse 2  
81241 Munich  
Germany

info@roboception.de  
www.roboception.com

**Tutorials:** <https://tutorials.roboception.com>  
**GitHub:** <https://github.com/roboception>  
**Documentation:** <https://doc.rc-visard.com>  
<https://doc.rc-viscore.com>  
<https://doc.rc-cube.com>  
<https://doc.rc-random.com>  
**Shop:** <https://roboception.com/shop>

### For customer support, contact

+49 89 889 50 790  
(09:00-17:00 CET)

support@roboception.de

